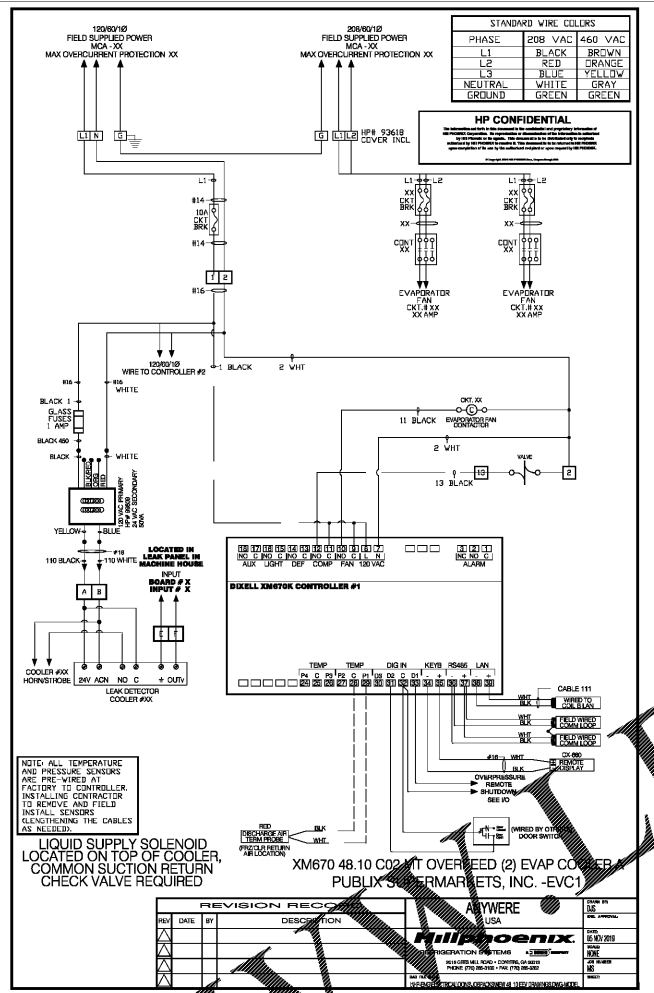
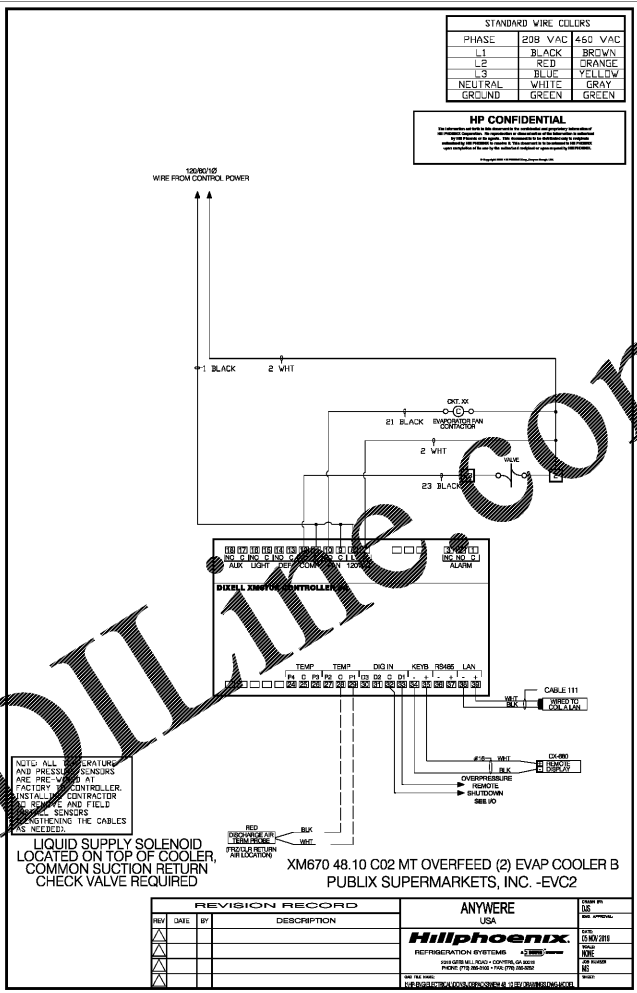


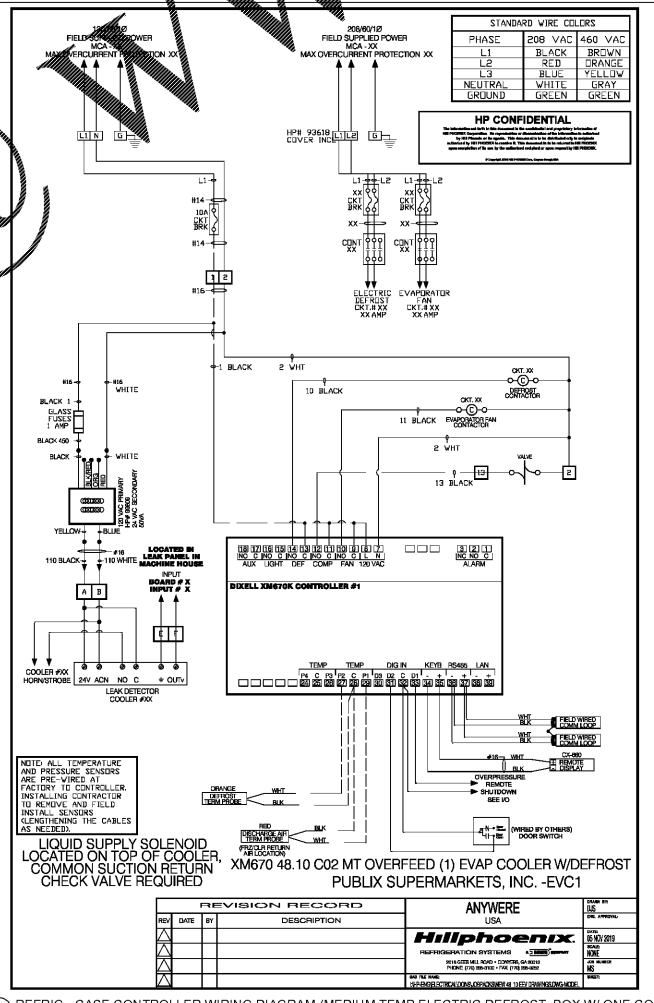
1 REFRIG - CASE CONTROLLER WIRING DIAGRAM (MEDIUM TEMP TIMED-OFF DEFROST, BOX W/ ONE COIL)  
SCALE: N.T.S.



2 REFRIG - CASE CONTROLLER WIRING DIAGRAM (MEDIUM TEMP TIMED-OFF DEFROST, BOX W/ TWO COILS)  
SCALE: N.T.S.



3 REFRIG - CASE CONTROLLER WIRING DIAGRAM (MEDIUM TEMP ELECTRIC DEFROST, BOX W/ ONE COIL)  
SCALE: N.T.S.



4 REFRIG - CASE CONTROLLER WIRING DIAGRAM (MEDIUM TEMP ELECTRIC DEFROST, BOX W/ ONE COIL)  
SCALE: N.T.S.

Order Plans @

20M  
EXPANDED  
RECEIVED: 09.14.18

CORPORATE OFFICES: FACILITIES DESIGN  
BOX 407, LAKELAND, FL 33802  
(888) 688-5255

PHYSICAL ADDRESS:  
3300 AIRPORT BL., LAKELAND, FL 33811

**Publix**  
SUPER MARKETS

FISHER AND ASSOCIATES, LLC.  
ARCHITECTS  
PLANNERS  
INTERIOR DESIGNERS  
235 BELLEAIR RD., CLEARWATER, FL 33764 727/444348

CASE CONTROLLER DETAILS (MEDIUM TEMP BOXES)  
EAST COBB PUBLIX - #1745  
EAST COBB CROSSING SHOPPING CENTER  
ROSEWELL ROAD  
MARIETTA, GA 30062

RELEASED FOR:  
BD  
PERMIT 07/16/20  
CONSTR.

REVISIONS:

--	--	--	--

GEORGIA  
Professional Engineer  
JOHN T. ALLEN  
ENGINEER No. 044831

**R-5.3**

Issue Date: 04-01-20  
Project No.: 220006

**Dwyer Engineering**  
522 Foli Evans Rd, Suite 200  
Leesburg, VA 20176  
www.dwyer.com  
GA COA #PEF 004622  
EXPIRES 06/30/2022

703-777-5388  
dwyr@dwyer.com  
publx@dwyer.com