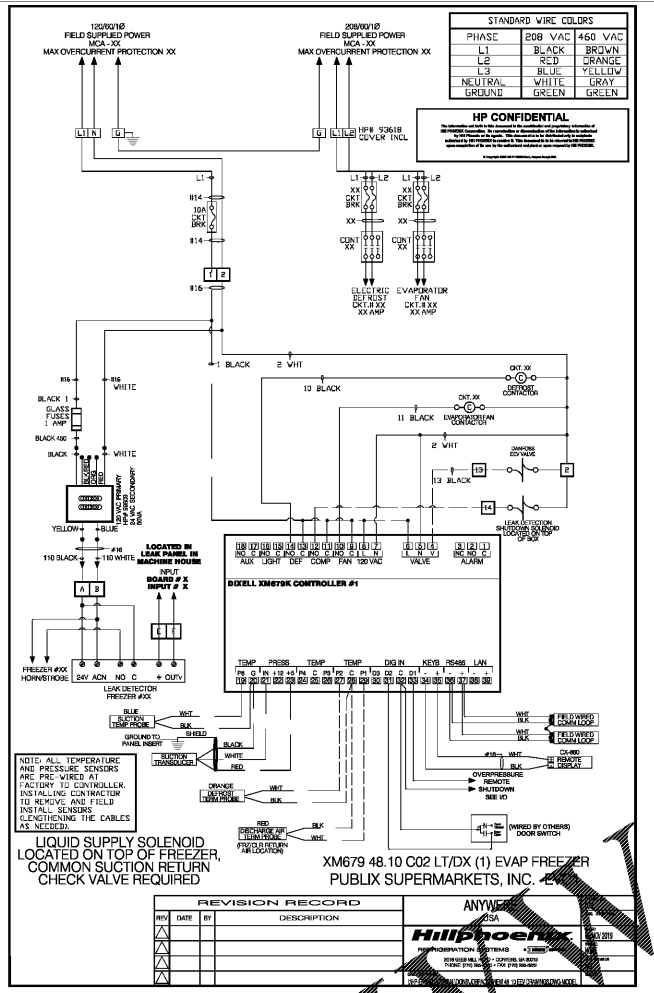
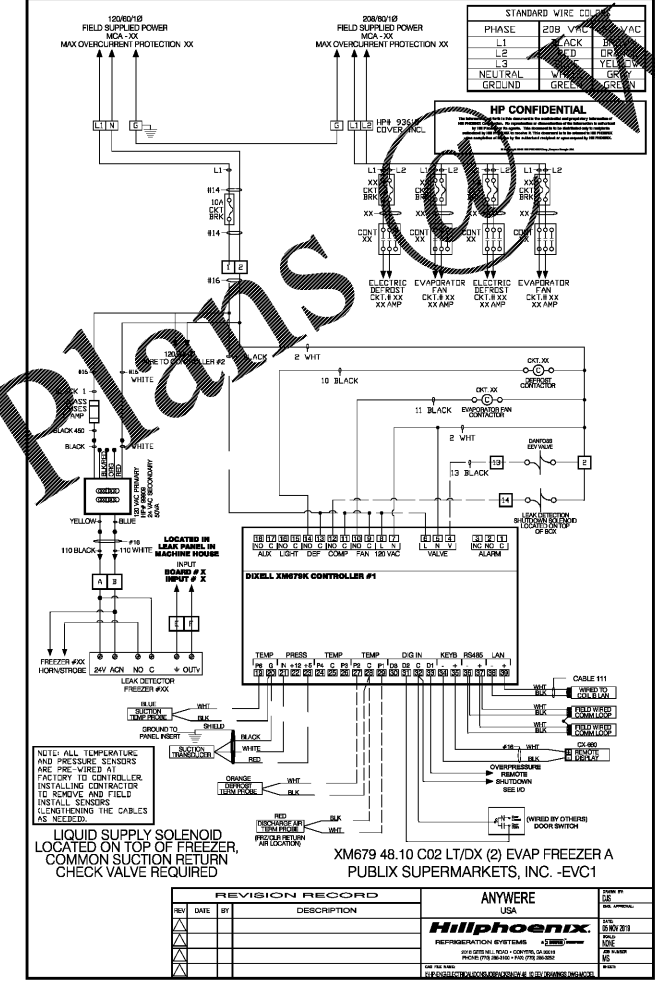


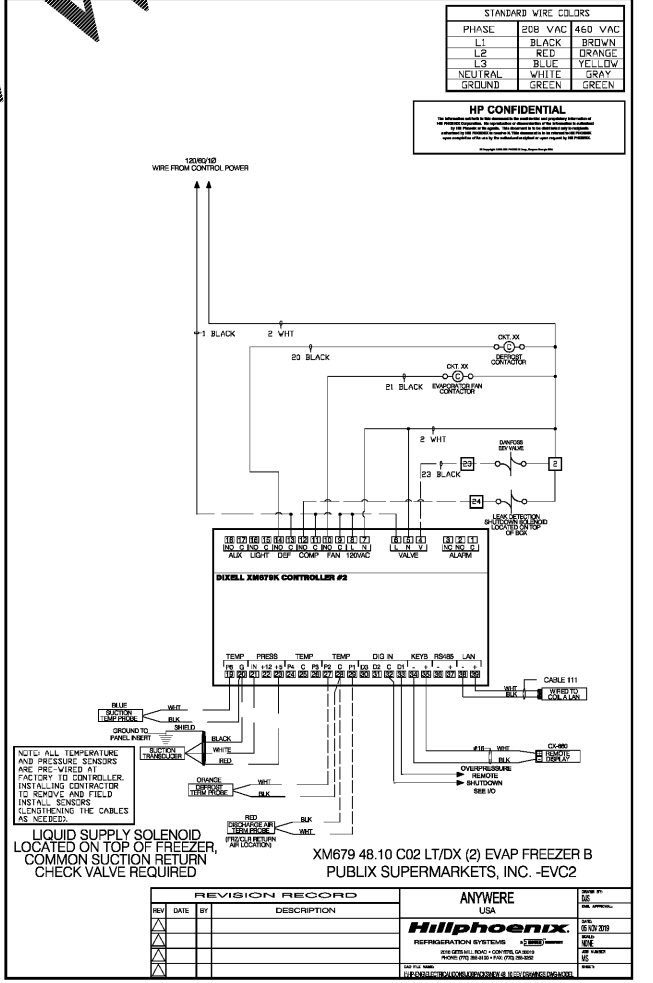
Order Plans



1 REFRIG - CASE CONTROLLER WIRING DIAGRAM (LOW TEMP ELECTRIC DEFROST, BOX W/ ONE COIL)  
SCALE N T S



2 REFRIG - CASE CONTROLLER WIRING DIAGRAM (LOW TEMP ELECTRIC DEFROST, BOX W/ TWO COILS)  
SCALE N T S



LDILine.com

PUBLIX PROTOTYPE  
BASED ON DESIGN  
**20M**  
EXPANDED  
RECEIVED: 09.14.18

CORPORATE OFFICES, FACILITIES DESIGN  
BOX 407, LAKELAND, FL 33802  
(863) 688-2525  
PHYSICAL ADDRESS:  
3300 AIRPORT BL., LAKELAND, FL 33811

**Publix**  
SUPER MARKETS

FISHER AND ASSOCIATES, LLC.  
ARCHITECTS  
PLANNERS  
INTERIOR DESIGNERS  
232 BELLEAIR RD., CLEARWATER, FL 33764 727/464468

CASE CONTROLLER DETAILS (LOW TEMP BOXES)  
EAST COBB PUBLIX - #1745  
EAST COBB CROSSING SHOPPING CENTER  
ROSEWELL ROAD  
MARIETTA, GA 30062

RELEASED FOR:  
BD  
PERMIT 07/16/20  
CONSTR.

REVISIONS:

NO.	DATE	DESCRIPTION



KEVIN T. ALLEN  
ENGINEER No. 044831

**R-5.2**

Issue Date: 04-01-20  
Project No.: 220006



552 Front Evans Rd, Suite 200  
Leesburg, VA 20176  
www.dwyer.com  
GA COA #PEF 004602  
EXPIRES 06/30/2022

753-777-5388  
publix@dwyer.com