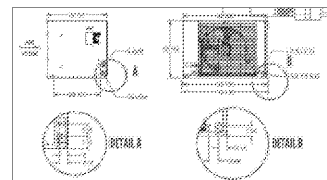
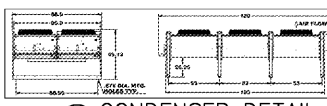


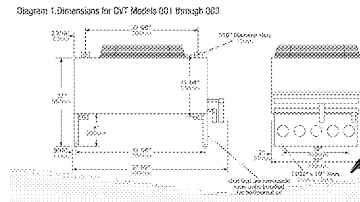
1 REFRIGERATION PARTIAL ROOF PLAN  
1/4" = 1'-0"



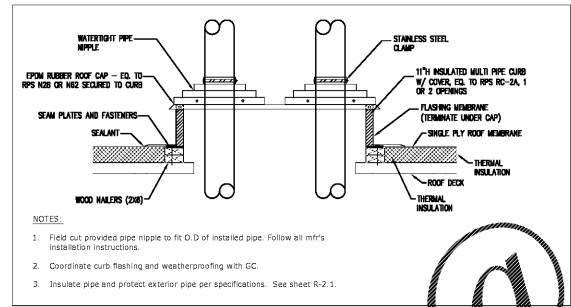
2 CONDENSING UNIT DETAIL  
N.T.S.



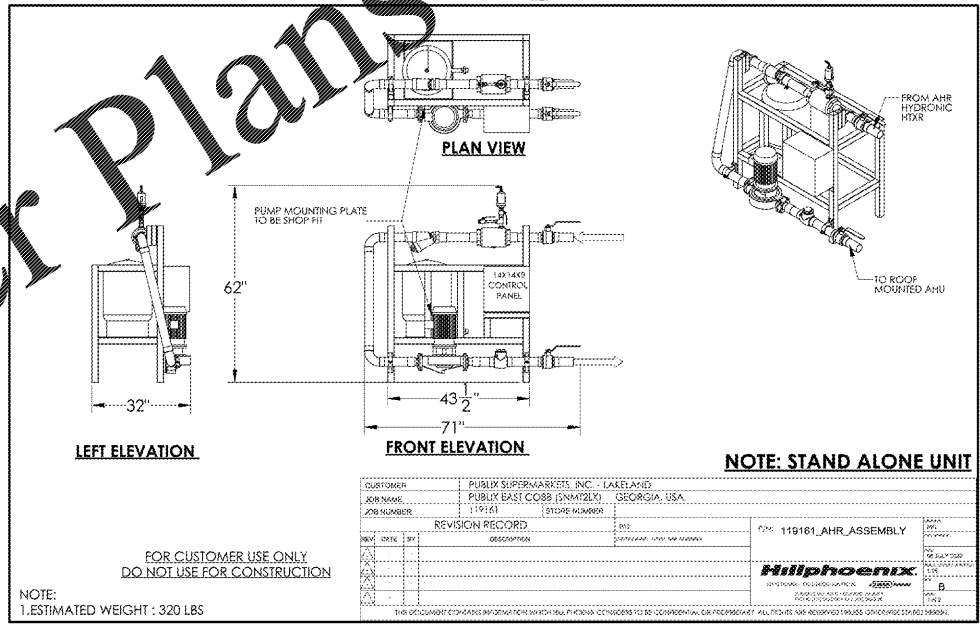
3 CONDENSER DETAIL  
N.T.S.



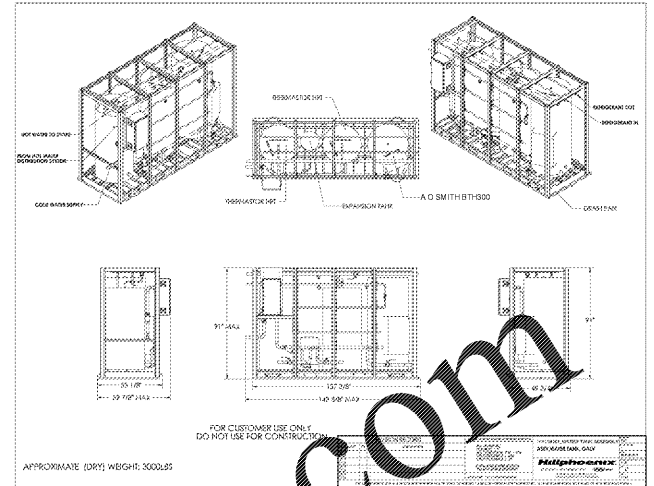
4 DVT-003 DETAIL  
N.T.S.



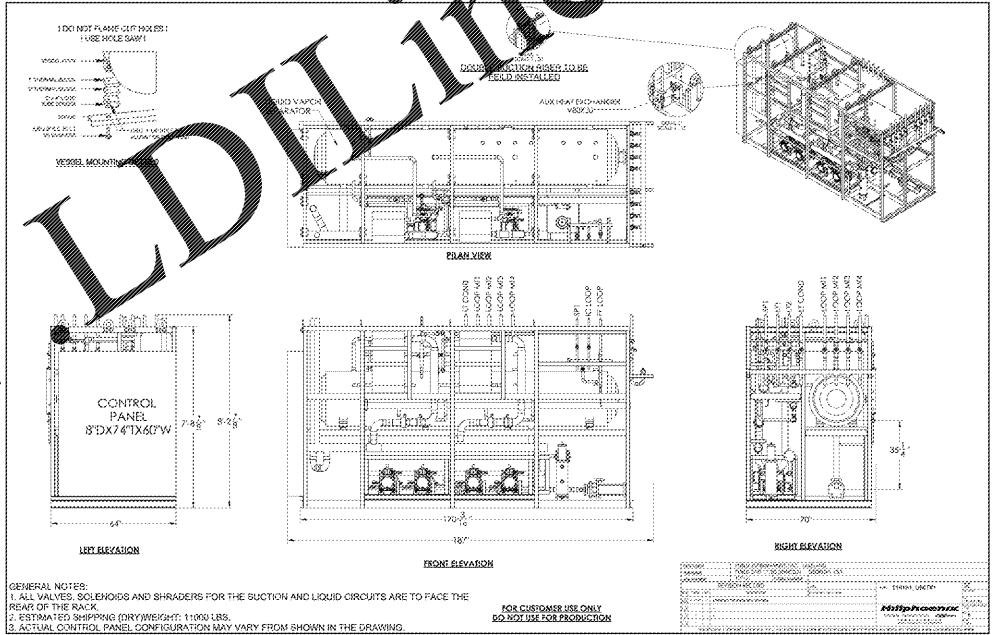
5 ROOF PENETRATION DETAIL  
N.T.S.



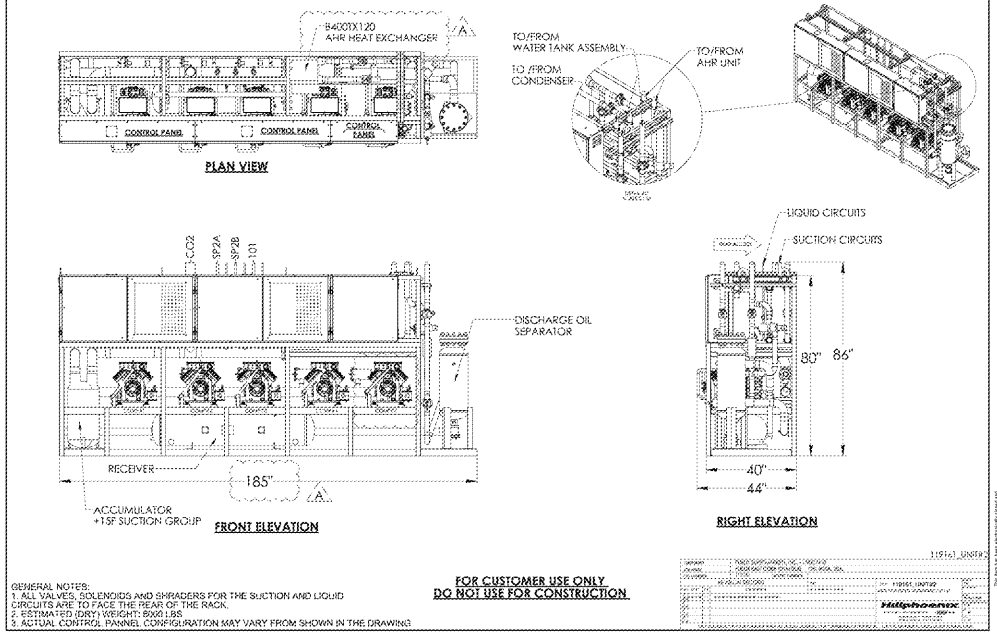
6 HILLPHOENIX AHR PUMP ASSEMBLY DETAIL  
N.T.S.



7 HILLPHOENIX WATER SKID DETAIL  
N.T.S.



8 HILLPHOENIX UNIT 1 DETAIL  
N.T.S.



9 HILLPHOENIX UNIT 2 DETAIL  
N.T.S.

**Dwyer Engineering**  
552 Fort Evans Rd, Suite 200  
Leesburg, VA 20176  
www.dwyer.com  
GA COA #PEF 004622  
EXPIRES 06/30/2022

703-777-5388  
dca  
publix@dwyer.com

**Publix SUPER MARKETS**

FISHER AND ASSOCIATES, LLC.  
ARCHITECTS  
PLANNERS  
INTERIOR DESIGNERS  
235 BELLAR RD. CLEWATER, FL 33744 727/444408

REFRIGERATION ROOF PLAN  
EAST COBB PUBLIX - #1745  
EAST COBB CROSSING SHOPPING CENTER  
ROSEWELL ROAD  
MARIETTA, GA 30062

RELEASED FOR:  
BD  
PERMIT  
CONSTR. 07/16/20

REVISIONS:

GEORGIA  
Professional Engineer  
JOHN T. ALLEN  
ENGINEER NO. 044831

R-4.1

Issue Date: 04-01-20  
Project No: 220006