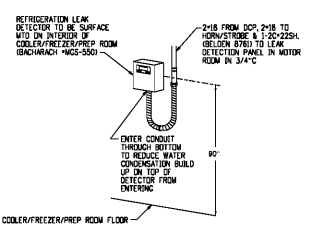
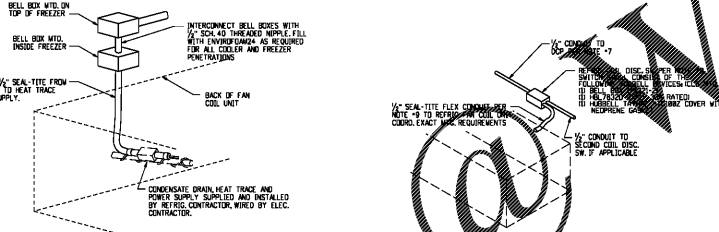


NOTE:  
 1. A MAXIMUM OF 31 DEVICES CAN BE WIRED TO A NETWORK CHANNEL (A OR B).  
 2. BOTH CHANNELS (A AND B) OF A COM NETWORK MUST BE CONFIGURED FOR THE SAME PROTOCOL (I/O NET, MODBUS, ETC.).

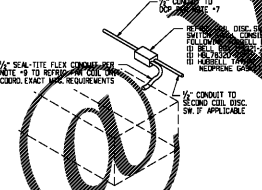
1 GENERAL NETWORK WIRING DIA.  
 N.T.S.



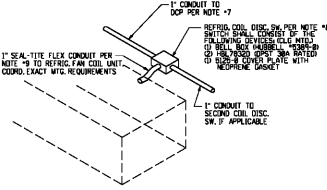
3 REFRIGERATION LEAK DETECTOR MTG.  
 N.T.S.



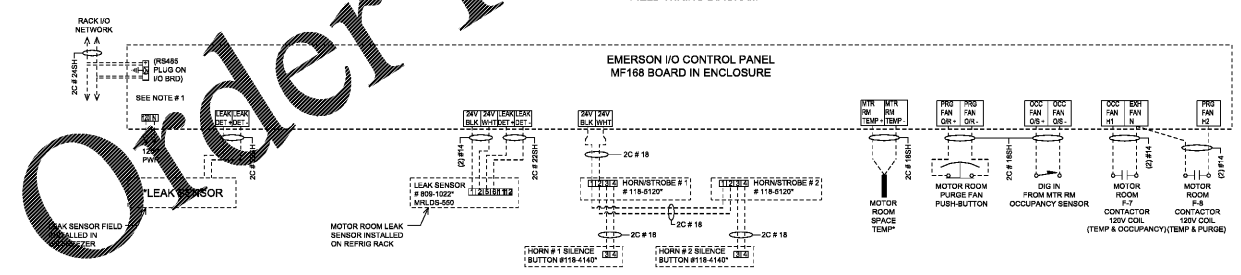
4 FRZR HEAT TRACE WIRING  
 N.T.S.



5 TYP. COOLER FAN COIL DISC. SW. (NO ELEC. DEFROST)  
 N.T.S.



6 TYP. FREEZER MEAT & CHICKEN COOLER DISC. SW. (W/ELEC. DEFROST)  
 N.T.S.



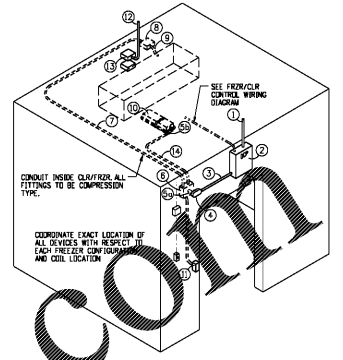
\*SUPPLIED BY EMERSON

8 LOW TEMP LEAK DETECTOR PANEL WIRING DIAGRAM  
 N.T.S.

NOTE #1: PANEL HAS TERMINAL PINS FOR 12 W/ LEAK DETECTORS PLUS 1 MOTOR ROOM LEAK DET. 1 SET OF 24V TERMINALS ARE PROVIDED PER 2 LEAK DETECTORS. LIMIT 3 HORN/STROBES PER SET.

COOLER/FREEZER POWER DIAGRAM

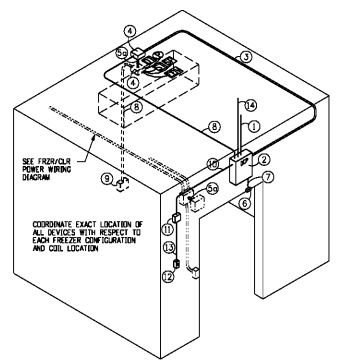
- APPLIES TO ALL COOLERS & FREEZERS:
- INSTALL 208V/1PH/3W AND 120V CIRCUIT FROM RESPECTIVE PANELS PER PER USE DWG. E-4a.
  - DEFROST CONTROL PANEL SUPPLIED BY OTHERS, INSTALLED BY ELECTRICAL. INSTALL AT LOCATION SHOWN ON REFRIGERATION PLAN R-11.
  - 2x1/8 FOR ELEC. DEFROST 2x1/2 FOR EVAP FANS 2x1/2 FOR LIGHTING AND POWERED IN TFC FROM SUPPLY OF CONTRACTORS TO BELL BOX.
  - CONTRACTOR TO PROVIDE AND INSTALL 1" LB. OUTSIDE OF COOLER/FREEZER AND INTERCONNECT WITH COOLER WALL MANUFACTURER INSTALLED 1/2" SDR PVC THREADED NIPPLE. 1" SDR40 PVC THREADED NIPPLE.
  - ELECTRICAL CONTRACTOR SHALL ENSURE ALL PENETRATIONS TO COOLERS AND FREEZERS INCURRED AS A RESULT OF ANY ELECTRICAL WORK SHALL BE SEALED WITH ENERGY-EXPANDING URETHANE FOAM BY DOW PER NEC 300.200.
  - SEAL-OFF MATERIAL SHALL BE INJECTED TO FILL ENTIRE NIPPLE SLEEVE.
  - SEAL-OFF MATERIAL SHALL BE INJECTED TO ENSURE ADEQUATE FILL OF CONDUIT APPROX. 8".
  - BELL BOX BY COOLER/FREEZER MANUFACTURER.
  - 208V/1PH & 120V/1PH TO RESPECTIVE DISC. SW. PER NOTE B. COORD. WITH SPEC. 2. FRICTION OF COOLER FOR EXACT REQUIREMENTS, DWG. E-4.
  - ELECTRICAL CONTRACTOR TO PROVIDE & INSTALL WEATHER PROOF BELL BOX USE PRECISION COILS OR ASSUMED BY DETAIL THIS SHEET. EACH COOLER/FREEZER AT CEILING FOR FAN, TAIL, CLN AND FAN AND DEFROST. FAN, TAIL, CLN AND COOLER CLEAR LOCATE BEHIND REAR OF EACH COOL AT 1" FROM WALL. INTERCONNECT BELL BOXES IN FREEZER/COOLERS WITH MULTIPLE COOLS.
  - 2x1/2-2x1/8 & 1/2" IN 2x1/2-1/2" FOR RESPECTIVE REFRIG. COIL. COORD. 2x1/2 FOR ELEC. DEFROST 2x1/2 FOR FANS.
  - TYP. COOLER LUMINAIRE SECURE MANUFACTURER PROVIDED IN PLAN SHEET. EACH COOLER/FREEZER AT CEILING FOR FAN, TAIL, CLN AND FAN AND DEFROST. FAN, TAIL, CLN AND COOLER CLEAR LOCATE BEHIND REAR OF EACH COOL AT 1" FROM WALL. INTERCONNECT BELL BOXES IN FREEZER/COOLERS WITH MULTIPLE COOLS.
  - LIGHT SWITCH BY ELECTRICAL CONTRACTOR.
  - 3x12-1/2" FROM PANEL OR PREVIOUS FREEZER FOR ADEQUATE DRAIN IN REAR OF COOLER. COORD. WITH MANUFACTURER'S DETAIL SHEET FOR EXACT REQUIREMENTS.
  - 2x1/2-1/2" FROM PANEL OR PREVIOUS FREEZER FOR ADEQUATE DRAIN IN REAR OF COOLER. COORD. WITH MANUFACTURER'S DETAIL SHEET FOR EXACT REQUIREMENTS.
  - 2x1/2-1/2" FROM PANEL OR PREVIOUS FREEZER FOR ADEQUATE DRAIN IN REAR OF COOLER. COORD. WITH MANUFACTURER'S DETAIL SHEET FOR EXACT REQUIREMENTS.



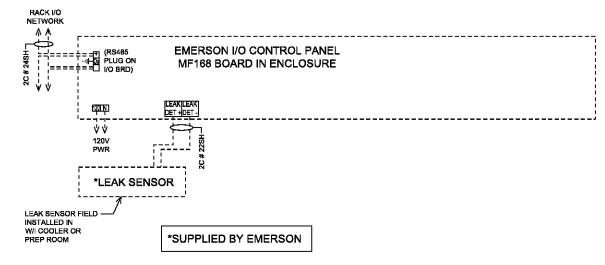
2 TYP. COOLER/FREEZER POWER DIAGRAM  
 N.T.S.

COOLER/FREEZER CONTROLS DIAGRAM

- APPLIES TO ALL COOLERS & FREEZERS:
- NETWORK LOOP CONSISTING OF 20-22SH FROM RESPECTIVE BACK CONTROLLER OF ADJACENT CONTROL BOARD COORD. WITH DWG. E-4a FOR SPECIFIC NETWORK LOOP AND WIRING CONDUCTORS SHALL BE PROPERLY SUPPORTED AND SECURED.
  - DEFROST CONTROL PANEL SUPPLIED BY OTHERS, INSTALLED BY ELECTRICAL. INSTALL AT LOCATION SHOWN ON REFRIGERATION PLAN R-11.
  - 1" CONDUIT FOR CONTROL CONDUCTORS TO BELL BOX ON TOP OF FREEZER OR COOLER COORD. WITH DWG. E-4a FOR SPECIFIC CONTROL DEVICE QTY. AND REQUIREMENTS.
  - CONTRACTOR TO PROVIDE AND INSTALL BELL BOX HARBELL #589-01 WITH BLANK COVER ON TOP OF COOLER/FREEZER AND INTERCONNECT WITH BELL BOX HARBELL #589-01 TO CEILING INSIDE FREEZER OR COOLER USING 1" SDR40 PVC THREADED NIPPLE.
  - ELECTRICAL CONTRACTOR SHALL ENSURE ALL PENETRATIONS TO COOLERS AND FREEZERS INCURRED AS A RESULT OF ANY ELECTRICAL WORK SHALL BE SEALED WITH ENERGY-EXPANDING URETHANE FOAM BY DOW PER NEC 300.200.
  - SEAL-OFF MATERIAL SHALL BE INJECTED TO FILL ENTIRE NIPPLE SLEEVE.
  - SEAL-OFF MATERIAL SHALL BE INJECTED TO ENSURE ADEQUATE FILL OF CONDUIT APPROX. 8".
  - MAGNETIC DOOR SWITCH SUPPLIED AND INSTALLED BY REFRIG. CONTRACTOR WIRED BY ELEC.
  - 20-22SH TO DOOR SWITCH CONNECT SWITCH IN SERIES FOR FREEZERS OR COOLERS WITH MULTIPLE DOORS EXCLUDING SW. SWING DOORS IN DOORWAY DOORS.
  - 2x1/8 FROM DCP 2x1/8 TO HORN/STROBE & 1-20-22SH BELDEN #8761 TO LEAK DETECTION PANEL IN MOTOR ROOM FROM 3/4" COIL INSIDE FREEZER/COOLER.
  - REFRIG. LEAK DETECTOR (LSD) HORN/STROBE #8761-500 FURNISHED BY OTHERS TO BE MTD. 8x7. SIZE E-4a FOR LOCATION USE MTD DETAIL THIS SHEET.
  - 2x1/8-1/2" FROM LEAK DETECTOR IN COOLER/FREEZER TO HORN STROBE.
  - ALARM HORN STROBE (HS) 1 EMC/R11-24VAC-METAL-STD MTD ON STRIKE SIDE OF DOOR.
  - ALARM HORN SILENCE BUTTON (HMB) 1 EMC/R11-24VAC-METAL-STD MTD ON STRIKE SIDE OF DOOR.
  - 2x1/8-1/2" FROM HORN STROBE TO SILENCE BUTTON.
  - 1-20-22SH BELDEN #8761 FROM LEAK DETECTOR & 1-20-18SH FROM EACH BELL CONTROL BOARD IN DOOR TO LEAK DETECTION PANEL IN MOTOR ROOM.



7 TYP. COOLER/FREEZER CONTROLS DIAGRAM  
 N.T.S.



\*SUPPLIED BY EMERSON

9 MEDIUM TEMP LEAK DETECTOR PANEL WIRING DIAGRAM  
 N.T.S.

NOTE #1: PANEL HAS TERMINAL PINS FOR 12 W/ LEAK DETECTORS PLUS 1 MOTOR ROOM LEAK DET. 1 SET OF 24V TERMINALS ARE PROVIDED PER 2 LEAK DETECTORS. LIMIT 3 HORN/STROBES PER SET.

PUBLIC PROTOTYPE BASIS OF DESIGN  
**20M**  
 EXPANDED RECEIVED: 08.14.18  
 CORPORATE OFFICES, FACILITIES DESIGN  
 BOX 407, LAKELAND, FL 33807  
 (850) 680-3995  
 PHYSICAL ADDRESS  
 1300 AIRPORT RD., LAKELAND, FL 33811  
**FISHER AND ASSOCIATES, LLC.**  
 ARCHITECTS  
 PLANNERS  
 INTERIOR DESIGNERS  
 605 BELLEAIR RD. CLEARWATER, FL 33764 727.446.4400  
**ELECTRICAL REFRIGERATION DETAILS**  
**EAST COBB PUBLIX - #1745**  
**EAST COBB CROSSING SHOPPING CENTER**  
 ROSEWELL ROAD  
 MARIETTA, GA 30062  
 RELEASED FOR:  
 BID  
 PERMIT 07/16/20  
 CONSTR.  
 REVISIONS:  
 HANDLE A 9011  
 GEORGIA P.E. #92798  
**E-4b**  
 Issue Date: 04-01-20  
 Project No.: 220036