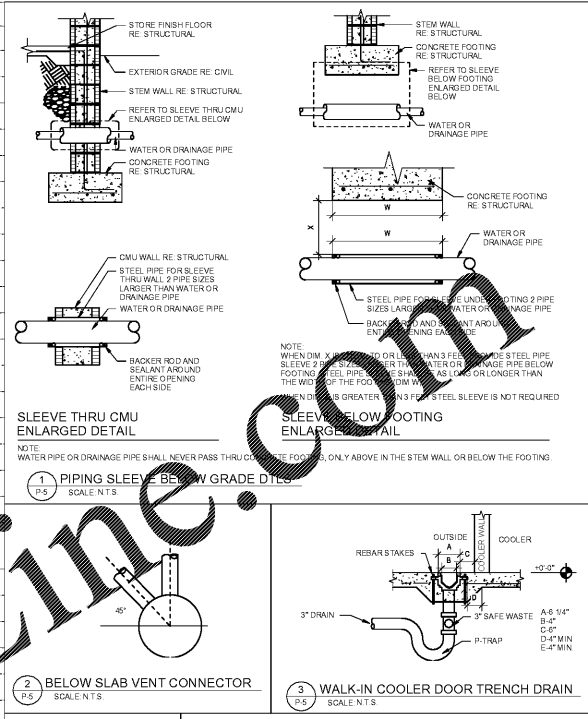
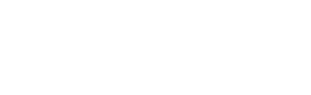
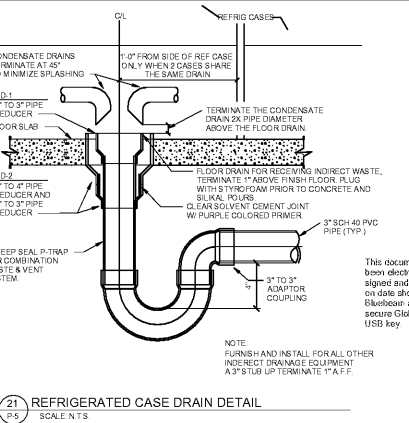
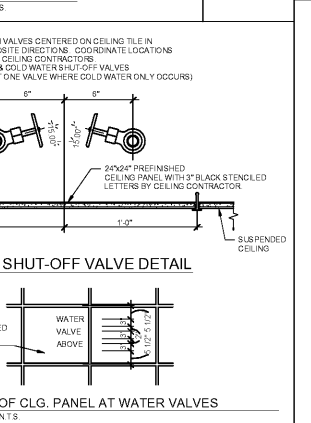
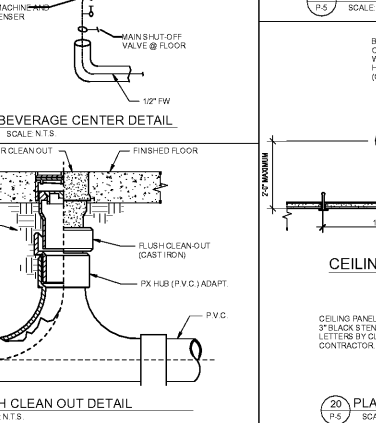
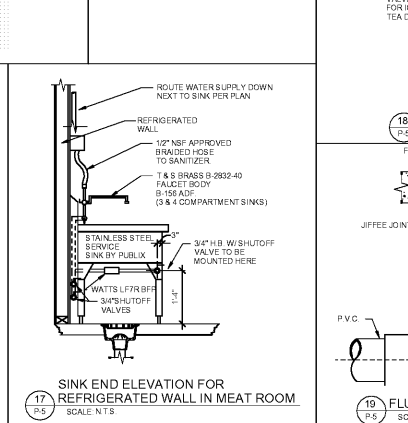
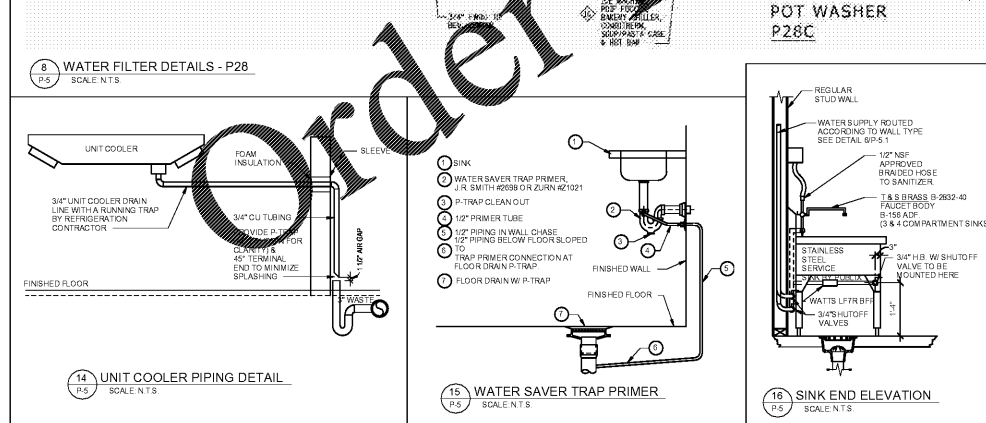
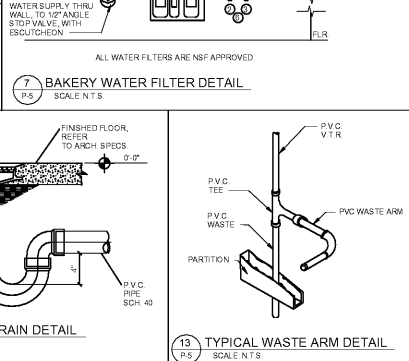
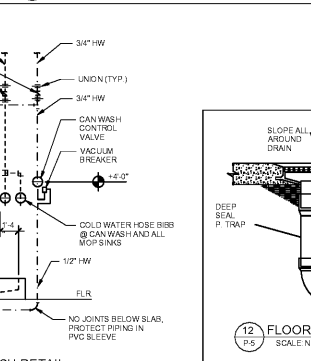
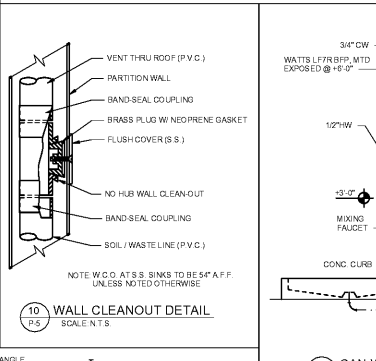
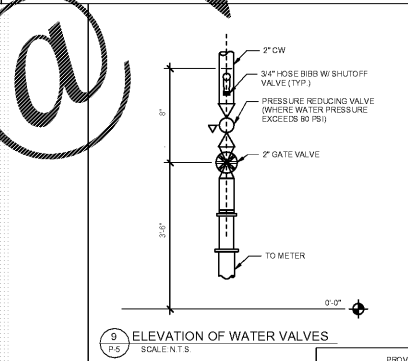
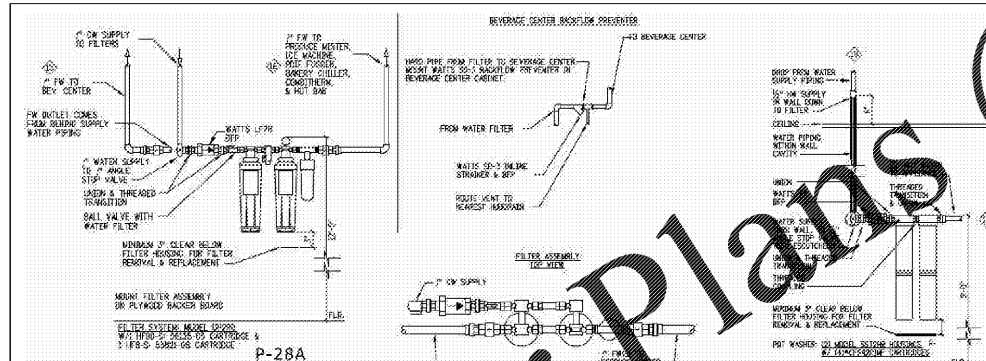
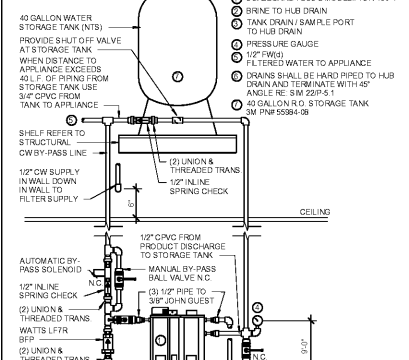
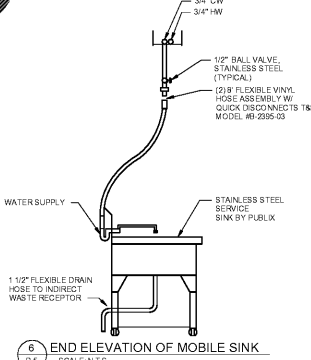
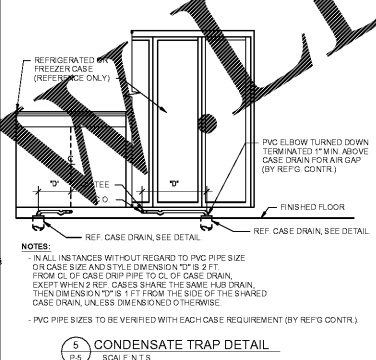
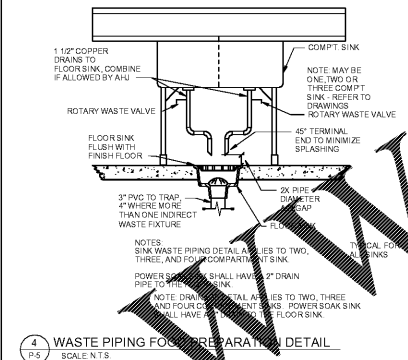


ALL FIXTURES SHALL BE INSTALLED BY PLUMBER, UNLESS OTHERWISE NOTED															
MARK	DESCRIPTION	CW	FW	HW	DRAIN	GPF	Volts	MANUFACTURER	MODEL	MODEL - SLOAN	MODEL - ZURN	VALVE	MOUNTING	ACCESSORIES	SUPPLIED BY
P-1	Water Closet - Standard	1"		4"	4"	1.28		American Standard	Madera 2344.001 Fl/W/Se Eveclean	111-1.28 FLUSH VALVE	Z6000AV-HET Flush Valve	Floor Mounted, +15" AFF to Seat	Olsonite 855SCT Or Bemis 85CT Extra HD White Seat, 481310-100 Bolt Caps	PLUMBER	
P-2	Water Closet - ADA Compliant	1"		4"	4"	1.28		American Standard	Madera 3463.001 Fl/W/Se Eveclean	111-1.28 FLUSH VALVE	Z6000AV-HET Flush Valve	Floor Mounted, +17" AFF to Seat	Olsonite 855SCT Or Bemis 85CT Extra HD White Seat, 481310-100 Bolt Caps	PLUMBER	
P-3	Urinal	3/4"		2"	2"	0.125		American Standard	Washbrook 6590.525	WELUS1000.1403-0.13 w/Royal OPTIMA Flushometer	COMN-FLO Z5755-U W/ ZER8003AV-UF-CP	Electronic, hands free, battery powered flush valve	Wall Mounted, 17" To Rim if ADA clearance shown	PLUMBER	
P-4	Lavatory	3/8"	3/8"	1 1/4"		120 V		American Standard	Murry 0855.011EC	EFX-200.603.0010		Wall Mounted, 34" to Rim	Z1021 TRAP PRIMER, ZW3870XL T Mixing Valve Set At 110F, Knee Guard 0266.02	PLUMBER	
P-5	Lavatory	3/8"	3/8"	2"		120 V		American Standard	Corian Sink 810	EFX-200.603.0010		Wall Mounted, 33-1/2" to Rim	Z1021 TRAP PRIMER, Zurn ZW3870XL Trailing valve, set faucet to 10 second dispense time, angle stops	Counter by GC, Valves and Accessories by PLUMBER	
P-7	Hand Sink	1/2"	1/2"	1 1/4"				Elkay Manufacturing	CHS 1716 LRS4			Wall Mounted	ZW3870XL T Mixing Valve Set At 110F, LK-8 drain angle stops	PLUMBER	
P-8.1	One Compartment Sinks	1/2"	1/2"	1 1/2"								Wall Mounted	Fisher Drain King Waste Valve #65576 WVR Flat Strainer	Sink by PUBLX, Valves, Hardware and install by PLUMBER	
P-8.2	Two Compartment Sinks	1/2"	1/2"	1 1/2"								Wall Mounted	Fisher Drain King Waste Valve #65576 WVR Flat Strainer	Sink by PUBLX, Valves, hardware and install by PLUMBER	
P-8.3	Three Compartment Sink	1/2"	1/2"	1 1/2"								Wall Mounted	Fisher Drain King Waste Valve #65576 WVR Flat Strainer	Sink by PUBLX, Valves And All Hardware By PLUMBER	
P-10	Countertop with Sink	1/2"	1/2"	1 1/4"				Elkay Manufacturing	L-RAD-1720553			Countertop	ZW3870XL T Mixing Valve Set At 110F, LKAD-35 Drain Trap W/Cleanout, Riser Stops, 1.0 GPM Aerator	PLUMBER	
P-11	Self Rimming 12x10x6 SS Sink	3/8"	3/8"	1 1/4"				Elkay Manufacturing	BCR-16-2-SS 12x10 Self Rimming			Countertop, self-rimming	T&S Brass 8-482, Chicago #665-317ABCP Or Fisher #92260 Deck Mount, 4" Center, 12" Right Goose-neck, 4" Wrist Handled, 1 Gpm Aerator	PLUMBER	
P-12	Three Compartment Mobile Prep Sink	1/2"	1/2"	1 1/2"								Floor		Sink by PUBLX, Valves, Hardware and install by PLUMBER	
P-13/14/17									SEE DETAIL 12 ON P-5.2					Supplied by HILL PHENIX, install by PLUMBER	
P-15	Water Hydrant - Cold Water	3/4"						JR Smith	5519-SAP			Recessed, Select length with additional 2" for wall clamp to secure hydrant	Locking Cover	PLUMBER	
P-16	Water Hydrant - Tempered Water	3/4"		3/4"				JR Smith	5560 QT-SAP			Recessed (verify wall thickness, available in 2" increments, add 2" for wall clamp)	Locking Cover	PLUMBER	
P-18	Water Cooler - ADA with Bottle Filler	3/8"		1 1/4"				Oasis International	PG8BF			Wall Mounted at ADA height (33" to orifice)	Bottle Filler (NOT glass filler) ALTERNATE: Elkay Manufacturing L259VSLP bottle filler	PLUMBER	
P-19	Water Cooler - Standard Height	3/8"		1 1/4"				Oasis International	PG8AC			Wall Mounted at standard height (37" to rim)	ALTERNATE: ELKAY MODEL LZ5FL8VSLK	PLUMBER	
P-20	Hot/Cold Ice Maker	1/2"		5"				Hoshizaki America Inc						PUBLX	
P-23	Can Wash Mop Basin	1/2"	1/2"	3"				Smith	2896	Z1982-31	T&S BRASS Model #8-465-BSTR Wash Valve #8-1025-1 or CHICAGO #897CP or FISHER #8021 Service Sink Faucet, Economic Style With Long Spout and Vacuum Breaker, 1/2" Inlet Polished Chrome W/ Concealed Single Control Valve Model #13876 W/ Cross Handle	Floor Mounted	Z982-31 Drain in Center (or Smith 2890), Prokaster SS Bucket, SS Mesh Liner, Watts 293 Vacuum Breaker	PLUMBER	
P-28	Water Filter	VARIABLES							SEE DETAILS 1 AND 2 ON P-5.1					PLUMBER	
P-30CW	Hose Bibb - Cold Water	1/2"						JR Smith	560-11			Surface	External Vacuum Breaker listed to ASSE 1011	PLUMBER	
P-30HW	Hose Bibb - Hot Water	1/2"						JR Smith	560-11			Surface	External Vacuum Breaker listed to ASSE 1011	PLUMBER	
P-33	Lustrone Single Bowl Sink	1/2"	1/2"	1 1/2"				Elkay Manufacturing	Lustrone EL11H16HDFG	SF-2200 goose-neck faucet		Surface	ZW 1070 XL mixing valve, Below deck Zurn tempering	PLUMBER	
P-35	Pan Washer		1/2"	1 1/2"				LVO Manufacturing	FL-10			Surface	7" HX 18" Pan Washer, 3/4" Hose, Engine - 3/4HP Vacuum Breaker, 1/2" Inlet element, OEM exhaust fan and drain line terminate	Machine by PLUMBER, Valves and install by PUBLX	
P-48	Combi Therm Oven	3/4"	3/4"			208 V		Alo Shaam	CTPT-20E COMBI ELECTRIC					PUBLX	

MARK	W/FU	ZURN	SMITH	PLASTIC ODDITIES	SERVES	DESCRIPTION	TRAP/DRAIN NOTES
CO-1	0.5	ZN-1400-Z	4180		CASE CONDENSATE	4" CASE DRAIN US PLASTICS 4X3 PVC REDUCER	CHARLOTTE 706-X P-TRAP
CO-1	0	ZN-1400-Z	4180		TERRAZZO AREAS	FLOOR CLEAN OUT, POLISHED NICKEL BRONZE TOP	
CO-2	0	Z-1400-HD or ZS-1400-HD	4237		HEAVY LOAD TRAFFIC AREAS OUTDOOR CONCRETE	FLOOR CLEAN OUT, CAST IRON OR SS ADJUSTABLE TOP	
CO-3	0	ZN-1400-HD OR ZS-1400-HD	4031-NB		TILE AREAS AND SMOOTH CONCRETE INDOORS	FLOOR CLEAN OUT, NICKEL BRONZE VENEER, HEAVY DUTY COVER OR STAINLESS STEEL	
D-1	5	Z-509-P-S-Y	2146-FBS-M-SSB		CAN WASH, BACK DOOR	12" DIA FLOOR DRAIN, CAST IRON GRATE, SHALLOW BODY	TRAP PRIMER OR TRAPGUARD IN BACK AREAS AND MECHANICAL ROOMS REQUIRED
D-2	5	ZN-541-P-S-Y	2233-NB-SSB-P		PREP AREAS	12" DIA FLOOR DRAIN, NICKEL BRONZE GRATE, SHALLOW BODY	TRAP PRIMER OR TRAPGUARD REQUIRED
D-3	5	ZN-415B-P	2010-NB-PO50		TOILET ROOMS	6" DIA FLOOR DRAIN, NICKEL BRONZE GRATE	TRAP PRIMER OR TRAPGUARD REQUIRED
D-4	5	ZN-415P			BAKERY OVENS	6" DIA FLOOR DRAIN, NICKEL BRONZE GRATE	TRAP PRIMER OR TRAPGUARD REQUIRED
FS-1	5	FD-239-DS-H-Y	305-H03-12-14	RBH-300 H	12" SQ. FLOOR SINK, PVC, DOME STRAINER 1/2" GRATE, SEDIMENT BUCKET, SQUARE		
FS-2	5	ZN-1050-2-23-31	3081-12-FBS		12" DIA CAST IRON 8" DEEP, 1/2" GRATE, ABS DOME SECONDARY STRAINER, ROUND		
TD-1,2	6	Z-886-DB-DG	DRAIN #6930 GRATE #6870-481M		TRASH COMPACTOR	6" WIDE, 2 FEET LONG TRENCH DRAIN W/ DUCTILE IRON GRATE	
TD-1,6	6	Z-886-DB-FS	DRAIN #6930 GRATE #6870-4595S		WALK IN COOLERS	6" WIDE, 4" 6" LONG TRENCH DRAIN W/ STAINLESS STEEL GRATE	



**Publix SUPER MARKETS**

**FISHER AND ASSOCIATES, L.L.C.**  
ARCHITECTS  
PLANNERS  
INTERIOR DESIGNERS  
235 BELLEMEAD CLEWATER FL 33744 727/444348

RELEASED FOR:  
BD: 07/16/20  
PERMIT CONSTR.  
REVISIONS:

**DWYER ENGINEERING**  
552 Fort Evans Rd, Suite 200  
Leesburg, VA 20176  
www.dwyer.com  
GA COA #PEF 004022  
EXPIRES 06/30/2022

753-777-5398  
dwyr@dwyer.com

Issue Date: 04-01-20  
Project No: 220006