

AIR DEVICE SCHEDULE														
MARK	MANUFACTURER	MODEL	SERVICE	NECK SIZE (IN.)	MODULE SIZE	MAX. AIRFLOW RATE (CFM)	STATIC PRESSURE DROP (IN H2O)	THROW @50 FPM (FT)	MAXIMUM NC RATING	PATTERN	THROW DIRECTION	MATERIAL	BORDER SURFACE	NOTES
A	NAILOR	6145H-HD-AL	EXHAUST	8"Ø	12"x12"	300	0.02	--	--	--	--	ALUMINUM	SURFACE	1-5

NOTES:
 1. BORDER TYPES SHALL BE COMPATIBLE WITH ARCHITECTURAL CEILING TYPE FOR THE ROOM IN WHICH THE AIR DEVICE IS LOCATED.
 2. SEE HVAC PLANS FOR LOCATION AND AIR QUANTITIES OF EACH AIR DEVICE.
 3. ALL AIR DEVICES SHALL BE TESTED IN ACCORDANCE WITH ASHRAE STANDARD 70-91.
 4. NC VALUES ARE BASED UPON A 10 dB ROOM ATTENUATION.
 5. OWNER PROVIDED AND CONTRACTOR INSTALLED. REFER TO SPECIFICATIONS

SPECIALTY PLUMBING FIXTURE SCHEDULE			
MARK	FIXTURE	MANUFACTURER	DESCRIPTION
CO-1	EXTERIOR CLEANOUT	JAY R. SMITH	4250 HEAVY DUTY DURACOAT CAST IRON BODY WITH DOUBLE FLANGE HOUSING AND SCORATED CAST IRON COVER WITH LIFTING DEVICE SECURED WITH COUNTERSUNK SCREWS.
CO-2	INTERIOR CLEANOUT	JAY R. SMITH	4221 LINE TYPE WITH LACQUERED CAST IRON BODY AND ROUND EPOXY COATED GASKETED COVER, AND ROUND STAINLESS STEEL ACCESS COVER SECURED WITH MACHINE SCREW.

NOTES:
 1. NOT ALL FIXTURES LISTED MAY BE USED ON PLANS
 2. ALL FLOOR DRAINS, FLOOR SINKS, AND ROOF DRAINS SHALL BE PROVIDED AND INSTALLED BY THE PLUMBING CONTRACTOR.
 3. SEE SPECIFICATION SECTION SHEET M1.

LOUVER SCHEDULE										
MARK	MANUFACTURER	MODEL	LOCATION	NECK SIZE (IN.)	TYPE	MAX. AIRFLOW RATE (CFM)	STATIC PRESSURE DROP (IN H2O)	FREE AREA (SQ. FT.)	AIR VELOCITY	NOTES
OAL-1	NAILOR	1906DAF	SERVICE BAY	30"x30"	DRAINABLE	1700	0.08	2.72	625	1-2

1. PROVIDE WITH ALUMINUM BIRD SCREEN.
 2. PROVIDE WITH KYNAR/HAR (70% PVDF) FINISH; COLOR TO BE SELECTED BY ARCHITECT.

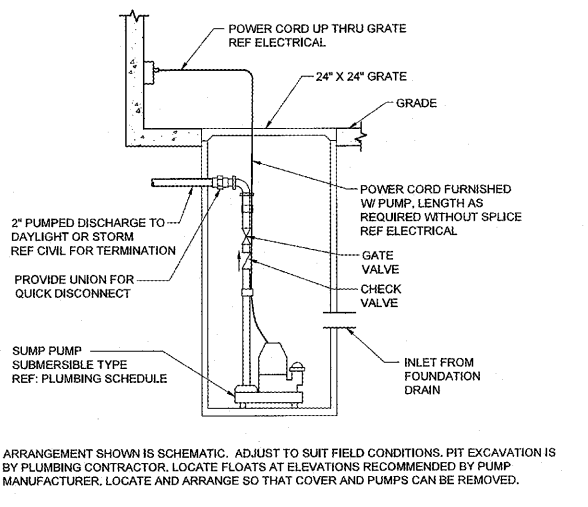
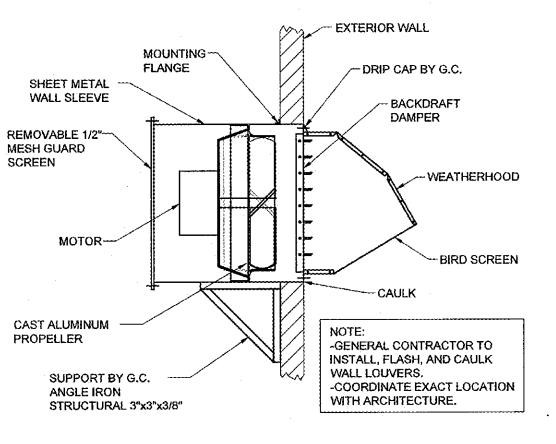
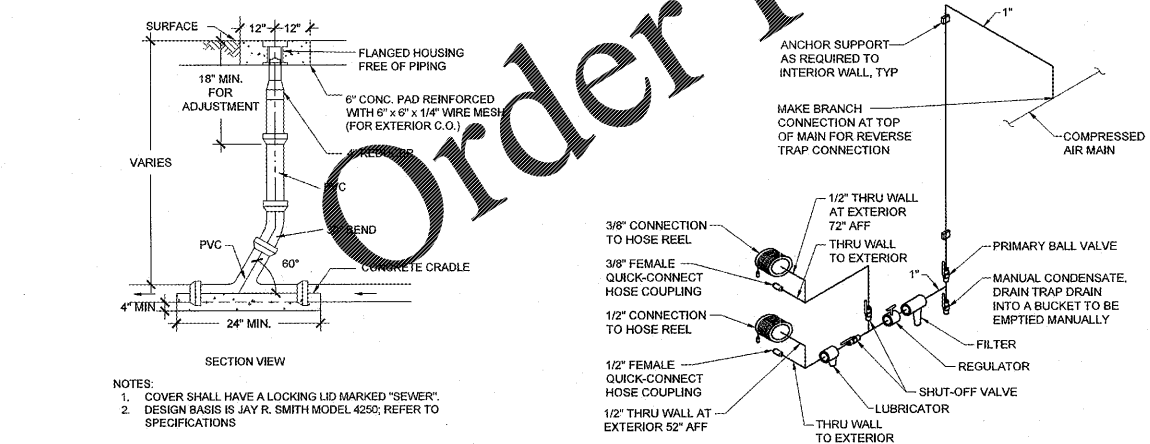
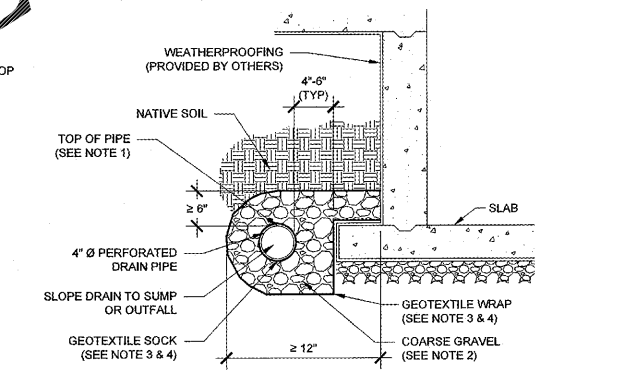
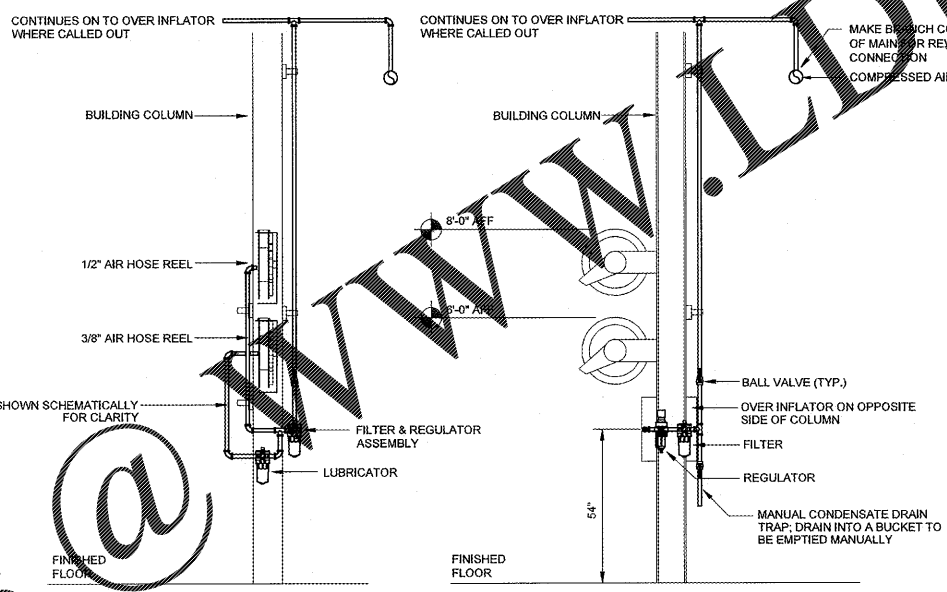
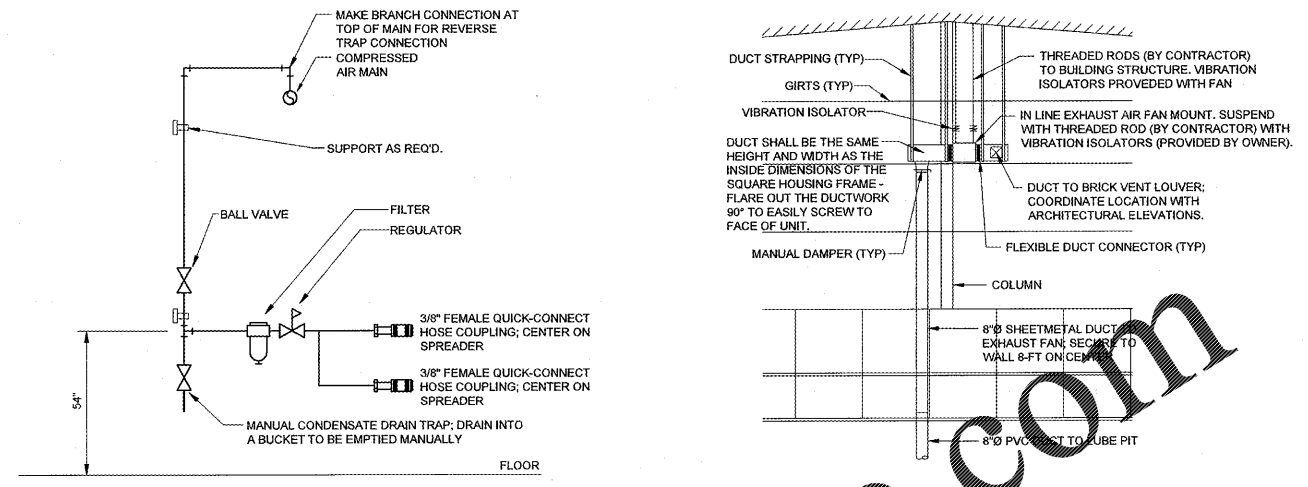
FAN SCHEDULE									
MARK	AREA SERVED	MANU.	MODEL	FAN			ELEC.		NOTES
				CFM	RPM	ESP	V/PH/Hz	HP	
EF1	MECHANIC'S BAY	DAYTON	10D968	4240	1750	0.125	120/1/60	3/4	A, C
EF2	MECHANIC'S BAY	DAYTON	10D968	4240	1750	0.125	120/1/60	3/4	A, C
EF3	LUBE PIT	PENNBARRY	SX085RCGP	500	1550	0.4	120/1/60	1/8	C, D, E, F

GENERAL INFORMATION:
 1. UNITS PROVIDED BY OWNER, INSTALLED BY CONTRACTOR.

NOTES:
 A. FAN SHALL BE SWITCHED. REF ELEC.
 B. PROVIDE MANUFACTURER INTEGRAL DISCONNECT, GRAVITY BACKDRAFT DAMPER, AND BIRD SCREEN.
 C. PROVIDE MANUFACTURER INTEGRAL DISCONNECT, GRAVITY BACKDRAFT DAMPER, BIRD SCREEN, AND WEATHER HOOD.
 D. PROVIDE WITH PLUG TYPE DISCONNECT
 E. WIRE TO RUN CONTINUOUS
 F. PROVIDE WITH 12" X 12" BRICK VENT

PUMP SCHEDULE								
MARK	MANUFACTURER/ MODEL	TYPE	WORKING FLUID	GPM	DISCHARGE PRESSURE (FT)	MOTOR HP	ELEC VOL/1/PH	NOTES
SP-1	ZOELLER MIGHTY MATE 53	SUBMERSIBLE SUMP PUMP	OIL/WATER	10	17	1/3	115/1	1

NOTES:
 1. PROVIDE WITH DISCHARGE CHECK VALVE AND DECOUPLING UNION.
 2. OWNER PROVIDED AND CONTRACTOR INSTALLED



EACH SUBCONTRACTOR IS RESPONSIBLE FOR HAVING A THOROUGH KNOWLEDGE OF ALL DRAWINGS AND SPECIFICATIONS IN THEIR RELATED FIELD. THE FAILURE TO ACQUAINT HIMSELF WITH THIS KNOWLEDGE DOES NOT RELIEVE THE RESPONSIBILITY OF PERFORMING HIS WORK PROPERLY. NO ADDITIONAL COMPENSATION SHALL BE ALLOWED BECAUSE OF CONDITIONS THAT OCCUR DUE TO FAILURE TO FAMILIARIZE WORKERS WITH THIS KNOWLEDGE.

HFA
HARRISON FRENCH & ASSOCIATES, LTD.
 1705 S. Walton Blvd., Suite 3
 Bentonville, Arkansas 72712
 t 479.273.7780
 f 888.520.9685
 www.hfa-ac.com

STIPULATION FOR REUSE
 THIS DRAWING WAS PREPARED FOR THE USE OF THE PROJECT AND SITE SPECIFICALLY IDENTIFIED HEREIN. IT IS NOT TO BE REUSED FOR ANY OTHER PROJECT WITHOUT THE WRITTEN PERMISSION OF HARRISON FRENCH & ASSOCIATES, LTD. ANY REUSE OF THIS DRAWING FOR ANY OTHER PROJECT WITHOUT THE WRITTEN PERMISSION OF HARRISON FRENCH & ASSOCIATES, LTD. IS PROHIBITED.

200 S KINGS HWY
 FORT PIERCE, FL 34945
 SPEEDCO REBRANDING &
 LIGHT MECHANICAL ADDITION
 PROJECT NUMBER: 03-19-60467

Loves
 Travel Stop &
 Country Stores

PROFESSIONAL ENGINEER
 GREG SCHLUTERMAN, F.E.
 License #7212
 STATE OF FLORIDA
 MAY 15 2019

Greg Schluterman, F.E.
 License #7212
 Harrison French &
 Associates, LTD
 C.O.# 65421

ISSUE BLOCK	

STORE NO.	487
DOCUMENT DATE:	05/14/19
CHECKED BY:	JKR
DRAWN BY:	PRC
PROTO CYCLE:	

MECHANICAL
 DETAILS &
 SCHEDULES

SHEET:
YM3.0

May 15, 2019 8:08am - User: pellex@championh.com
 R:\2019\19-60467 Loves - F1 Pierce, FL 487\CD\CS\MEP\315\YM3.0_487.dwg