

STIPULATION FOR REUSE
THIS DOCUMENT IS THE PROPERTY OF HARRISON FRENCH & ASSOCIATES, LTD. IT IS TO BE USED ONLY FOR THE PROJECT AND SITE SPECIFICALLY IDENTIFIED HEREIN. IT IS NOT TO BE REPRODUCED, COPIED, OR TRANSMITTED IN ANY FORM OR BY ANY MEANS, ELECTRONIC OR MECHANICAL, INCLUDING PHOTOCOPYING, RECORDING, OR BY ANY INFORMATION STORAGE AND RETRIEVAL SYSTEM, WITHOUT THE WRITTEN PERMISSION OF HARRISON FRENCH & ASSOCIATES, LTD.

200 S KINGS HWY
FORT PIERCE, FL 34945

SPEEDCO REBRANDING &
LIGHT MECHANICAL ADDITION

PROJECT NUMBER: 03-19-0467

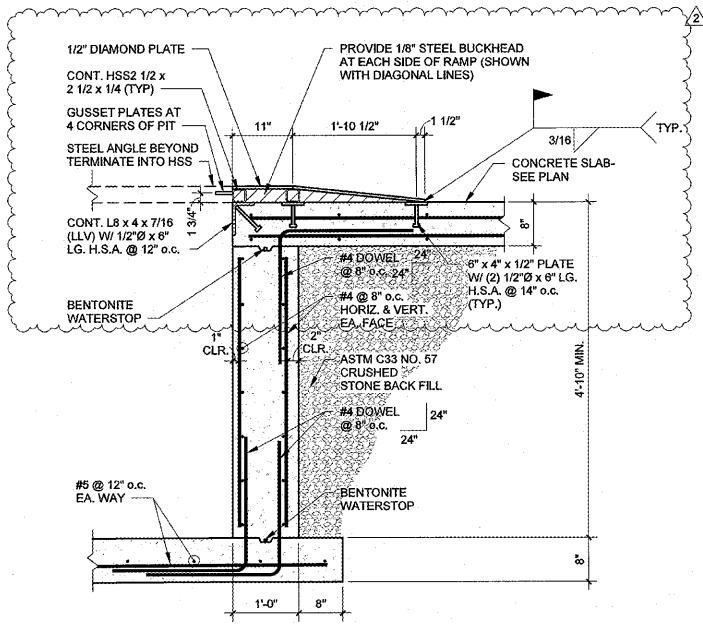
Love's
Travel Stop &
Country Stores

LIGHTSHEN 130
14488
STATE OF
FLORIDA
PROFESSIONAL ENGINEER

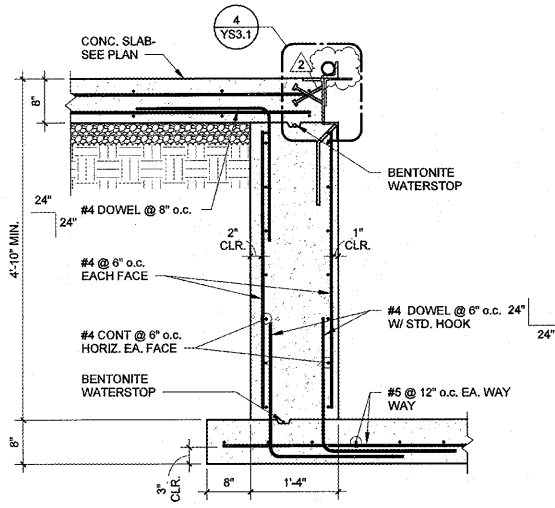
Lighthsen Tsao, P.E.
License #74490
Harrison French &
Associates, LTD
CCA #26421

ISSUE BLOCK	
09/13/19	ADD #2

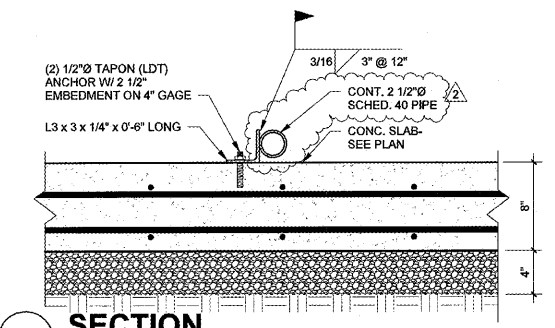
STORE NO.	467
DOCUMENT DATE:	05/14/19
CHECKED BY:	LST
DRAWN BY:	JWK
PROTO CYCLE:	
LUBE PIT PLAN AND PIT DETAILS	
SHEET:	YS3.1



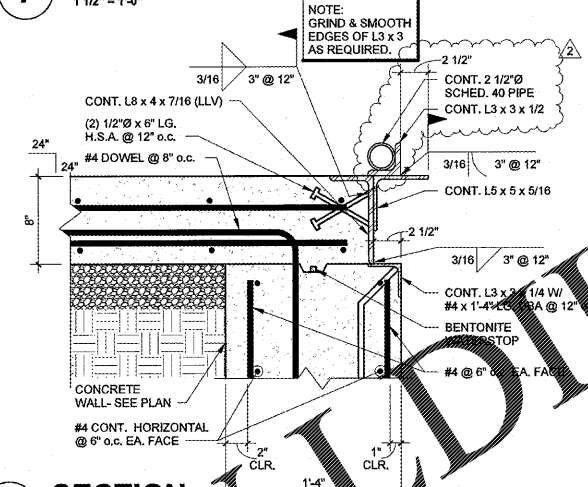
6 SECTION
3/4" = 1'-0"



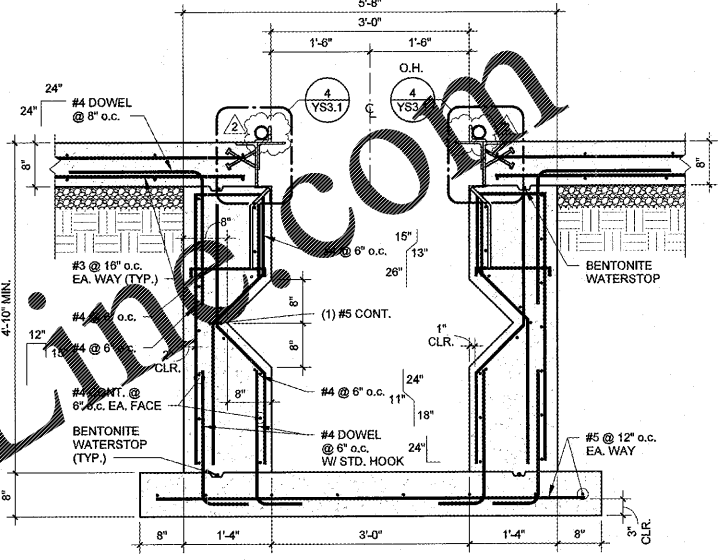
5 SECTION
3/4" = 1'-0"



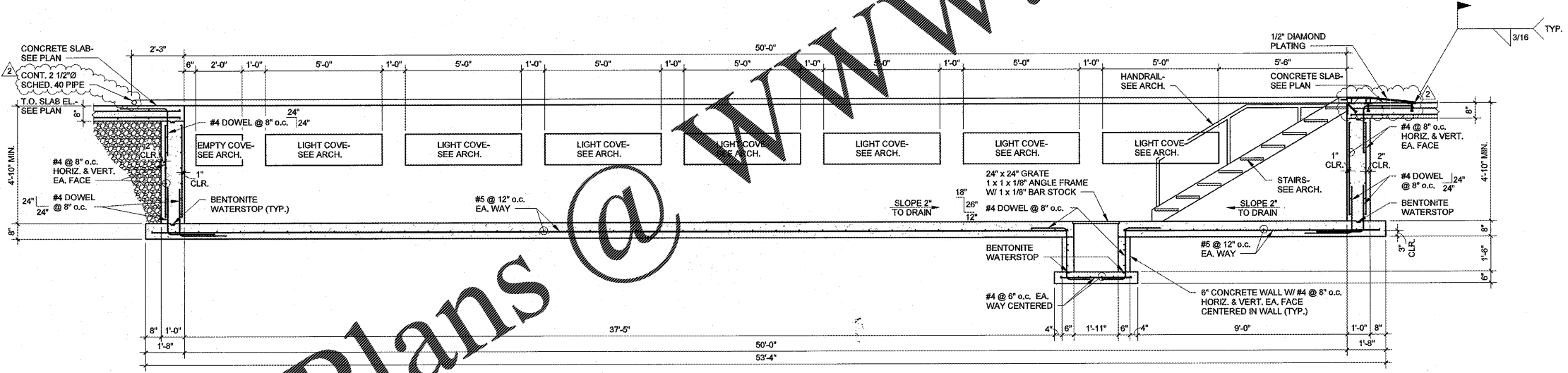
7 SECTION
1 1/2" = 1'-0"



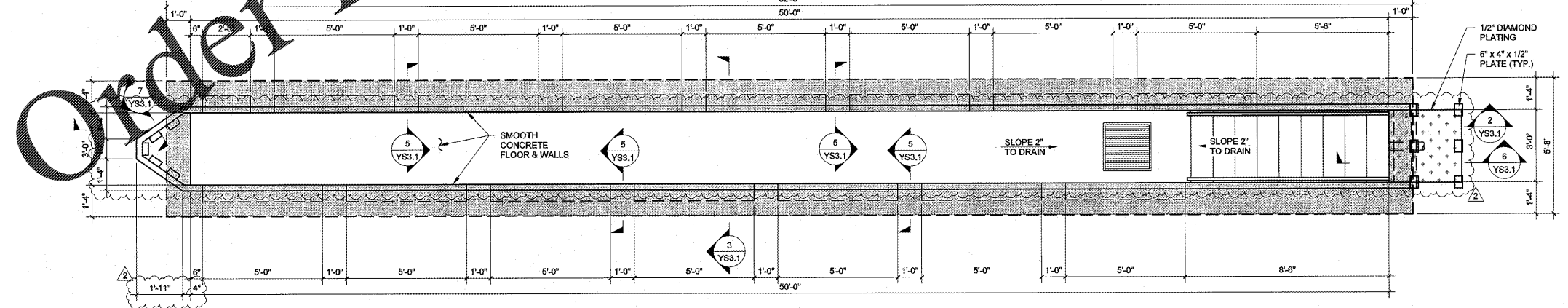
4 SECTION
1 1/2" = 1'-0"



3 SECTION
3/4" = 1'-0"



2 LUBE PIT SECTION
3/8" = 1'-0"



1 LUBE PIT PLAN
3/8" = 1'-0"

Order Plans @ www.iddl.com