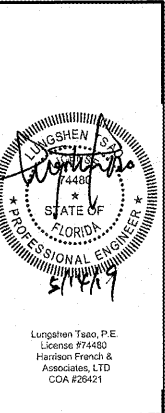


STIPULATION FOR REUSE
THE DRAWINGS AND SPECIFICATIONS FOR THIS PROJECT ARE THE PROPERTY OF HARRISON FRENCH & ASSOCIATES, LTD. AND ARE NOT TO BE REPRODUCED OR TRANSMITTED IN ANY FORM OR BY ANY MEANS, ELECTRONIC OR MECHANICAL, INCLUDING PHOTOCOPYING, RECORDING, OR BY ANY INFORMATION STORAGE AND RETRIEVAL SYSTEM. ANY REUSE OF THESE DRAWINGS OR SPECIFICATIONS FOR ANY OTHER PROJECT WITHOUT THE WRITTEN PERMISSION OF HARRISON FRENCH & ASSOCIATES, LTD. IS STRICTLY PROHIBITED.

200 S KINGS HWY
FORT PIERCE, FL 34945
SPEEDCO REBRANDING &
LIGHT MECHANICAL ADDITION
PROJECT NUMBER: 03-19-00467

Love's
Travel Stop &
Country Stores



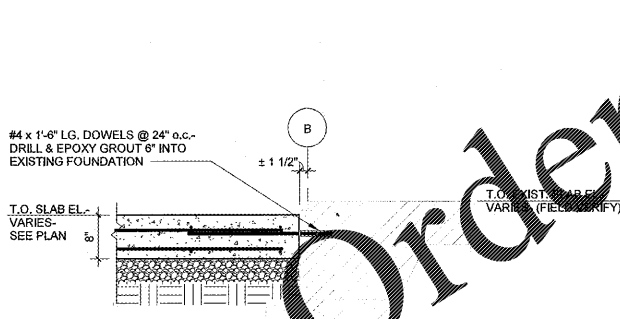
ISSUE BLOCK

STORE NO.	487
DOCUMENT DATE	05/14/19
CHECKED BY:	LST
DRAWN BY:	JWK
PROTO CYCLE:	

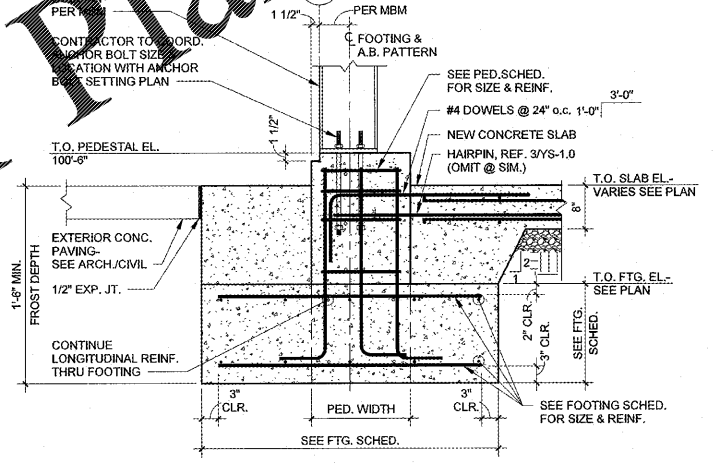
FOUNDATION
DETAILS

SHEET: **YS3.0**

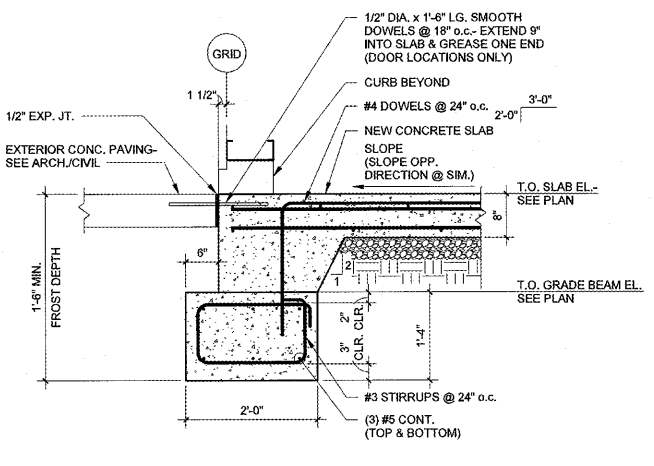
Order Plans @ www.LDILine.com



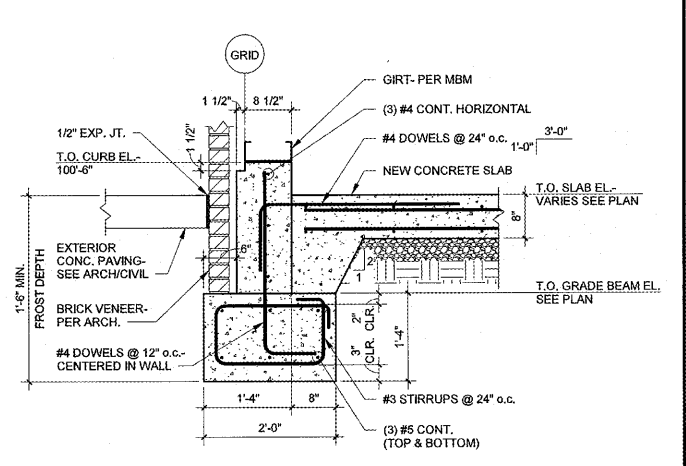
4 SECTION
3/4" = 1'-0"



3 SECTION
3/4" = 1'-0"



2 SECTION
3/4" = 1'-0"



1 SECTION
3/4" = 1'-0"