

SITE LIGHTING PIER SCHEDULE

HEIGHT ABOVE ADJACENT GRADE	DEPTH BELOW GRADE	REINFORCING
X 3'-0" TO 4'-0"	Y 6'-0"	(6) #8 VERTICALS
X 4'-1" TO 5'-0"	Y 6'-8"	(6) #8 VERTICALS
X 5'-1" TO 6'-0"	Y 7'-0"	(6) #8 VERTICALS
X 6'-1" TO 7'-0"	Y 7'-6"	(6) #8 VERTICALS
X 7'-1" TO 8'-0"	Y 8'-0"	(6) #8 VERTICALS
X 8'-1" TO 9'-0"	Y 8'-6"	(6) #8 VERTICALS
X 9'-1" TO 10'-0"	Y 8'-6"	(6) #8 VERTICALS

PROVIDE #3 TIES @ 12" O.C. ON EACH PIER

SITE LIGHTING PIER SCHEDULE

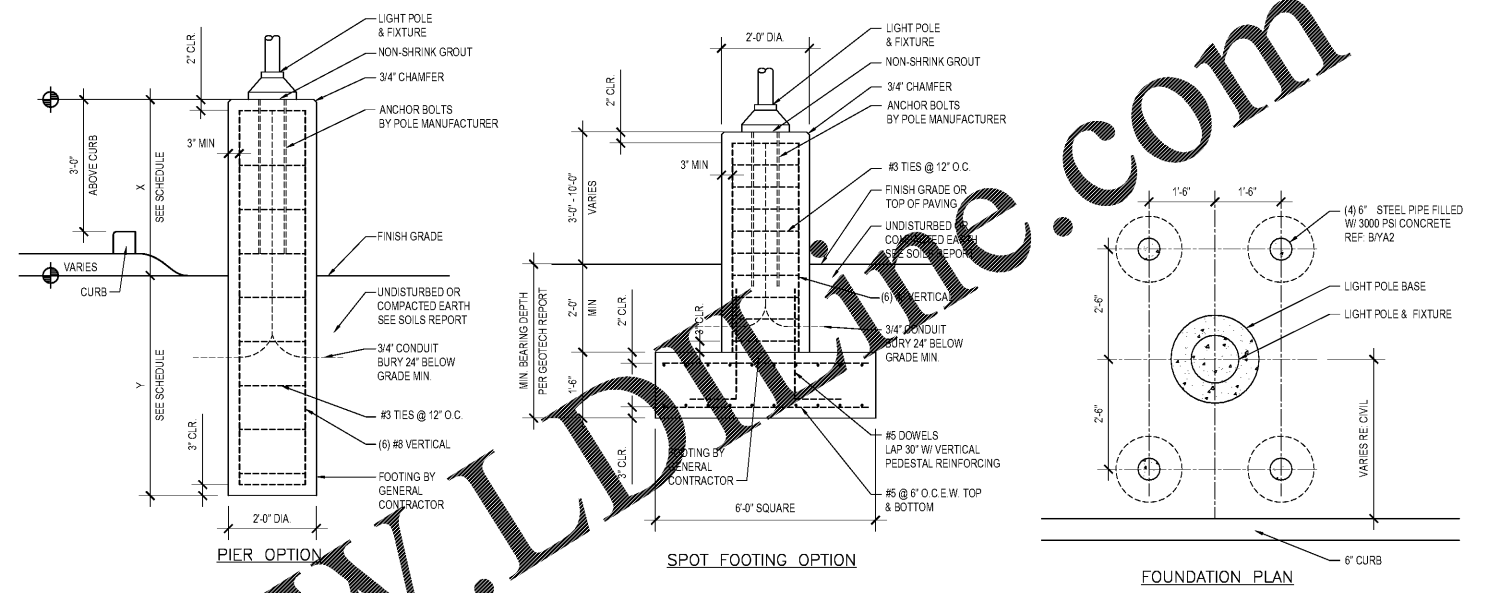
HEIGHT ABOVE ADJACENT GRADE	DEPTH BELOW GRADE	REINFORCING
X 3'-0" TO 4'-0"	Y 2'-0"	#5 @ 6" O.C.E.W. TOP & BOTTOM
X 4'-1" TO 5'-0"	Y 2'-0"	#5 @ 6" O.C.E.W. TOP & BOTTOM
X 5'-1" TO 6'-0"	Y 2'-0"	#5 @ 6" O.C.E.W. TOP & BOTTOM
X 6'-1" TO 7'-0"	Y 2'-0"	#5 @ 6" O.C.E.W. TOP & BOTTOM
X 7'-1" TO 8'-0"	Y 2'-0"	#5 @ 6" O.C.E.W. TOP & BOTTOM
X 8'-1" TO 9'-0"	Y 2'-0"	#5 @ 6" O.C.E.W. TOP & BOTTOM
X 9'-1" TO 10'-0"	Y 2'-0"	#5 @ 6" O.C.E.W. TOP & BOTTOM

PROVIDE #3 TIES @ 12" O.C. ON EACH PIER

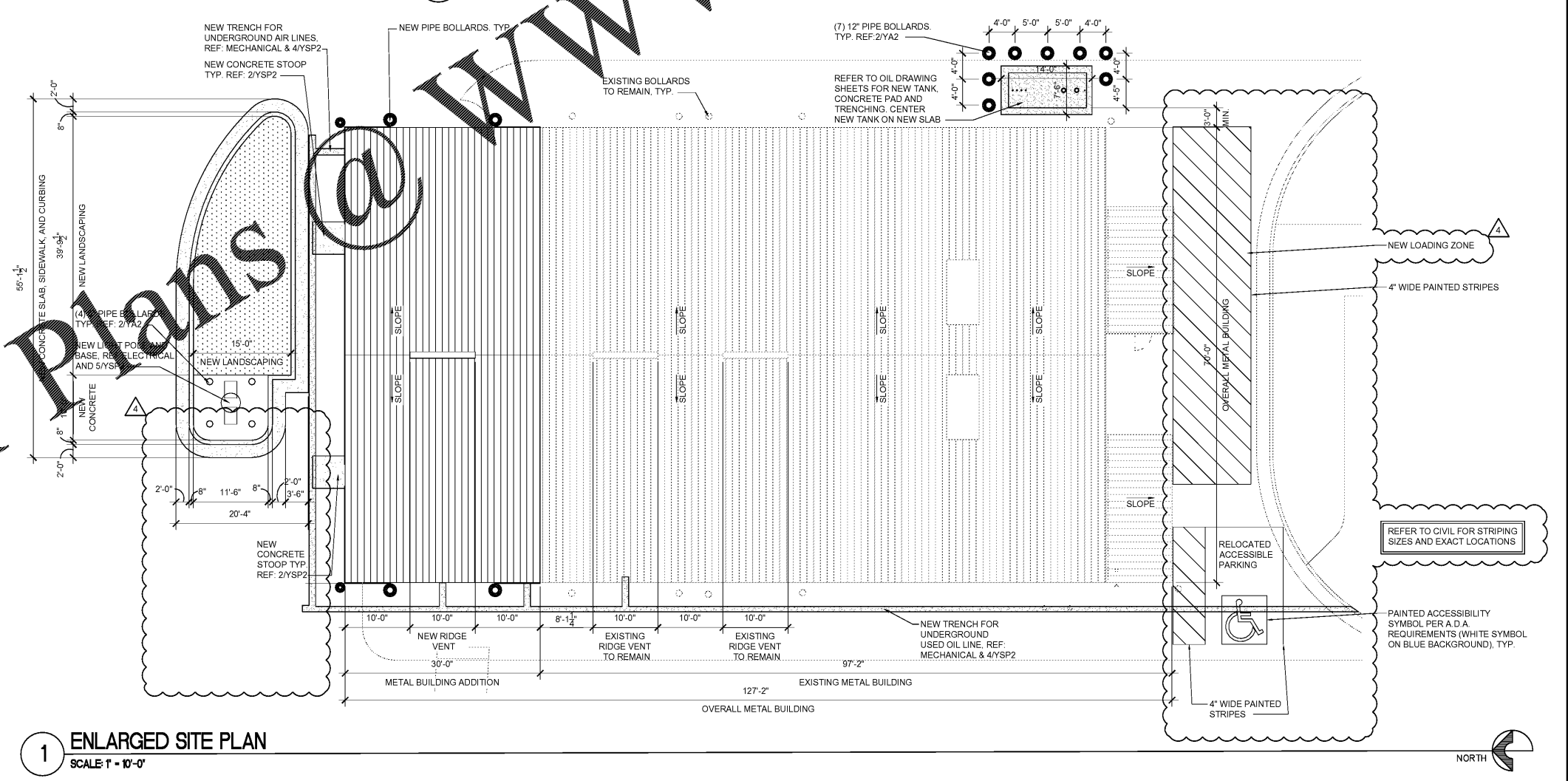
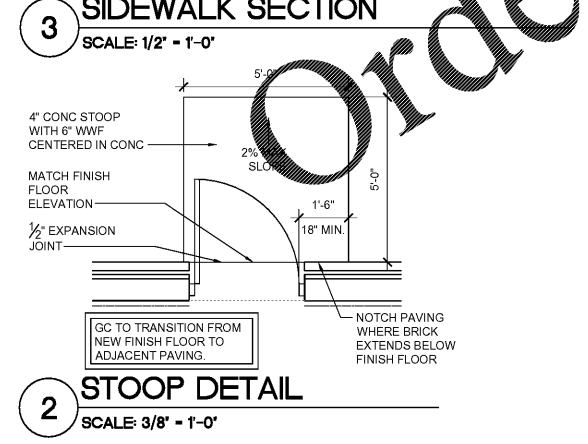
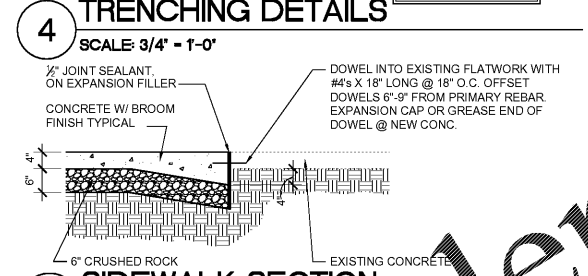
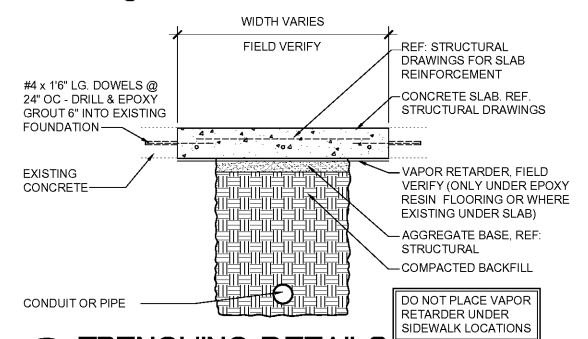
PLAN LEGEND

- EXISTING TO REMAIN
- NEW
- NEW CONCRETE
- NEW LANDSCAPING

HFA
HARRISON FRENCH & ASSOCIATES, L.P.
1705 S. Walton Blvd., Suite 3
Bentonville, Arkansas 72712
t 479.273.7780
f 888.520.9685
www.hfa-ae.com



5 2'-0" DIAMETER LIGHT POLE FOUNDATION
SCALE: 1/2" = 1'-0"



1 ENLARGED SITE PLAN
SCALE: 1" = 10'-0"

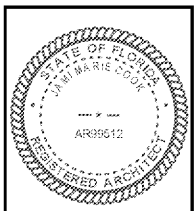
May 27, 2020 11:36am - User: nico.eggers
M:\2020\154067.Loves - FT. Pierce, FL - 4810\CONDO\SSA\Technical\156.YSP2.ENLARGED SITE PLAN AND DETAILS.dwg

Order Plans @ WWW.LDOnline.com

STIPULATION FOR REUSE
THIS DOCUMENT IS THE PROPERTY OF HARRISON FRENCH & ASSOCIATES, L.P. IT IS TO BE USED ONLY FOR THE PROJECT AND SITE SPECIFICALLY IDENTIFIED IN THE TITLE BLOCK. ANY REUSE OF THIS DOCUMENT FOR ANY OTHER PROJECT WITHOUT THE WRITTEN PERMISSION OF HARRISON FRENCH & ASSOCIATES, L.P. IS STRICTLY PROHIBITED. THE USER OF THIS DOCUMENT SHALL BE RESPONSIBLE FOR OBTAINING ALL NECESSARY PERMITS AND APPROVALS FROM THE APPROPRIATE AGENCIES. HARRISON FRENCH & ASSOCIATES, L.P. SHALL NOT BE RESPONSIBLE FOR ANY CONSEQUENCES OF REUSE OF THIS DOCUMENT.

200 S KINGS HWY
FORT PIERCE, FL 34945
SPEEDCO REBRANDING &
LIGHT MECHANICAL ADDITION
PROJECT NUMBER: 03-19-80467

Loves
Travel Stop &
Country Stores



James Marie Cook, Architect
License No. 94295012
Harrison French &
Associates, L.P.
C/OA: 44A278091010

ISSUE BLOCK

4	05/22/20	ADD 4

STORE NO: 467
DOCUMENT DATE: 05/14/19
CHECKED BY: ELR
DRAWN BY: JTH
PROTO CYCLE:

ENLARGED
SITE PLAN
AND DETAILS

SHEET:
YSP2