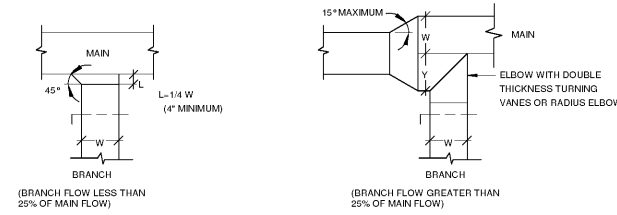


NOTE:
1. SIZE PAD 6" LARGER ALL AROUND TO SUIT EQUIPMENT FURNISHED

1 DETAIL - CONCRETE PAD
SCALE: N.T.S.



DUCT OFFSETS



BRANCH TAKE-OFFS

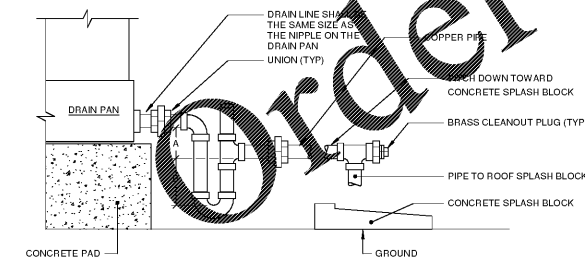


LOW VELOCITY ELBOWS



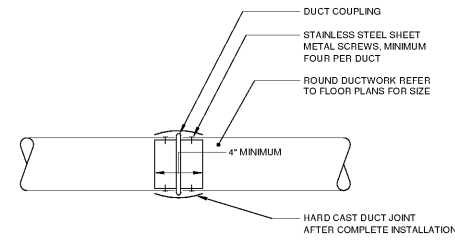
RECTANGULAR TO RECTANGULAR TRANSITIONS

2 DETAIL - RECTANGULAR DUCT FITTINGS
SCALE: N.T.S.

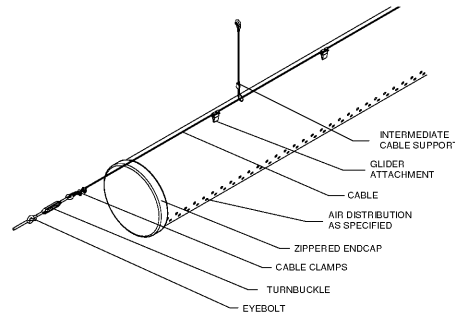


NOTES:
1. REFER TO MANUFACTURER'S WRITTEN INSTRUCTIONS FOR PIPE SIZES AND TRAP CONFIGURATION.

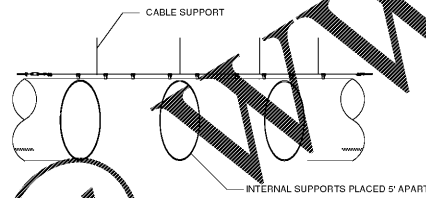
3 DETAIL - COIL CONDENSATE DEEP SEAL TRAP (PAD)
SCALE: N.T.S.



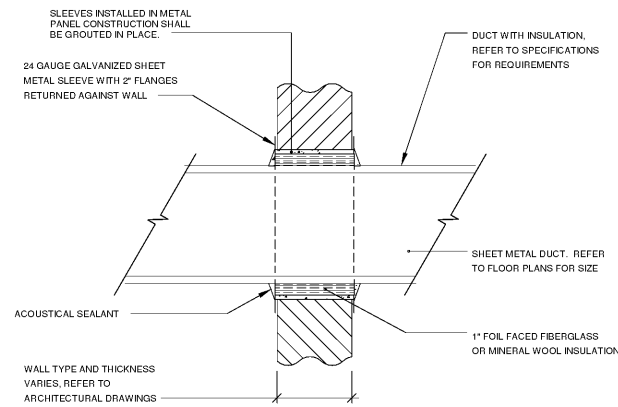
4 DETAIL - ROUND DUCT JOINT
SCALE: N.T.S.



5 DETAIL - SINGLE ROW SUSPENSION - FABRIC DUCT
SCALE: N.T.S.

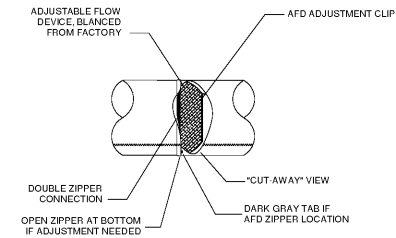


6 DETAIL - FABRIC DUCT INTERNAL SUPPORT
SCALE: N.T.S.



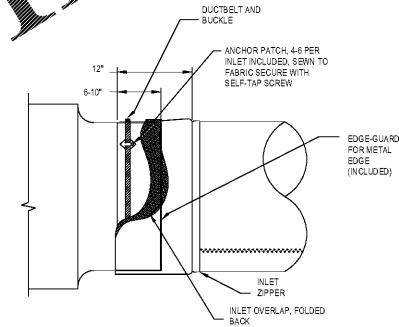
NOTES:
1. PROVIDE GALVANIZED SHEET METAL SLEEVES FOR DUCTWORK PASSING THROUGH ALL FULL HEIGHT WALLS, FIRE RATED PARTITIONS OR SMOKE PARTITIONS. DUCT SLEEVES SHALL BE LARGE ENOUGH TO PASS DUCT WITH INSULATION AND SHALL HAVE 2 (TWO) INCH FLANGES RETURNED AGAINST WALL OR PARTITION. WHERE FIRE DAMPERS ARE REQUIRED, PROVIDE SLEEVES AS REQUIRED BY THE DAMPER MANUFACTURER.
2. AT ALL SLEEVES, WHERE NOISE CAN BE TRANSMITTED AND AT FIRE RATED SEPARATIONS, SEAL ALL OPENINGS BETWEEN DUCTS AND CORRESPONDING SLEEVE TO PREVENT SOUND TRANSMISSION AND MAINTAIN FIRE RATING OF THE WALL. SUBMIT METHOD OF SEALING SLEEVES FOR APPROVAL. U.L. ASSEMBLY RATING OF FIRE WALLS SHALL BE MAINTAINED AT ALL TIMES. ALL SLEEVES INSTALLED IN METAL PANEL CONSTRUCTION SHALL BE GROUTED IN PLACE.

7 DETAIL - ACOUSTICAL DUCTWORK PENETRATION
SCALE: N.T.S.

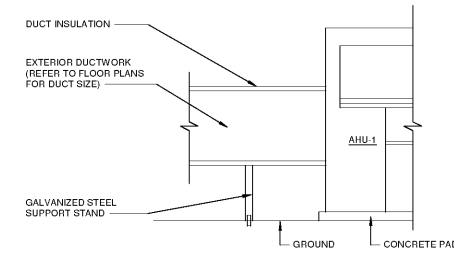


INSTALLED AT ZIPPER LOCATION AT INLET OR AS SPECIFIED IN OTHER LOCATIONS. ZIPPER TO ZIPPER CONNECTION AS SHOWN. EXTERNAL LABEL IDENTIFIES LOCATION.

8 DETAIL - ADJUSTABLE FLOW DEVICE
SCALE: N.T.S.



9 DETAIL - INLET ATTACHMENT
SCALE: N.T.S.



NOTES:
1. COORDINATE EXTERIOR DUCT STRUCTURAL SUPPORTS WITH MANUFACTURER DUCT CONNECTION HEIGHTS. PROVIDE SUPPORTS EVERY 4'-0" OF HORIZONTAL RUN.

10 DETAIL - EXTERIOR DUCTWORK SUPPORTS
SCALE: N.T.S.

**WOODWARD ELEMENTARY SCHOOL
GYM HVAC DESIGN**
3034 Curtis Drive
Atlanta, Georgia 30319



ARCHITECTURE
INTERIORS PLANNING
PROGRAM MANAGEMENT
1186 SPRING STREET, N.W.
ATLANTA, GEORGIA 30309-3819
404.576.0246
404.576.0247 fax
www.stanleylove-stanleypc.com

DRAWING TITLE
MECHANICAL DETAILS



CONSULTANT

SCALES AS STATED HEREON ARE VALID ON THE ORIGINAL DRAWING. THE DIMENSIONS OF WHICH ARE SHOWN HEREON. THE SCALES OF THE DRAWING ARE HEREBY CHANGED BY THE RATIO OF THE OVERALL SHEET DIMENSIONS OF THE PRINT TO CORRESPONDING DIMENSIONS OF THE ORIGINAL DRAWING.

THIS DRAWING IS THE PROPERTY OF STANLEY LOVE STANLEY P.C. AND IS NOT TO BE REPRODUCED OR COPIED IN WHOLE OR IN PART, IF FOUND TO BE USED ON THE PROJECT AND IT IS NOT TO BE USED ON ANY OTHER PROJECT. IT IS TO BE RETURNED UPON REQUEST.

COPYRIGHT © 2016. ALL RIGHTS RESERVED BY STANLEY LOVE STANLEY P.C.

DRAWING NO.
DATE
01/06/2020
PROJECT NO.
6919.12
DRAWING NO.

M-401

RELEASED FOR CONSTRUCTION 01/06/2020