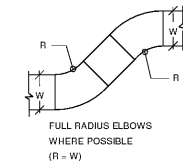


6" CONCRETE PAD

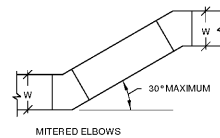
NOTE:

1. SIZE PAD 6" LARGER ALL AROUND TO SUIT EQUIPMENT FURNISHED

1 DETAIL - CONCRETE PAD
SCALE: N.T.S.

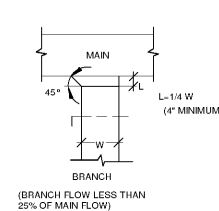


FULL RADIUS ELBOWS
WHERE POSSIBLE
(R = W)

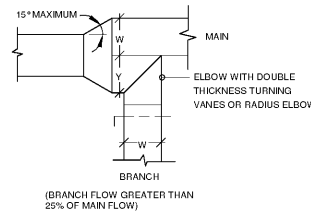


MITERED ELBOWS
30° MAXIMUM

DUCT OFFSETS

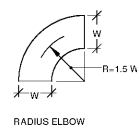


BRANCH
(BRANCH FLOW LESS THAN
25% OF MAIN FLOW)

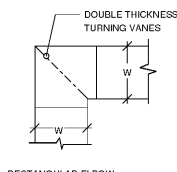


BRANCH
(BRANCH FLOW GREATER THAN
25% OF MAIN FLOW)

BRANCH TAKE OFFS

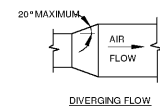


RADIUS ELBOW
R = 1.5 W

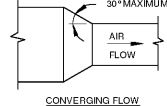


RECTANGULAR ELBOW
DOUBLE THICKNESS
TURNING VANES

LOW VELOCITY ELBOWS



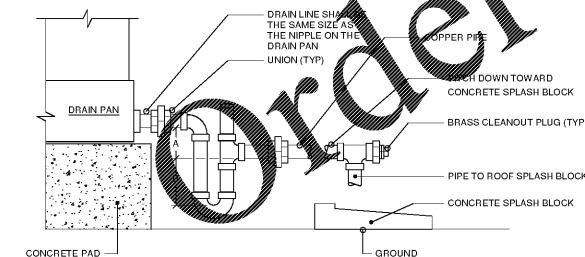
DIVERGING FLOW
20° MAXIMUM



CONVERGING FLOW
30° MAXIMUM

RECTANGULAR TO RECTANGULAR TRANSITIONS

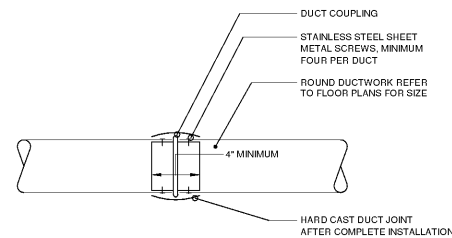
2 DETAIL - RECTANGULAR DUCT FITTINGS
SCALE: N.T.S.



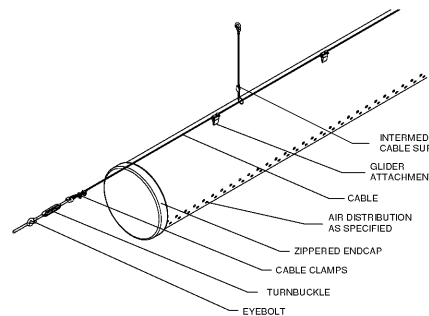
NOTES:

1. REFER TO MANUFACTURER'S WRITTEN INSTRUCTIONS FOR PIPE SIZES AND TRAP CONFIGURATION.

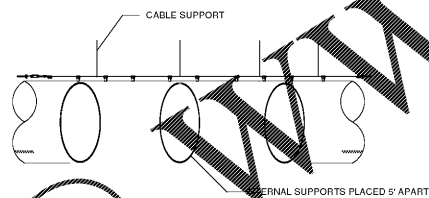
3 DETAIL - COIL CONDENSATE DEEP SEAL TRAP (PAD)
SCALE: N.T.S.



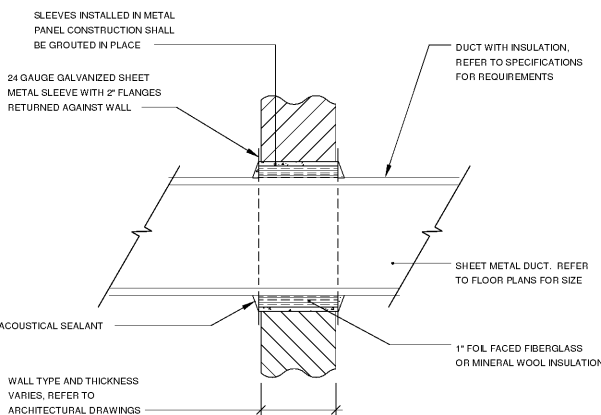
4 DETAIL - ROUND DUCT JOINT
SCALE: N.T.S.



5 DETAIL - SINGLE ROW SUSPENSION - FABRIC DUCT
SCALE: N.T.S.



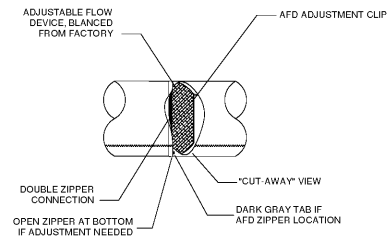
6 DETAIL - FABRIC DUCT INTERNAL SUPPORT
SCALE: N.T.S.



NOTES:

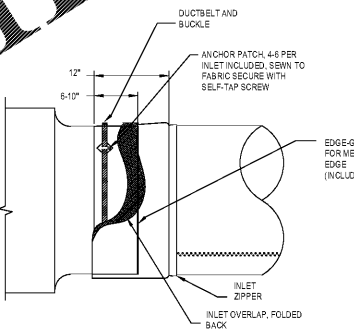
1. PROVIDE GALVANIZED SHEET METAL SLEEVES FOR DUCTWORK PASSING THROUGH ALL FULL HEIGHT WALLS, FIRE RATED PARTITIONS OR SMOKE PARTITIONS. DUCT SLEEVES SHALL BE LARGE ENOUGH TO PASS DUCT WITH INSULATION AND SHALL HAVE 2 (TWO) INCH FLANGES RETURNED AGAINST WALL OR PARTITION. WHERE FIRE DAMPERS ARE REQUIRED, PROVIDE SLEEVES AS REQUIRED BY THE DAMPER MANUFACTURER.
2. AT ALL SLEEVES, WHERE NOISE CAN BE TRANSMITTED AND AT FIRE RATED SEPARATIONS, SEAL ALL OPENINGS BETWEEN DUCTS AND CORRESPONDING SLEEVE TO PREVENT SOUND TRANSMISSION AND MAINTAIN FIRE RATING OF THE WALL. SUBMIT METHOD OF SEALING SLEEVES FOR APPROVAL. U.L. ASSEMBLY RATING OF FIRE WALLS SHALL BE MAINTAINED AT ALL TIMES. ALL SLEEVES INSTALLED IN METAL PANEL CONSTRUCTION SHALL BE GROUTED IN PLACE.

7 DETAIL - ACOUSTICAL DUCTWORK PENETRATION
SCALE: N.T.S.

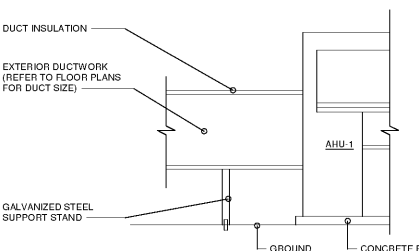


8 DETAIL - ADJUSTABLE FLOW DEVICE
SCALE: N.T.S.

INSTALLED AT ZIPPER LOCATION AT INLET OR AS SPECIFIED IN OTHER LOCATIONS. ZIPPER TO ZIPPER CONNECTION AS SHOWN. EXTERNAL LABEL IDENTIFIES LOCATION.



9 DETAIL - INLET ATTACHMENT
SCALE: N.T.S.



NOTES:

1. COORDINATE EXTERIOR DUCT STRUCTURAL SUPPORTS WITH MANUFACTURER DUCT CONNECTION HEIGHTS. PROVIDE SUPPORTS EVERY 4'-0" OF HORIZONTAL RUN.

10 DETAIL - EXTERIOR DUCTWORK SUPPORTS
SCALE: N.T.S.

20'	100% CD SET	01/06/2020
10'		
5'		
0'		

**VANDERLYN ELEMENTARY SCHOOL
GYM HVAC DESIGN**
1877 Vanderlyn Drive
Dunwoody, Georgia 30338

**STANLEY
LOVE
STANLEY
P A C**
ARCHITECTURE
INTERIORS PLANNING
PROGRAM MANAGEMENT
1186 SPRING STREET, N.W.
ATLANTA, GEORGIA 30309-3919
404.476.0506
404.476.0487 Fax
www.stanleylove-stanleyjac.com

DRAWING TITLE
MECHANICAL DETAILS

PROFESSIONAL SEAL
GEORGIA
REGISTERED PROFESSIONAL ENGINEER
DANIEL NOTO

CONSULTANT

SCALES AS STATED HEREON ARE VALID ON THE ORIGINAL DRAWING. THE DIMENSIONS OF WHICH ARE SHOWN HEREIN. THE SCALES OF THE DRAWING ARE SUBJECT TO CHANGE BY THE RATIO OF THE OVERALL SHEET DIMENSIONS OF THE PRINT TO CORRESPONDING DIMENSIONS OF THE ORIGINAL DRAWING.
THE DRAWING IS THE PROPERTY OF STANLEY LOVE STANLEY P.A.C. AND IS NOT TO BE REPRODUCED OR COPIED IN WHOLE OR IN PART, IF FOUND TO BE USED ON OTHER PROJECTS AND IT IS TO BE RETURNED UPON REQUEST.
COPYRIGHT © 2016. ALL RIGHTS RESERVED BY STANLEY LOVE STANLEY P.A.C.

DRAWING NO.
DATE
01/06/2020
PROJECT NO.
6919.8
DRAWING NO.

M-401

RELEASED FOR CONSTRUCTION 01/06/2020