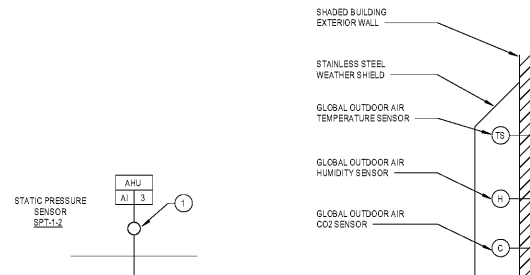


INPUT/OUTPUT SUMMARY

Table with columns: POINT NO., SYSTEM APPARATUS OR AREA POINT DESCRIPTION, ANALOG (MEASURED, CALC), BINARY, OUTPUTS (BINARY, ANALOG), SYSTEM FEATURES (ALARMS, PROGRAMS), GEN.

DRAWING NOTES:

- 1. STATIC PRESSURE SENSOR SHALL BE LOCATED IN THE SUPPLY DUCTWORK AT THE POINT(S) OF MINIMUM STATIC PRESSURE (TYPICALLY 20' DOWNSTREAM) AND THE INITIAL BALANCED SET POINT DETERMINED THROUGH TEST AND BALANCE.
2. SMOKE DETECTOR SHALL BE FURNISHED AND WIRED UNDER DIVISION 26 AND INSTALLED BY DIVISION 23.



Order Plans @ WWW.BDLLine.com

AHU CONTROLS DIAGRAM
SCALE: N.T.S.



SEQUENCE OF CONTROLS

PART 1 - TEMPERATURE CONTROL SEQUENCES
A. SEE SCHEMATICS FOR LOCATIONS OF ALL TEMPERATURE TRANSMITTERS, PANELS, DAMPERS, VALVES, AND EQUIPMENT...
B. A FULL COMMUNICATIONS INTERFACE AND COMPLETE INTEROPERABILITY WITH THE BAS SHALL BE PROVIDED TO PERFORM THE FUNCTIONS HEREIN DESCRIBED OR INDICATED IN THE CONTRACT DOCUMENTS.

PART 2 - MASTER HEATING AND COOLING CONTROL
A. THE BAS SHALL COMMAND THE AIR HANDLING UNIT ON BASED ON THE OCCUPIED/UNOCCUPIED SCHEDULE (INITIAL SCHEDULE SHALL BE PROVIDED BY THE OWNER) AND ENABLE THE AHU'S AUTOMATIC CONTROLS TO OPERATE AS INDICATED BELOW.

PART 3 - AIR HANDLING UNIT CONTROL
A. SYSTEM CONTROL
a. SUPPLY FAN SHALL BE MANUALLY INDEXED TO THE AUTOMATIC MODE AT THE BYPASS.

B. HEATING MODE CONTROL
a. OCCUPIED MODE: SUPPLY FAN SHALL BE RUNNING, OUTDOOR DAMPER D-1-2 SHALL BE SET TO THE MINIMUM POSITION...
c. UNOCCUPIED MODE: THE BAS SHALL DETERMINE THE UNOCCUPIED MODE BASED ON A 365 DAY/24 HR GRAPHIC INTERFACE SCHEDULE PROGRAM.

C. COOLING MODE CONTROL
a. OCCUPIED MODE: SUPPLY FAN SET-1 SHALL BE RUNNING, OUTDOOR DAMPER D-1-2 SHALL BE OPEN TO ITS MINIMUM POSITION...
c. UNOCCUPIED MODE: THE BAS SHALL DETERMINE THE UNOCCUPIED MODE BASED ON A 365 DAY/24 HR GRAPHIC INTERFACE SCHEDULE PROGRAM.

D. OUTDOOR AIR DAMPER AND CO2 LEVEL CONTROL
a. THE OUTDOOR AIR DAMPER SHALL BE CLOSED DURING WARM-UP AND UNOCCUPIED MODES.
b. DURING OCCUPIED MODE, OUTDOOR AIR DAMPER SHALL INITIALLY OPERATE AT MINIMUM POSITION TO MAINTAIN THE MINIMUM OUTDOOR AIR QUANTITY AS SEEN BY OUTDOOR AIR FLOW MONITORING STATION AEM-1-1.

G. SMOKE CONTROL
a. THE AHU AND ASSOCIATED AIR DISTRIBUTION SYSTEM SHALL BE EQUIPPED WITH SMOKE DETECTORS AND CONNECTED TO THE BUILDING FIRE ALARM SYSTEM IN ACCORDANCE WITH THE INTERNATIONAL FIRE AND MECHANICAL CODES.

H. ALARMS
a. FAN FAILURE: A FAILURE OF THE SUPPLY FAN, AS SENSED BY THE CURRENT TRANSDUCER, SHALL BE ALARMED TO THE BAS.

I. FAILURE MODES
a. OUTSIDE AIR AND RELIEF AIR DAMPERS SHALL REMAIN CLOSED DURING WARM-UP AND UNOCCUPIED MODES.

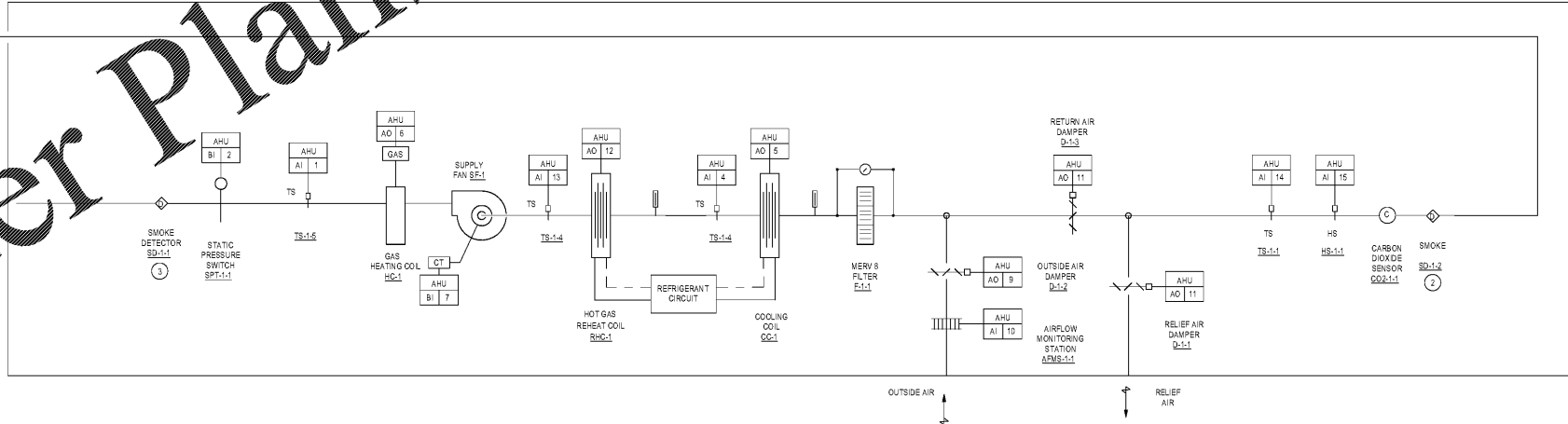
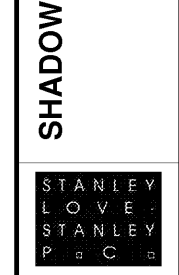


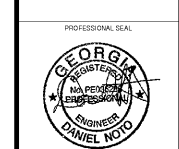
Table with columns: DATE, PROJECT NO., DRAWING NO.

SHADOW ROCK ELEMENTARY SCHOOL
GYM HVAC DESIGN
1040 Kingway Drive
Lithonia, Georgia 30058



ARCHITECTURE
INTERIORS PLANNING
PROGRAM MANAGEMENT

DRAWING TITLE: MECHANICAL CONTROLS



CONSULTANT
mf Engineering

DATE: 01/31/2020
PROJECT NO: 6919.5
DRAWING NO: M-301

RELEASED FOR CONSTRUCTION 01/31/2020