

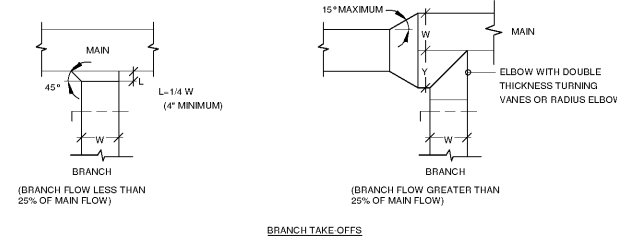
6" CONCRETE PAD

NOTE:
1. SIZE PAD 6" LARGER ALL AROUND TO SUIT EQUIPMENT FURNISHED

1 **DETAIL - CONCRETE PAD**
SCALE: N.T.S.



DUCT OFFSETS



BRANCH TAKE OFFS

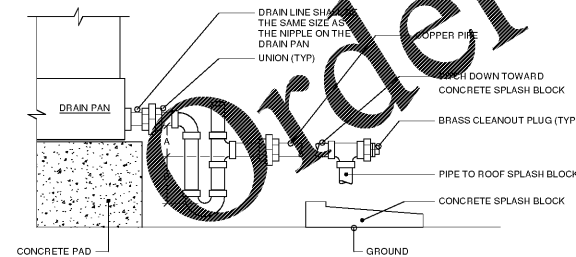


LOW VELOCITY ELBOWS



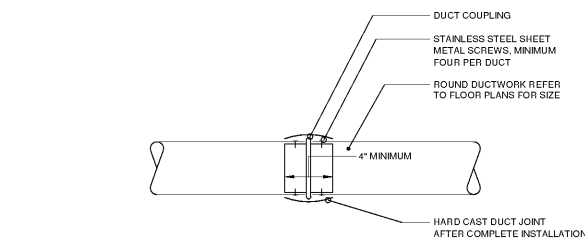
RECTANGULAR TO RECTANGULAR TRANSITIONS

2 **DETAIL - RECTANGULAR DUCT FITTINGS**
SCALE: N.T.S.

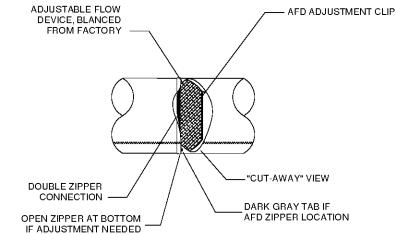


NOTES:
1. REFER TO MANUFACTURER'S WRITTEN INSTRUCTIONS FOR PIPE SIZES AND TRAP CONFIGURATION.

3 **DETAIL - COIL CONDENSATE DEEP SEAL TRAP (PAD)**
SCALE: N.T.S.

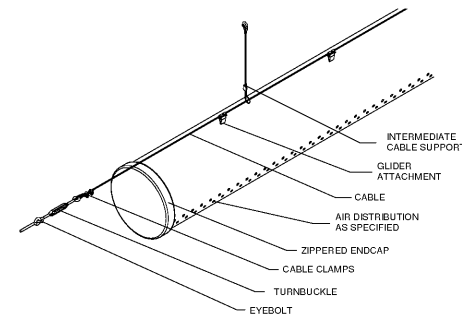


4 **DETAIL - ROUND DUCT JOINT**
SCALE: N.T.S.

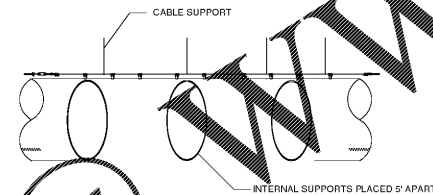


INSTALLED AT ZIPPER LOCATION AT INLET OR AS SPECIFIED IN OTHER LOCATIONS. ZIPPER TO ZIPPER CONNECTION AS SHOWN. EXTERNAL LABEL IDENTIFIES LOCATION.

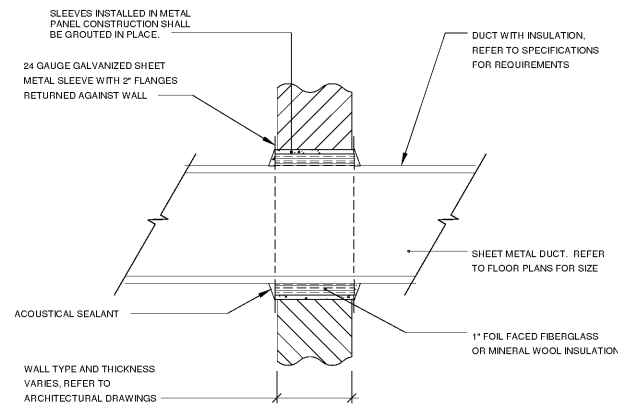
8 **DETAIL - ADJUSTABLE FLOW DEVICE**
SCALE: N.T.S.



5 **DETAIL - SINGLE ROW SUSPENSION - FABRIC DUCT**
SCALE: N.T.S.

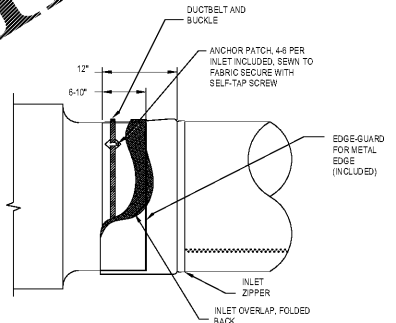


6 **DETAIL - FABRIC DUCT INTERNAL SUPPORT**
SCALE: N.T.S.

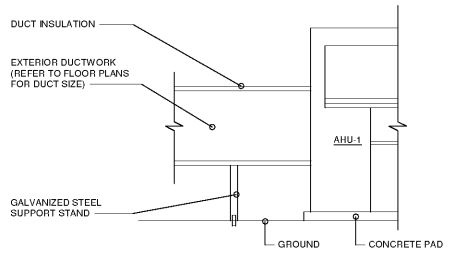


NOTES:
1. PROVIDE GALVANIZED SHEET METAL SLEEVES FOR DUCTWORK PASSING THROUGH ALL FULL HEIGHT WALLS, FIRE RATED PARTITIONS OR SMOKE PARTITIONS. DUCT SLEEVES SHALL BE LARGE ENOUGH TO PASS DUCT WITH INSULATION AND SHALL HAVE 2 (TWO) INCH FLANGES RETURNED AGAINST WALL OR PARTITION. WHERE FIRE DAMPERS ARE REQUIRED, PROVIDE SLEEVES AS REQUIRED BY THE DAMPER MANUFACTURER.
2. AT ALL SLEEVES, WHERE NOISE CAN BE TRANSMITTED AND AT FIRE RATED SEPARATIONS, SEAL ALL OPENINGS BETWEEN DUCTS AND CORRESPONDING SLEEVE TO PREVENT SOUND TRANSMISSION AND MAINTAIN FIRE RATING OF THE WALL. SUBMIT METHOD OF SEALING SLEEVES FOR APPROVAL. U.L. ASSEMBLY RATING OF FIRE WALLS SHALL BE MAINTAINED AT ALL TIMES. ALL SLEEVES INSTALLED IN METAL PANEL CONSTRUCTION SHALL BE GROUTED IN PLACE.

7 **DETAIL - ACOUSTICAL DUCTWORK PENETRATION**
SCALE: N.T.S.



9 **DETAIL - INLET ATTACHMENT**
SCALE: N.T.S.



NOTES:
1. COORDINATE EXTERIOR DUCT STRUCTURAL SUPPORTS WITH MANUFACTURER DUCT CONNECTION HEIGHTS. PROVIDE SUPPORTS EVERY 4'-0" OF HORIZONTAL RUN.

10 **DETAIL - EXTERIOR DUCTWORK SUPPORTS**
SCALE: N.T.S.

HAWTHORNE ELEMENTARY SCHOOL
GYM HVAC DESIGN
2635 Caladium Drive NE
Atlanta, GA 30345



ARCHITECTURE
INTERIORS PLANNING
PROGRAM MANAGEMENT
1186 SPRING STREET, N.W.
ATLANTA, GEORGIA 30309-3818
404-576-2258
404-576-2847 Fax
www.stanleylove-stanleypc.com

DRAWING TITLE: MECHANICAL DETAILS



CONSULTANT



SCALE AS STATED HEREON ARE VALID ON THE ORIGINAL DRAWING. THE DIMENSIONS OF WHICH ARE SHOWN HEREON. THE SCALE OF THE REPRODUCTION SHALL BE THE RATIO OF THE OVERALL SHEET DIMENSIONS OF THE REPRODUCTION TO THE OVERALL DIMENSIONS OF THE ORIGINAL DRAWING.

THIS DRAWING IS THE PROPERTY OF STANLEY LOVE-STANLEY P.C. AND IS NOT TO BE REPRODUCED OR COPIED IN WHOLE OR IN PART, OR TRANSMITTED BY ANY MEANS, WITHOUT THE WRITTEN PERMISSION OF STANLEY LOVE-STANLEY P.C. IF YOU DO NOT AGREE TO THESE TERMS, YOU SHALL NOT USE OR REPRODUCE THIS DRAWING FOR ANY PROJECT. IT IS TO BE RETURNED UPON REQUEST.

COPYRIGHT © 2016. ALL RIGHTS RESERVED BY STANLEY LOVE-STANLEY P.C.

DRAWING NO. M-401
DATE 01/31/2020
PROJECT NO. 6919.2
DRAWING NO.

M-401