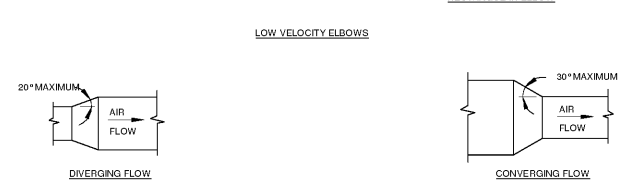
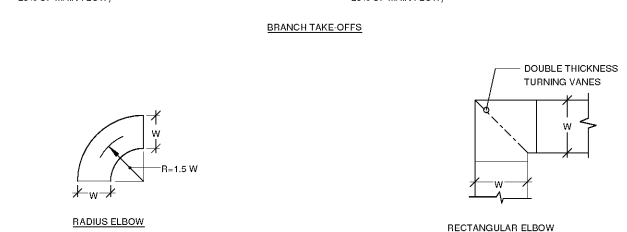
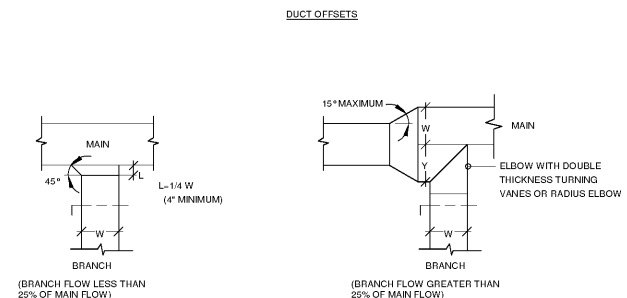
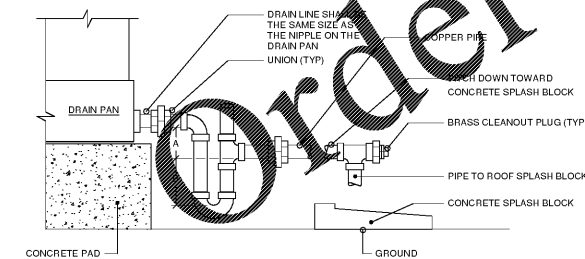


NOTE:
1. SIZE PAD 6" LARGER ALL AROUND TO SUIT EQUIPMENT FURNISHED

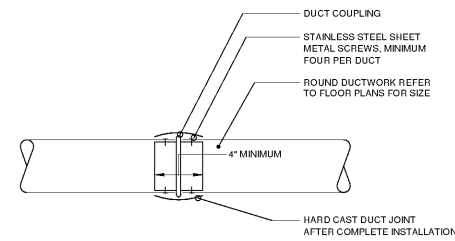
1 DETAIL - CONCRETE PAD
SCALE: N.T.S.



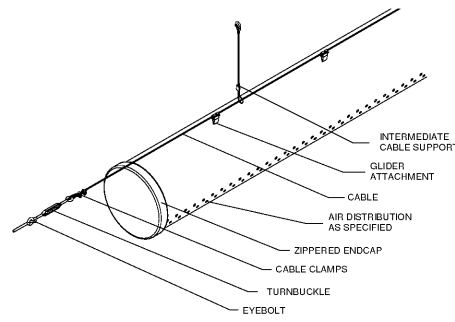
2 DETAIL - RECTANGULAR DUCT FITTINGS
SCALE: N.T.S.



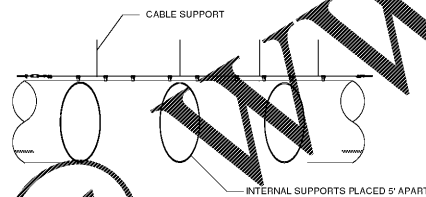
3 DETAIL - COIL CONDENSATE DEEP SEAL TRAP (PAD)
SCALE: N.T.S.



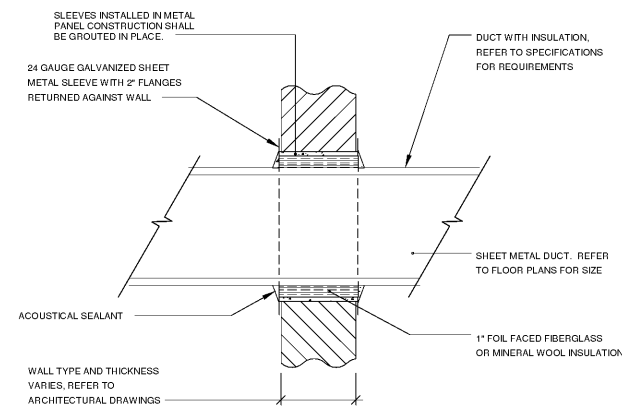
4 DETAIL - ROUND DUCT JOINT
SCALE: N.T.S.



5 DETAIL - SINGLE ROW SUSPENSION - FABRIC DUCT
SCALE: N.T.S.

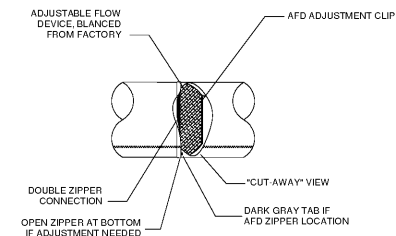


6 DETAIL - FABRIC DUCT INTERNAL SUPPORT
SCALE: N.T.S.



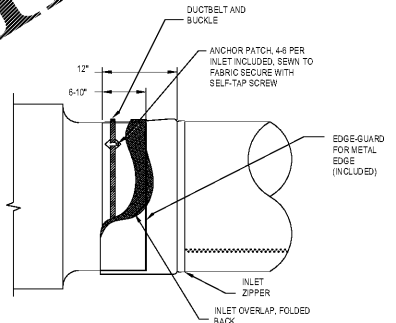
NOTES:
1. PROVIDE GALVANIZED SHEET METAL SLEEVES FOR DUCTWORK PASSING THROUGH ALL FULL HEIGHT WALLS, FIRE RATED PARTITIONS OR SMOKE PARTITIONS. DUCT SLEEVES SHALL BE LARGE ENOUGH TO PASS DUCT WITH INSULATION AND SHALL HAVE 2 (TWO) INCH FLANGES RETURNED AGAINST WALL OR PARTITION. WHERE FIRE DAMPERS ARE REQUIRED, PROVIDE SLEEVES AS REQUIRED BY THE DAMPER MANUFACTURER.
2. AT ALL SLEEVES, WHERE NOISE CAN BE TRANSMITTED AND AT FIRE RATED SEPARATIONS, SEAL ALL OPENINGS BETWEEN DUCTS AND CORRESPONDING SLEEVE TO PREVENT SOUND TRANSMISSION AND MAINTAIN FIRE RATING OF THE WALL. SUBMIT METHOD OF SEALING SLEEVES FOR APPROVAL. U.L. ASSEMBLY RATING OF FIRE WALLS SHALL BE MAINTAINED AT ALL TIMES. ALL SLEEVES INSTALLED IN METAL PANEL CONSTRUCTION SHALL BE GROUTED IN PLACE.

7 DETAIL - ACOUSTICAL DUCTWORK PENETRATION
SCALE: N.T.S.

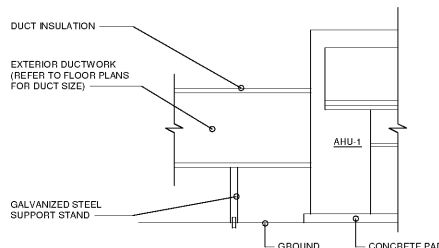


INSTALLED AT ZIPPER LOCATION AT INLET OR AS SPECIFIED IN OTHER LOCATIONS. ZIPPER TO ZIPPER CONNECTION AS SHOWN. EXTERNAL LABEL IDENTIFIES LOCATION.

8 DETAIL - ADJUSTABLE FLOW DEVICE
SCALE: N.T.S.



9 DETAIL - INLET ATTACHMENT
SCALE: N.T.S.



NOTES:
1. COORDINATE EXTERIOR DUCT STRUCTURAL SUPPORTS WITH MANUFACTURER DUCT CONNECTION HEIGHTS. PROVIDE SUPPORTS EVERY 4'-0" OF HORIZONTAL RUN.

10 DETAIL - EXTERIOR DUCTWORK SUPPORTS
SCALE: N.T.S.

**ELDRIDGE L MILLER ELEMENTARY
SCHOOL GYM HVAC DESIGN**
919 Martin Road
Stone Mountain, Georgia 30088

**STANLEY
LOVE
STANLEY
P A C**
ARCHITECTURE
INTERIORS PLANNING
PROGRAM MANAGEMENT
1186 SPRING STREET, N.W.
ATLANTA, GEORGIA 30309-3818
404.576.0556
www.stanleylove.com

MECHANICAL DETAILS

PROFESSIONAL SEAL
GEORGIA
REGISTERED
ENGINEER
DANIEL NOTO

rmf Engineering
888 HARRISON DRIVE SUITE 725
ATLANTA, GA 30328 678.915.0228

SCALES AS STATED HEREON ARE VALID ON THE ORIGINAL DRAWING. THE DIMENSIONS OF WHICH ARE SHOWN HEREIN. THE SCALES OF THE DRAWING SHALL BE THE RATIO OF THE OVERALL SHEET DIMENSIONS TO THE DIMENSIONS OF THE ORIGINAL DRAWING.

THIS DRAWING IS THE PROPERTY OF STANLEY LOVE STANLEY, P.C. AND IS NOT TO BE REPRODUCED OR COPIED IN WHOLE OR IN PART. IF IT IS TO BE USED FOR ANY OTHER PROJECT, IT IS TO BE RETURNED UPON REQUEST.

COPYRIGHT © 2016. ALL RIGHTS RESERVED BY STANLEY LOVE STANLEY, P.C.
DRAWING NO.
DATE
01/31/2020
PROJECT NO.
6919.1
DRAWING NO.

M-401

RELEASED FOR CONSTRUCTION 01/31/2020