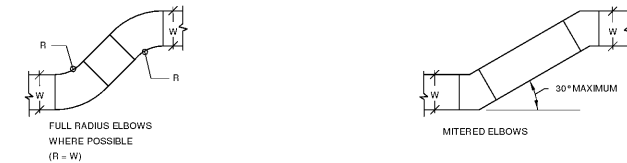
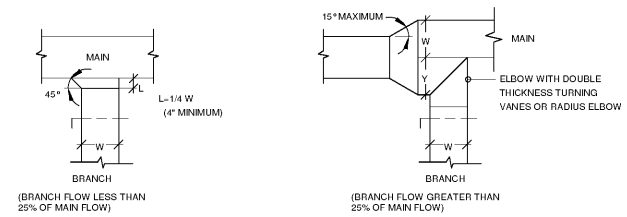


**NOTE:**  
1. SIZE PAD 6" LARGER ALL AROUND TO SUIT EQUIPMENT FURNISHED

**1 DETAIL - CONCRETE PAD**  
SCALE: N.T.S.



**DUCT OFFSETS**



**BRANCH TAKE-OFFS**

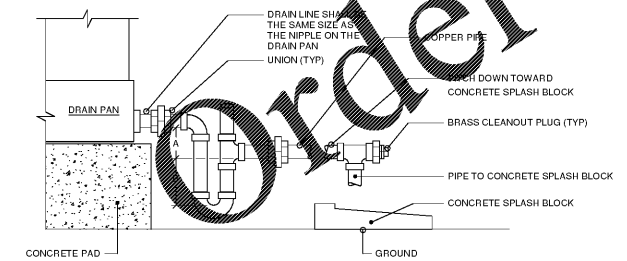


**LOW VELOCITY ELBOWS**



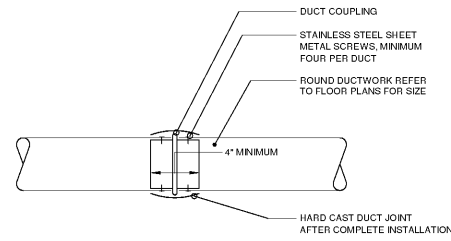
**RECTANGULAR TO RECTANGULAR TRANSITIONS**

**2 DETAIL - RECTANGULAR DUCT FITTINGS**  
SCALE: N.T.S.

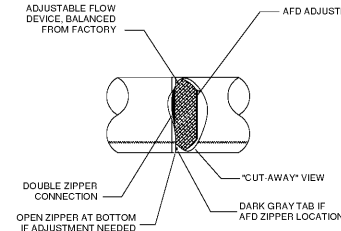


**NOTES:**  
1. REFER TO MANUFACTURER'S WRITTEN INSTRUCTIONS FOR PIPE SIZES AND TRAP CONFIGURATION.

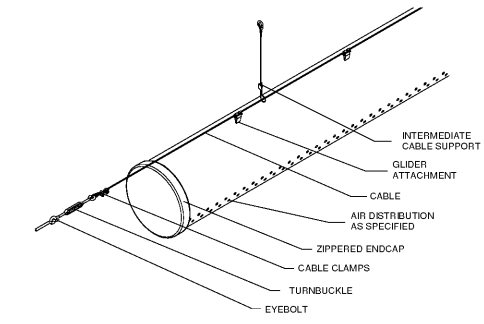
**3 DETAIL - COIL CONDENSATE DEEP SEAL TRAP (PAD)**  
SCALE: N.T.S.



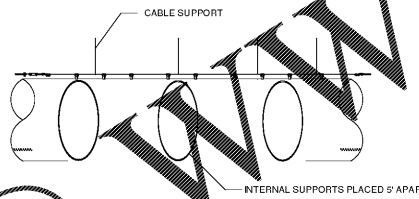
**4 DETAIL - ROUND DUCT JOINT**  
SCALE: N.T.S.



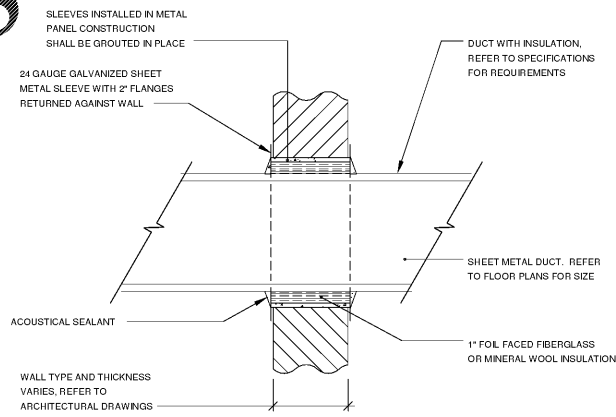
**8 DETAIL - ADJUSTABLE FLOW DEVICE**  
SCALE: N.T.S.



**5 DETAIL - SINGLE ROW SUSPENSION - FABRIC DUCT**  
SCALE: N.T.S.

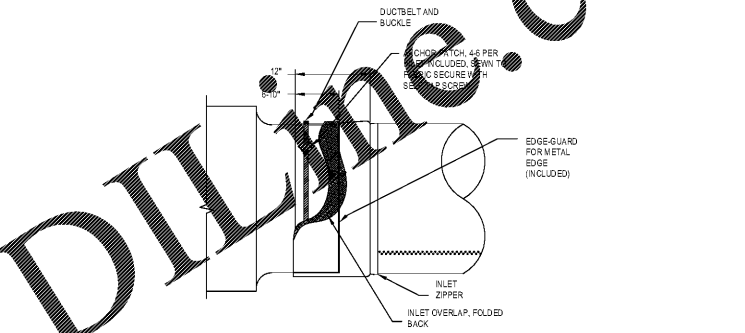


**6 DETAIL - FABRIC DUCT INTERNAL SUPPORT**  
SCALE: N.T.S.

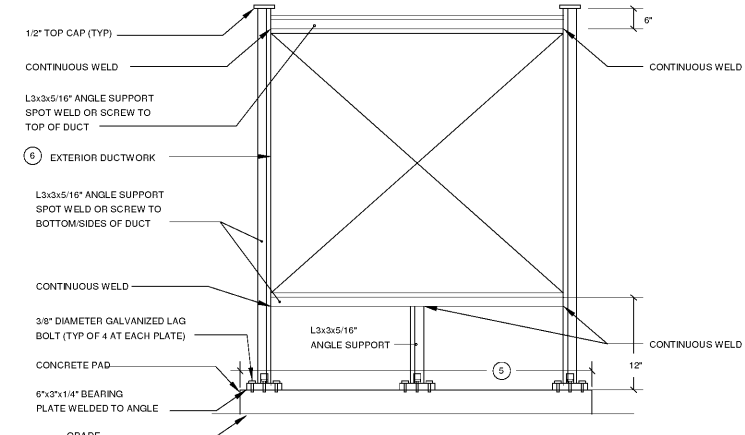


**NOTES:**  
1. PROVIDE GALVANIZED SHEET METAL SLEEVES FOR DUCTWORK PASSING THROUGH ALL FULL HEIGHT WALLS, FIRE RATED PARTITIONS OR SMOKE PARTITIONS. DUCT SLEEVES SHALL BE LARGE ENOUGH TO PASS DUCT WITH INSULATION AND SHALL HAVE 2 (TWO) INCH FLANGES RETURNED AGAINST WALL OR PARTITION. WHERE FIRE DAMPERS ARE REQUIRED, PROVIDE SLEEVES AS REQUIRED BY THE DAMPER MANUFACTURER.  
2. AT ALL SLEEVES, WHERE NOISE CAN BE TRANSMITTED AND AT FIRE RATED SEPARATIONS, SEAL ALL OPENINGS BETWEEN DUCTS AND CORRESPONDING SLEEVE TO PREVENT SOUND TRANSMISSION AND MAINTAIN FIRE RATING OF THE WALL. SUBMIT METHOD OF SEALING SLEEVES FOR APPROVAL. U.L. ASSEMBLY RATING OF FIRE WALLS SHALL BE MAINTAINED AT ALL TIMES. ALL SLEEVES INSTALLED IN METAL PANEL CONSTRUCTION SHALL BE GROUTED IN PLACE.

**7 DETAIL - ACOUSTICAL DUCTWORK PENETRATION**  
SCALE: N.T.S.

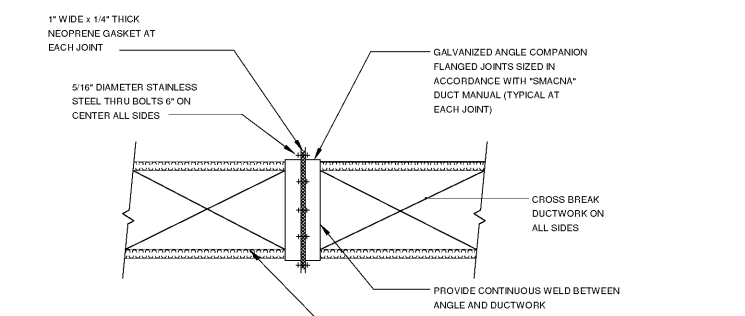


**9 DETAIL - INLET ATTACHMENT**  
SCALE: N.T.S.



**NOTES:**  
1. ALL STEEL SUPPORTS SHALL BE PAINTED WITH 2 COATS OF EPOXY PAINT.  
2. PROVIDE SUPPORTS IN ACCORDANCE WITH "SMACNA" DUCT MANUAL FOR MINIMUM 4" STATIC PRESSURE DUCT CONSTRUCTION. SUPPORT SPACING MAXIMUM 10' 0" ON CENTER.  
3. PROVIDE JOINT SEALER UNDER ALL LAP JOINTS TOP LONGITUDINAL SEAMS ARE NOT ALLOWED.  
4. CONTRACTOR SHALL FIELD VERIFY EXISTING GROUND CONDITIONS AND GYM STRUCTURE.  
5. COORDINATE DUCT SUPPORT FRAME DIMENSIONS WITH ACTUAL INSTALLATION AND FIELD CONDITIONS.  
6. REFER TO DETAIL FOR "EXTERIOR DUCT CONSTRUCTION".

**10 DETAIL - EXTERIOR MOUNTED DUCTWORK SUPPORT**  
SCALE: N.T.S.



**NOTES:**  
1. DUCT CONSTRUCTION SHALL BE SUITABLE FOR MINIMUM 10" WATER GAUGE STATIC PRESSURE.  
2. INSTALL ALL SEAMS ON BOTTOM SIDE OF DUCT, PROVIDE WATERTIGHT CONSTRUCTION.

**11 DETAIL - EXTERIOR DUCT CONSTRUCTION**  
SCALE: N.T.S.

Order Plans

WWW.LDILLING.COM

**BROCKETT ELEMENTARY SCHOOL  
GYM HVAC DESIGN**  
1855 Brockett Road  
Tucker, Georgia 30084

**STANLEY  
LOVE  
STANLEY  
P A C**

ARCHITECTURE  
INTERIORS PLANNING  
PROGRAM MANAGEMENT  
1166 SPRING STREET, N.W.  
ATLANTA, GEORGIA 30309-3819  
404-576-0256  
www.stanleylove.com

MECHANICAL DETAILS

PROFESSIONAL SEAL  
**GEORGIA**  
REGISTERED PROFESSIONAL ENGINEER  
DANIEL NOTO

CONSULTANT

SCALES AS STATED HEREON ARE VALID ON THE ORIGINAL DRAWING. THE DIMENSIONS OF THIS DRAWING SHALL BE IN ACCORDANCE WITH THE DIMENSIONS OF THE ORIGINAL DRAWING.

THIS DRAWING IS THE PROPERTY OF STANLEY LOVE ARCHITECTURE, P.C. AND IS NOT TO BE REPRODUCED OR COPIED IN WHOLE OR IN PART. IF ANY PART OF THIS DRAWING IS REPRODUCED OR COPIED IN WHOLE OR IN PART WITHOUT THE WRITTEN PERMISSION OF STANLEY LOVE ARCHITECTURE, P.C., THE USER SHALL BE RESPONSIBLE FOR OBTAINING THE NECESSARY PERMISSION FROM THE ORIGINAL OWNER OF THE PROJECT. IT IS TO BE RETURNED UPON REQUEST.

COPYRIGHT © 2016. ALL RIGHTS RESERVED BY STANLEY LOVE ARCHITECTURE, P.C.  
DRAWING NO.  
DATE  
01/06/2020  
PROJECT NO.  
6919.9  
DRAWING NO.

**M-401**

RELEASED FOR CONSTRUCTION 01/06/2020