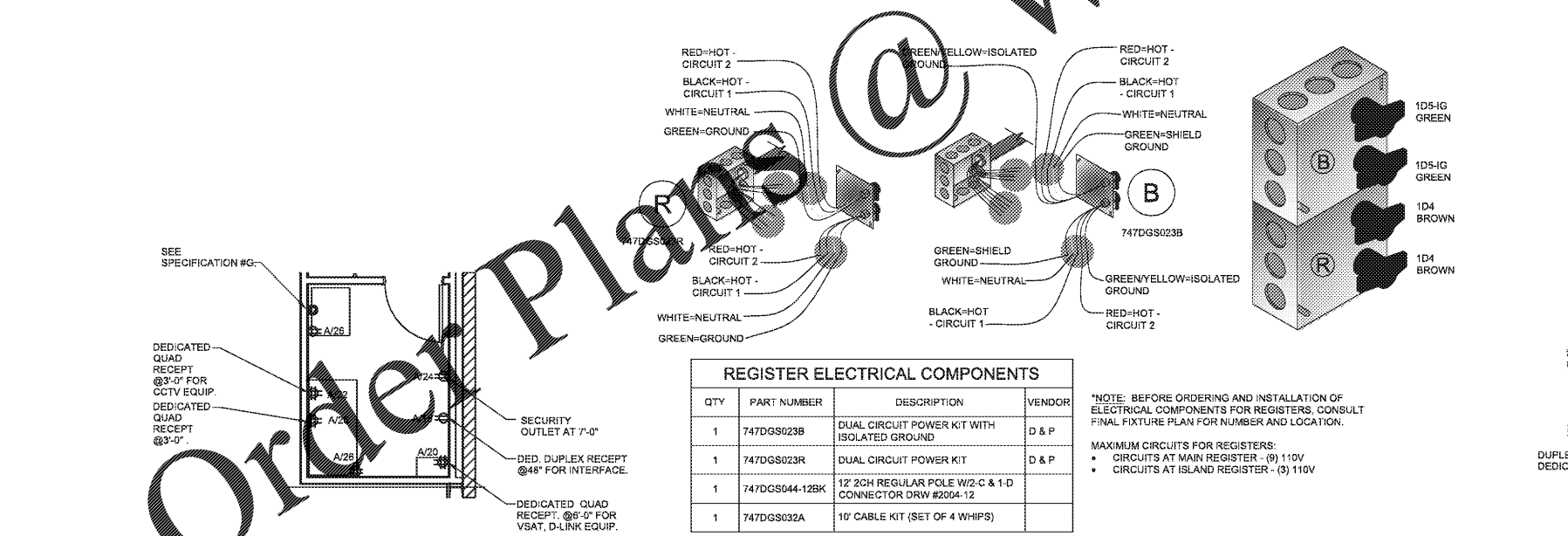


LEGEND	
SYMB	DESCRIPTION
	BUZZER (TORK TA725) WITH TRANSFORMER (TORK TA992)
	COMMERCIAL GRADE PUSH BUTTON
	125V NEMA 5-15R DUPLEX
	125V NEMA 5-15R QUAD
	125/250V NEMA L14-15-R 4-PRONG TWIST-LOCK
	DISCONNECT
	BLACK MAGIC POWER POLE
	PHONE JACK AT REGISTER
	RJ-11, RJ-45 DATA JACK, PHONE COMBO AT OFFICE
	PANEL/CIRCUIT NUMBER
	20 AMP TOGGLE SWITCH
	PROVIDE OCCUPANCY LIGHT SENSOR (LEVITON ODS104DW)
	NIGHT LIGHT CIRCUIT

- ### ELECTRICAL SPECIFICATIONS
- ALL WIRING SHALL BE CONTAINED IN CONDUIT OF PROPER SIZE.
 - ALL WIRING SHALL CONFORM TO LOCAL, STATE AND FEDERAL CODES.
 - SERVICE IS TO BE A MINIMUM 400 AMP, 3 PHASE (PREFERRED), 600 AMP, 1 PHASE OR LARGER IF REQUIRED BY CODE OR ELECTRICAL LOAD.
 - REQUIRED CUSTOM BUILT POWER POLE ASSEMBLIES AVAILABLE FROM D&P CUSTOM LIGHTS & PRODUCTS INC. PHONE: (800) 251-2200 OR (615) 350-7800, 7111 COCKRILL BEND INDUSTRIAL ROAD, NASHVILLE, TN 37209. SEE E3.1.
 - EXTERIOR EXPOSED PHONE LINES TO BE INSTALLED IN RIGID CONDUIT. PROVIDE REASONABLE 5-FT. METALLIC CABLE U-GUARD #750. COILED.
 - ELECTRICAL PANELS TO BE LABELED CORRECTLY WITH LEGIBLE PRINT.
 - LOW VOLTAGE VENDOR TO PROVIDE AND INSTALL ONE (1) 24 GA. TWISTED PAIR, CATEGORY-FIVE (CAT5) DATA CABLE WITH MODULAR COMBO RJ-11/RJ-45 JACK AT EACH OFFICE. CABLE TO BE RUN FROM JACK TO DATA HUB. CABLE WITH 6'-0" LEFT COILED FOR INSTALLATION TO DATA HUB. A RJ-45 MALE FITTING SHOULD BE CRIMPED ON THIS END. DOLLAR GENERAL OPENING TEAM WILL MAKE FINAL CONNECTION INTO THE DATA HUB.
 - PROVIDE 1 1/2" EMT CONDUIT TO ACT AS ACCESS SLEEVE TO ALLOW PHONE COMPANY TO TERMINATE AT DMARC. CONTRACTOR TO PROVIDE AND INSTALL PHONE WIRING & RJ-11 PHONE JACK FOR COMPLETED WORKING SYSTEM PRIOR TO PHONE COMPANY FINAL HOOK UP.
 - ALL 120 VOLT OUTDOOR RECEPTACLES TO HAVE "WET LOCATION - IN USE" COVERS.
 - ALL CONDUCTORS TO BE COPPER, #12 AWG MINIMUM SIZE, OR AS REQUIRED BY LOAD AND OVER CURRENT PROTECTION.
 - SEE EMS SHEETS EMS1 AND EMS2 FOR ENERGY MANAGEMENT SYMBOLS AND INFORMATION.
 - ELECTRICIAN TO PROVIDE 1 1/2" CONDUIT WITH PULL STRINGS FOR SATELLITE LOCATION.
 - ALL POWER AND DATA TO BE ROUTED OVERHEAD UNDER SLAB NOT ALLOWED.
 - WIRE SIZE TO BE #8 OR #10 FOR ALL COOLERS/FREEZERS.
 - MOUNT ALL REFRIGERATOR OUTLETS AT 12" AFF.

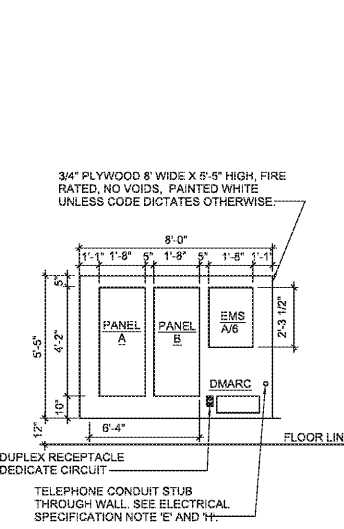
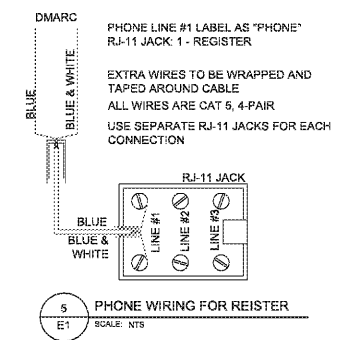
- ### ELECTRICAL KEYED NOTES
- CONTROL STATION FOR STAND ALONE DUOXT DETECTOR. ONE FOR EACH DEVICE. SEE KEY NOTE 5 ON THIS SHEET. SIMPLEX #4098-9842 IS SPECIFIED. WITH PIEZO AND LED INDICATOR.
 - MECHANICAL THERMOSTAT AT 6'-0" A.F.F.
 - LOCATIONS SHOWN FOR MECHANICAL UNITS ARE ONLY APPROXIMATE. CONTRACTOR MUST CONSULT MECHANICAL OR STRUCTURAL DRAWINGS TO DETERMINE ACTUAL UNIT LOCATIONS. PROVIDE 1/2" C. PENETRATION THRU ROOF WITHIN FOOTPRINT OF UNIT FOR USE WITH CONTROL WIRING TO UNIT BY OTHERS. PROVIDE PROPER WATERSEAL. (TYPICAL)
 - FACTORY MOUNTED CONVENIENCE OUTLET (ELECTRICAL CONTRACTOR TO PROVIDE IF NOT FACTORY INSTALLED). PROVIDE CIRCUIT AS SHOWN. WIRE ALL WITH THIS NOTE TO A SPARE BREAKER IN PANEL "A" IF THEY ARE NOT POWERED.
 - PHOTOELECTRIC DUCT DETECTOR WITH HOUSING. TIE TO LED READOUT RECESSED IN DUCT. STAND ALONE DEVICE. 120V. SIMPLEX #4098-9842 IS SPECIFIED WITH 4098-9842 CONTROL STATION. PROVIDE ONE DEVICE PER UNIT. MOUNT DEVICE IN SUPPLY AIR DUCTWORK. DEVICE SHALL BE PROVIDED AND WIRED TO THE CONTROL STATION BY THE ELECTRICAL CONTRACTOR. HIRE THE MECHANICAL CONTRACTOR FOR INSTALLATION IN DUCTWORK & CONNECTION TO SHUTDOWN CONTROLS. ELECTRICAL CONTRACTOR SHALL PROVIDE ALL REQUIRED RELAYS AND 120V POWER. DO NOT POWER DUCT DETECTORS FROM HVAC UNIT. LOW VOLTAGE. SUBMIT SHOP DRAWINGS FOR APPROVAL. PLACE ANY REQUIRED LABELING ON CEILING TILE DIRECTLY BELOW UNIT. RUN CONDUIT & WIRE UNDERGROUND FROM UNIT TO INSIDE OF SPACE.
 - MOUNT DISCONNECT SWITCH AT UNIT. ALL DISCONNECTS TO BE HEAVY DUTY. FUSES TO BE RK-5 TYPE. BUSSMANN FRN-R (AMP) IS SPECIFIED. SEE EQUIPMENT SCHEDULE ON E3.1.
 - SO WHITE ELECTRICAL CORD IS NEEDED. SEE SHEET A1, NOTE 2B.
 - CONFIRM THE FINAL NUMBER AND LOCATION OF OUTLETS IN SALES AREA WITH THE FINAL DG FIXTURE PLAN.



REGISTER ELECTRICAL COMPONENTS			
QTY	PART NUMBER	DESCRIPTION	VENDOR
1	747DGS023B	DUAL CIRCUIT POWER KIT WITH ISOLATED GROUND	D & P
1	747DGS023R	DUAL CIRCUIT POWER KIT	D & P
1	747DGS044-12BK	12' 2CH REGULAR POLE W/2-C & 1-D CONNECTOR DRW #2004-12	
1	747DGS032A	10' CABLE KIT (SET OF 4 WHIPS)	

*NOTE: BEFORE ORDERING AND INSTALLATION OF ELECTRICAL COMPONENTS FOR REGISTERS, CONSULT FINAL FIXTURE PLAN FOR NUMBER AND LOCATION.

MAXIMUM CIRCUITS FOR REGISTERS:
 • CIRCUITS AT MAIN REGISTER - (9) 110V
 • CIRCUITS AT ISLAND REGISTER - (3) 110V



2 LARGE SCALE OFFICE PLAN
E1 SCALE: NTS

4 REGISTER ELECTRICAL DETAIL
E1 SCALE: NTS

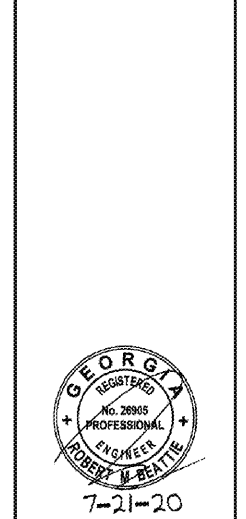
3 ELECTRICAL PANEL ELEVATION
E1 SCALE: NTS

Order Plans

UNAWARDED ONLINE

Robert E. Walker, IV
 Architect
 2229 FIRST AVE. SOUTH
 SUITE 110
 BIRMINGHAM, Alabama
 35233
 T-205.254.3212
 F-205.254.3269

ROBERT M. BEATTIE, PE
 2875 SHILOH CREEK COURT - CHANDLER, IL 60159
 800 N. WINDY LANE - 407.705.3500 - 708.448.5817 FAX
 WEBSITE: WWW.RMBECS.COM - EMAIL: RMB@RMBECS.COM
 STRUCTURAL DEPT.: 407.705.3525 - EMAIL: RMB@RMBECS.COM
 ELECTRICAL DEPT.: 407.705.3526 - EMAIL: RMB@RMBECS.COM
 MECHANICAL DEPT.: 407.705.3527 - EMAIL: RMB@RMBECS.COM



DG
DOLLAR GENERAL BUILDING
 Prototype 9100 SF E
 Store # 22323
 DG Villa Rica
 101 Prospector Drive
 Villa Rica, GA

CONSTRUCTION DOCUMENTS

PROJECT NO.: 8095.89
 ISSUED: 07/21/2020

POWER PLAN

DESIGNER'S NOTICE:
 THE DESIGN SHOWN ON THESE DOCUMENTS WAS BASED ON THE STANDARD PROTOTYPE DRAWINGS PROVIDED TO US BY DOLLAR GENERAL. THROUGH OUR OWNERS REPRESENTATIVE, THE GENERAL CONTRACTOR SHALL BE RESPONSIBLE FOR FIELD VERIFYING ALL DESIGN CONDITIONS PRIOR TO CONSTRUCTION WITH OUR FIELD ENGINEER, ARCHITECT, ARCHITECTURAL REPRESENTATIVE, ETC. ANY DISCREPANCIES BETWEEN THESE DOCUMENTS AND ACTUAL FIELD CONDITIONS SHALL BE BROUGHT TO THE ATTENTION OF THE ARCHITECT PRIOR TO ANY WORK BEING DONE. ANY REQUIRED ENGINEERING CHANGES TO MATCH THE EXISTING SITE CONDITIONS SHALL BE TREATED AS ADDITIONAL SERVICES.

E1.1