

FOUNDATION PLAN

- FOUNDATION PLAN NOTES:**
- FLOOR SLAB SHALL BE 4" THICK CONCRETE REINF W/ 5x6 Wt.4xWt.4 WWF OVER 6 MIL POLYETHYLENE MOISTURE BARRIER (WITH JOINTS LAPPED NOT LESS THAN 6 INCHES) DIRECTLY BENEATH ALL INTERIOR CONCRETE SLABS ON GRADE. (SEE SLAB ON GRADE DETAILS FOR PLACEMENT OF REINF)
 - T/SLAB/PERIMETER FTG EL = 100'-0", UNO (REFERENCE ONLY) SEE CIVIL FOR ACTUAL ELEVATION.
 - T/EXT FTG EL = 99'-0", UNO (REFERENCE ONLY) SEE PEMB DWGS FOR REQUIRED ELEVATION.
 - T/INT FTG EL = 99'-4", UNO (REFERENCE ONLY) SEE PEMB DWGS FOR REQUIRED ELEVATION.
 - SEE FOUNDATION DESIGN INFORMATION THIS SHEET FOR NET ALLOWABLE SOIL BEARING PRESSURE.
 - SEE ANCHOR BOLT SCHEDULE THIS SHEET.
 - COL BASES ARE ASSUMED "PIN" CONNECTED. MOMENT CONNECTED BASES ARE NOT ALLOWED.
 - FOR LATERAL DEFLECTION DESIGN CRITERIA SEE SCHEDULE ON GENERAL NOTES SHEET.
 - COORDINATE EDGE OF SLAB WITH BUILDING MFR FOR REQUIRED CLOSURE DETAILS.
 - SEE ARCHITECTURAL DRAWINGS FOR INTERIOR WALL DIMENSIONS, ROOF SLOPES, ELEVATIONS, ETC.
 - SEE SHEET SO.1 & SO.2 FOR STRUCTURAL GENERAL NOTES.
 - MAINTAIN STRUCTURAL SLAB THICKNESS AT ALL FLOOR SLOPES AND DEPRESSIONS.

FOUNDATION SCHEDULE

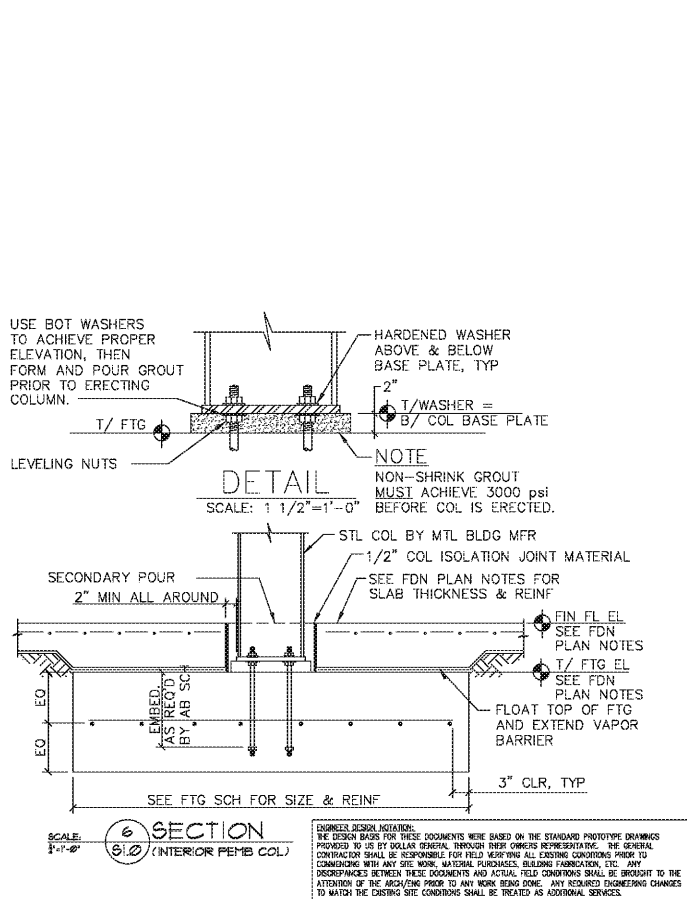
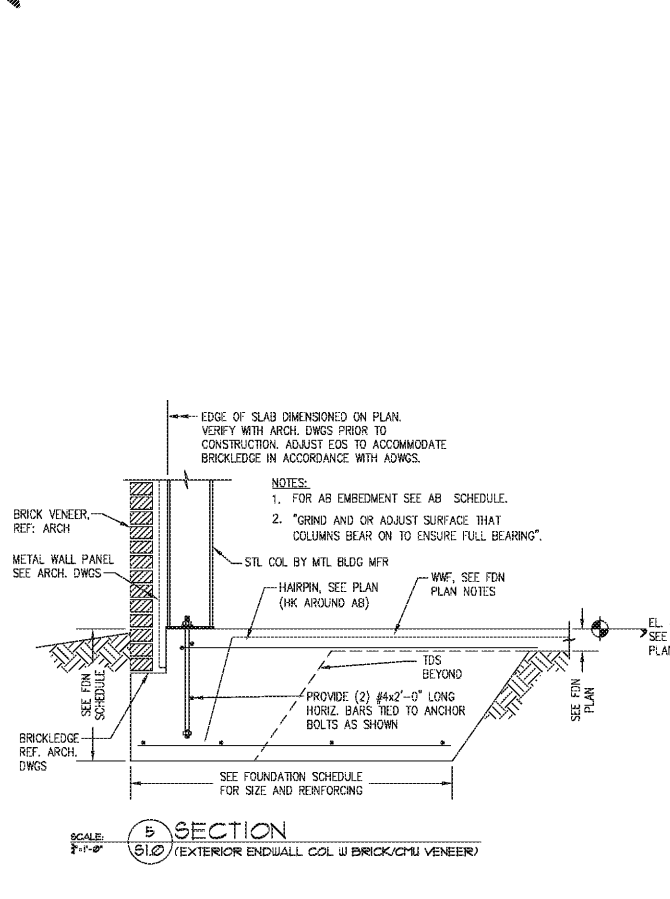
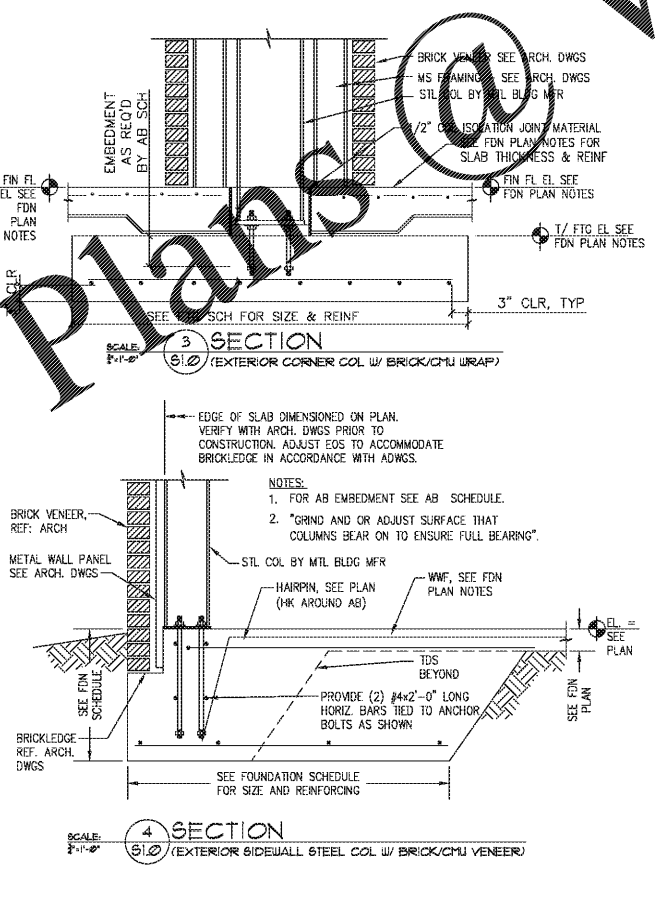
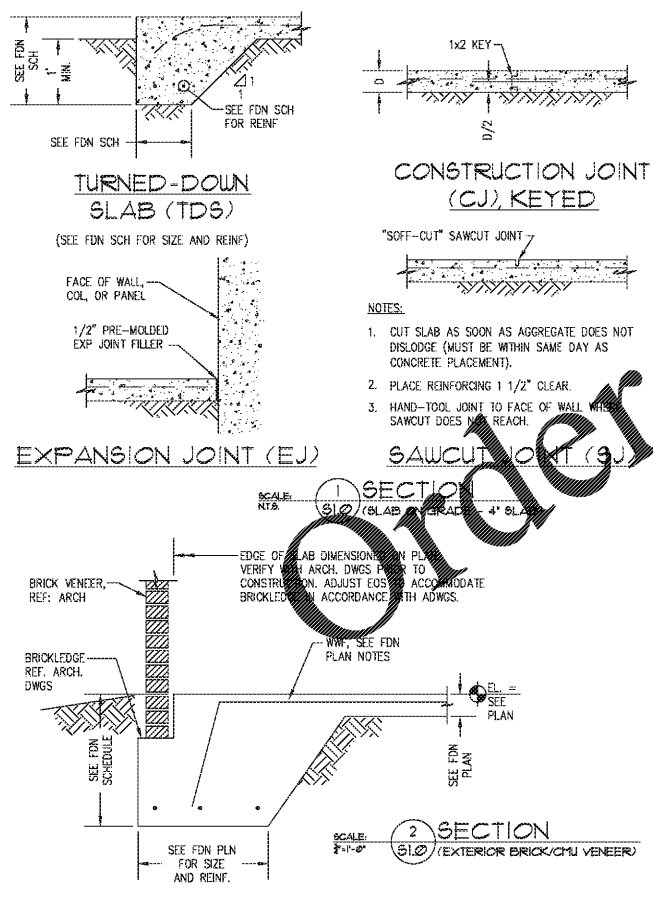
| MARK | SIZE (L x W x D) | REINFORCING | REMARKS |
|------|-------------------|--------------------------------|--|
| F1 | 4'-0"x4'-0"x2'-0" | (5) #6 EACH WAY BOT BARS | |
| F2 | 5'-0"x5'-0"x2'-0" | (6) #6 EACH WAY BOT BARS | |
| F3 | 6'-0"x6'-0"x2'-0" | (7) #6 EACH WAY BOT BARS | |
| F4 | 7'-0"x6'-0"x2'-0" | (8) #6 SW & (7) #6 LW BOT BARS | |
| TDS1 | CONT.x1'-0"x2'-0" | (2) #5 CONT. BOT BARS | TYPICAL @ PERIMETER W/O BRICK/CMU WALL |
| TDS2 | CONT.x2'-0"x2'-0" | (3) #5 CONT. BOT BARS | TYPICAL @ PERIMETER W/ BRICK/CMU WALL |

FOUNDATION DESIGN INFORMATION:

NET ALLOWABLE SOIL BEARING PRESSURE = 2,000 PSF

NET ALLOWABLE SOIL BEARING PRESSURE PER SOILS REPORT PREPARED BY TERRACON CONSULTANTS, INC. DESIGNATED REPORT NO. 4803109, DATED 07-28-10

NOTE: FOOTINGS SHALL BE MINIMUM 18" BELOW FINISHED GRADE. SHOULD CONDITIONS AT THE SITE NOT ALLOW FOR THIS TO OCCUR, THE SHOWN FOOTING PRIOR TO EXCAVATION FOR DETERMINATION OF REMEDIAL ACTION NECESSARY.



Robert E. Walker, IV
Architect

2229 FIRST AVE SOUTH
SUITE 110
BIRMINGHAM, Alabama
35233
T-205.254.3212
F-205.254.3269

ROBERT M. BEATTIE, PE

2015 GREAT DAK CORP - OWENS IL 51786
PUNY PRIME LINE LUMBER, INC. - TALL OAK 401 101 106
REDFIELD, WASH STATE CORP - ENEL, REDFILL CORP, ILL
STRUCTURAL DEPT. - 401 338 1854 - SMALL BRIDGE PERMITS, ILL
ELECTRICAL DEPT. - 401 338 1854 - SMALL BRIDGE PERMITS, ILL
PERMANENT DEPT. - 401 338 1854 - SMALL BRIDGE PERMITS, ILL

PRE-ENGINEERED METAL BUILDING ANCHOR BOLT SCHEDULE

| * DIAMETER (D) | ** MINIMUM EMBEDMENT (E) |
|----------------|--------------------------|
| 1/2" | 8" |
| 5/8" | 8" |
| 3/4" | 10" |
| 7/8" | 12" |
| 1" | 14" |
| 1 1/8" | 16" |
| 1 1/4" | 18" |

ASTM A306 STEEL
3000 PSI CONC

* DIAMETER OF BOLT BY METAL BLDG MFR.
** EMBEDMENT LENGTH BY RBE CONSULTING SERVICES, LLC

NOTES:

- SEE GEN NOTES FOR ANCHOR BOLT INFO.
- GC HAS THE OPTION TO PEEK THREADS RATHER THAN TACK WELD TO PREVENT MOVEMENT OF NUT AT BASE OF ANCHOR BOLT.
- GC HAS THE OPTION TO USE J-BOLTS IN LIEU OF THE ANCHOR BOLTS SHOWN ABOVE.



DOLLAR GENERAL BUILDING
Prototype 9100 SF E
Store # 22323

DG Villa Rica
101 Prosperitor Drive
Villa Rica, GA

CONSTRUCTION DOCUMENTS

PROJECT NO.: 8095.89
ISSUED: 07/21/2020

FOUNDATION PLAN, SECTIONS & SCHEDULES

S1.0