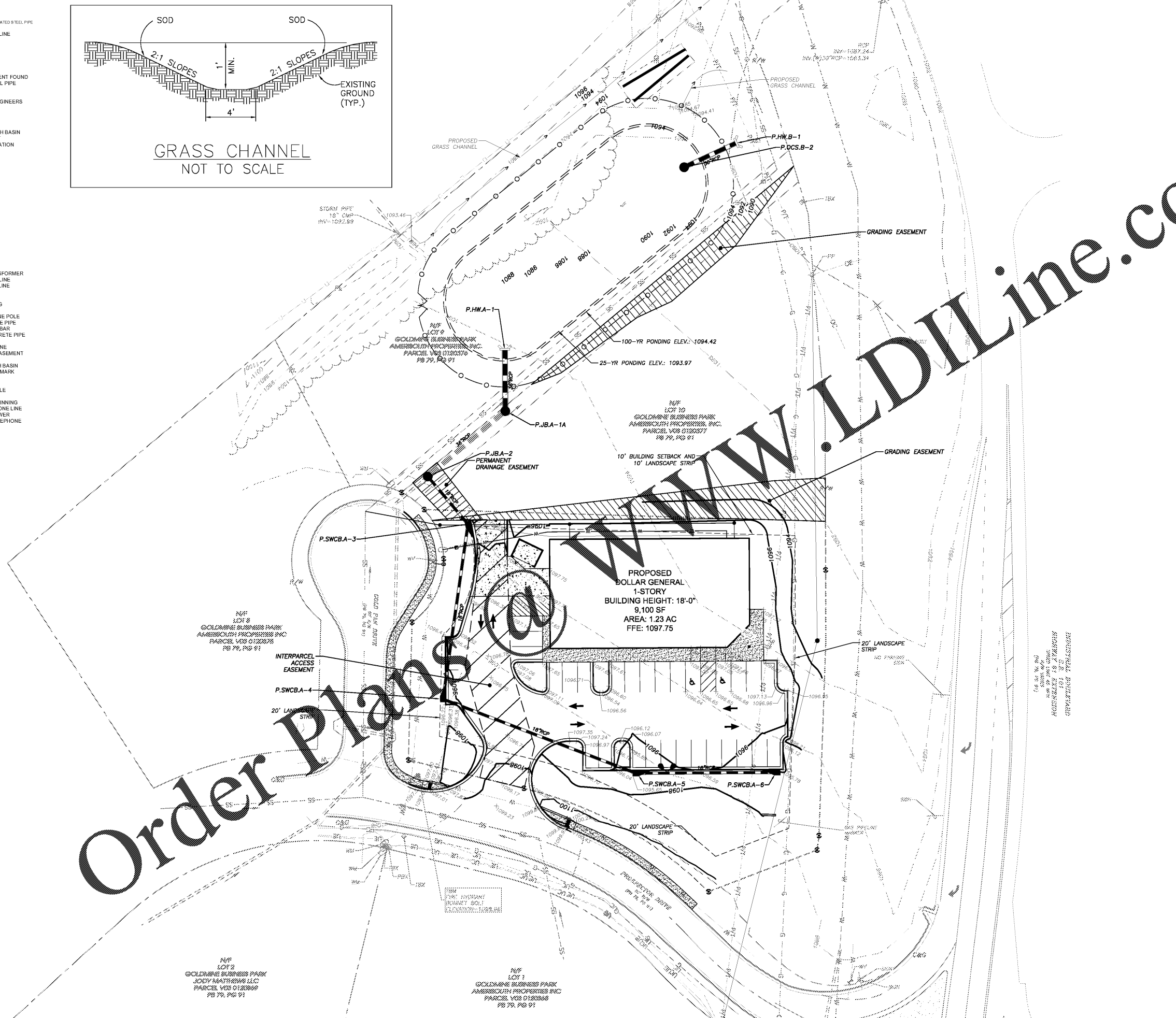
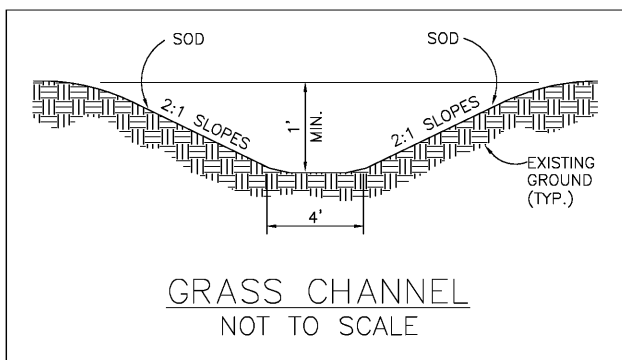


- LEGEND**
- AIF - ANGLE IRON FOUND
 - AKA - ALSO KNOWN AS
 - ACOSP - ALUMINUM CORRUGATED STEEL PIPE
 - BC - BACK OF CURB
 - BL - BUILDING SETBACK LINE
 - BWF - BIRD WIRE FENCE
 - C&G - CURB & GUTTER
 - C/T - CRIMP TOP PIPE
 - CI - CURB INLET
 - CL - CENTER LINE
 - CLF - CHAIN LINK FENCE
 - CMF - CONCRETE MONUMENT FOUND
 - CMF - CORRUGATED METAL PIPE
 - CO - CLEAN OUT
 - CONC - CONCRETE
 - CORPS - ARMY CORPS OF ENGINEERS
 - DB PG - DEED BOOK, PAGE
 - DI - DROP INLET
 - DIP - DUCTILE IRON PIPE
 - DS - DOWN SPOUT
 - DWCB - DOUBLE WING CATCH BASIN
 - EP - EDGE OF PAVEMENT
 - FE - FINISH FLOOR ELEVATION
 - FH - FIRE HYDRANT
 - G- GAS LINE
 - GM - GAS METER
 - GP - GUY POLE
 - GV - GAS VALVE
 - GW - GUY WIRE
 - HC - HANDICAP
 - HW - HEADWALL
 - HWF - HOG WIRE FENCE
 - IE - INVERT ELEVATION
 - IPF - IRON PIN FOUND
 - IPS - IRON PIN SET
 - JB - JUNCTION BOX
 - LL - LAND LOT
 - LLL - LAND LOT LINE
 - LP - LIGHT POLE
 - MH - MANHOLE
 - MON - MONUMENT
 - N/F - NOW OR FORMERLY
 - O/T - OPEN TOP PIPE
 - PBX - POWER BOX / TRANSFORMER
 - P- OVERHEAD POWER LINE
 - P/T- OVERHEAD POWER & TELE LINE
 - PL - PROPERTY LINE
 - PM - POWER METER
 - POB - POINT OF BEGINNING
 - PP - POWER POLE
 - PTP - POWER & TELEPHONE POLE
 - PVC - POLYVINYLCHLORIDE PIPE
 - RB - REINFORCING IRON BAR
 - RCP - REINFORCED CONCRETE PIPE
 - R/W - RIGHT OF WAY
 - SS- SANITARY SEWER LINE
 - SSE - SANITARY SEWER EASEMENT
 - SW - SIDEWALK
 - SWCB - SINGLE WING CATCH BASIN
 - TBM - TEMPORARY BENCHMARK
 - TBX - TELEPHONE BOX
 - TF - TRANSFORMER
 - TMH - TELEPHONE MANHOLE
 - TP - TELEPHONE POLE
 - TPOB - TRUE POINT OF BEGINNING
 - T- OVERHEAD TELEPHONE LINE
 - UP - UNDERGROUND POWER
 - UT - UNDERGROUND TELEPHONE
 - WI - WEIR INLET
 - W- WATER LINE
 - WM - WATER METER
 - WMH - WATER MANHOLE
 - WV - WATER VALVE



UTILITY LEGEND

EX OVERHEAD POWER	---OE---	OE---
EX OVERHEAD COMMUNICATION	---OC---	OC---
EX OVERHEAD POWER/TELEPHONE	P/T	
EX UNDERGROUND TELEPHONE	---UC---	UC---
EX WATER LINE	---W---	W---
EX GAS LINE	---G---	G---
EX STORM LINE		
P WATER LINE	W	
P STORM LINE		
P UNDERGROUND TELEPHONE	UT	
P OVERHEAD TELEPHONE	T	
P OVERHEAD POWER	P	
P OVERHEAD POWER/TELEPHONE	P/T	

REVISIONS

NO.	DATE	DESCRIPTION

ANY CHANGES OR ALTERATIONS MADE TO THESE CONSTRUCTION DRAWINGS WITHOUT THE WRITTEN APPROVAL OF THE SEAL SHOWN HEREON AND ANY LIABILITY ASSOCIATED WITH THIS DRAWING SHALL BE THE RESPONSIBILITY OF THE CLIENT. KEEP ON FILE FOR VERIFICATION OF ANY CHANGES. GRAPHIC SCALE



SHEET

5
OF
16

DATE: 07/24/20
 SCALE: 1"=30'
 JOB NO.: G220052.DWG
 REV'D BY: E/MH
 DRAWN BY: JRS

Rochester & Associates, Inc.
 286 Highway 314, Suite A • Fayetteville, Georgia 30214
 (770) 716-8123 • Fax • www.rochester-assoc.com

GRADING AND DRAINAGE LAYOUT
 FOR:
DOLLAR GENERAL
VILLA RICA
 LAND LOT 195
 6TH DISTRICT
 CARROLL COUNTY, GA