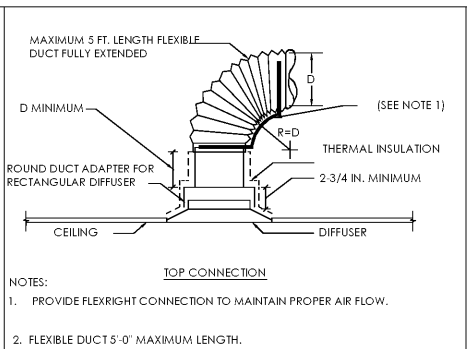
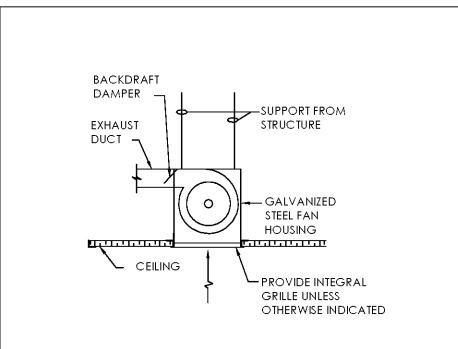


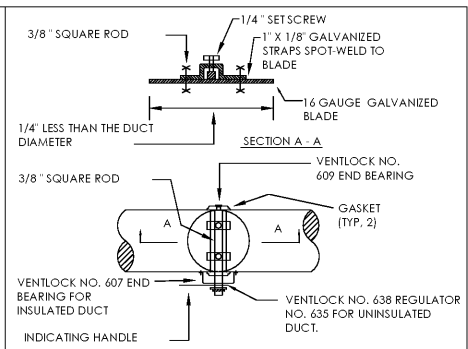
1 T-STAT ELEVATION INSTALL
 M3.0 SCALE: NOT TO SCALE



2 FLEX DUCT CONNECTION
 M3.0 SCALE: NOT TO SCALE



3 CEILING MOUNT EX. FAN
 M3.0 SCALE: NOT TO SCALE



4 MANUAL BALANCING DAMPER
 M3.0 SCALE: NOT TO SCALE

5 ZONE DAMPER
 M3.0 SCALE: NOT TO SCALE

Order Plans @ www.LDILine.com

ROCK POINT BANK
 401 Chestnut Street Chattanooga, Tennessee



ISSUE DATES
 INITIAL ISSUE 05-27-20

JOB NO. 20-011 | DWN KP | CK'D OGE
M3.0
 MECHANICAL
 DETAILS