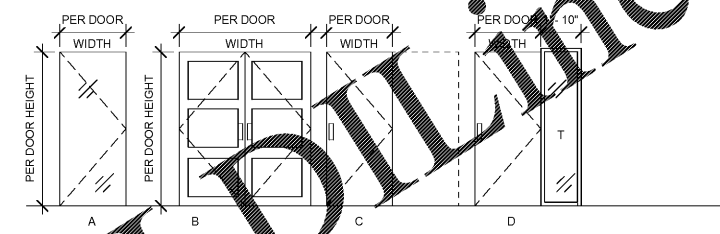
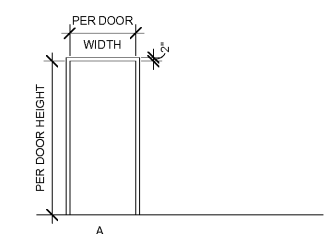


DOOR SCHEDULE

MARK	TYPE	DOOR		DOOR SIZE		TYPE	FRAME			HARDWARE	LEVEL	COMMENTS
		MATERIAL	DOOR FINISH	DOOR WIDTH	DOOR HEIGHT		MATERIAL	FINISH	HEAD			
I12	A	GLASS	GLASS	3'-0"	7'-0"	NONE	FRAMELESS	FRAMELESS	2	1ST FLOOR	MATCH EXISTING	
I16	A	GLASS	GLASS	3'-0"	7'-0"	NONE	FRAMELESS	FRAMELESS	2	1ST FLOOR	MATCH EXISTING	
R101	existing			3'-0"	7'-0"	NONE	FRAMELESS	FRAMELESS	1	1ST FLOOR	RELOCATED	
R102	existing			3'-0"	7'-0"	NONE	1/A8.1	1/A8.1	1	1ST FLOOR	RELOCATED	
R111	existing			3'-0"	7'-0"	NONE	FRAMELESS	FRAMELESS	2	1ST FLOOR	RELOCATED	
202	B	3 PANEL	STAINED	6'-0"	7'-0"	A	HM	PNT	1/A8.1	1/A8.1	5	2ND FLOOR FIELD WEN E0033 STANDARD FINISH
210	C	SC	STAINED	3'-0"	7'-0"	A	HM	PNT	1/A8.1	1/A8.1	2	2ND FLOOR MATCH EXISTING
211	C	SC	STAINED	3'-0"	7'-0"	A	HM	PNT	1/A8.1	1/A8.1	2	2ND FLOOR MATCH EXISTING
215	D	SC	STAINED	3'-0"	7'-0"	A	HM	PNT	1/A8.1	1/A8.1	4	2ND FLOOR MATCH EXISTING
218	D	SC	STAINED	3'-0"	7'-0"	A	HM	PNT	1/A8.1	1/A8.1	4	2ND FLOOR MATCH EXISTING
R202B	existing			3'-0"	7'-0"	A	HM	PNT	1/A8.1	1/A8.1	1	2ND FLOOR RELOCATED
R204	existing			3'-0"	7'-0"	A	HM	PNT	1/A8.1	1/A8.1	1	2ND FLOOR RELOCATED
R206	existing			3'-0"	7'-0"	A	HM	PNT	1/A8.1	1/A8.1	3	2ND FLOOR RELOCATED
R208	existing			3'-0"	7'-0"	A	HM	PNT	1/A8.1	1/A8.1	2	2ND FLOOR RELOCATED, ADD SIDE LITE
R209	existing			3'-0"	7'-0"	A	HM	PNT	1/A8.1	1/A8.1	2	2ND FLOOR RELOCATED, ADD SIDE LITE
R212	existing			3'-0"	7'-0"	A	HM	PNT	1/A8.1	1/A8.1	2	2ND FLOOR RELOCATED, ADD SIDE LITE
R213	existing			3'-0"	7'-0"	A	HM	PNT	1/A8.1	1/A8.1	2	2ND FLOOR RELOCATED, ADD SIDE LITE
R214	existing			3'-0"	7'-0"	A	HM	PNT	1/A8.1	1/A8.1	2	2ND FLOOR RELOCATED, ADD SIDE LITE
R216	existing			3'-0"	7'-0"	A	HM	PNT	1/A8.1	1/A8.1	2	2ND FLOOR RELOCATED, ADD SIDE LITE
R217	existing			3'-0"	7'-0"	A	HM	PNT	1/A8.1	1/A8.1	2	2ND FLOOR RELOCATED, ADD SIDE LITE
R219	existing			3'-0"	7'-0"	A	HM	PNT	1/A8.1	1/A8.1	2	2ND FLOOR RELOCATED, ADD SIDE LITE
R220	existing			3'-0"	7'-0"	A	HM	PNT	1/A8.1	1/A8.1	2	2ND FLOOR RELOCATED, ADD SIDE LITE
R221	existing			3'-0"	7'-0"	A	HM	PNT	1/A8.1	1/A8.1	2	2ND FLOOR RELOCATED, ADD SIDE LITE
R222	existing			3'-0"	7'-0"	A	HM	PNT	1/A8.1	1/A8.1	2	2ND FLOOR RELOCATED, ADD SIDE LITE

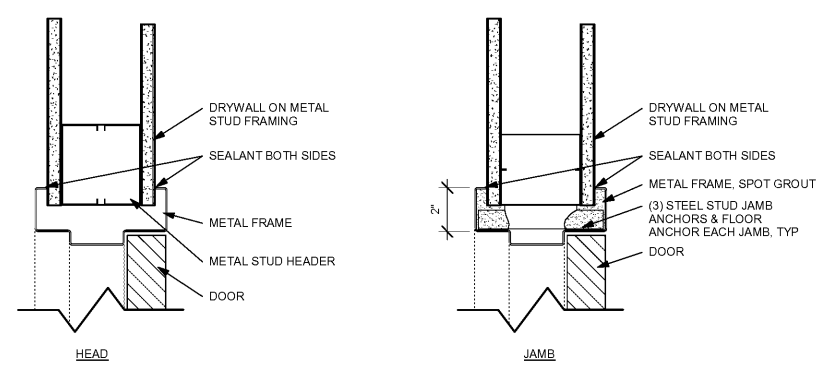


DOOR TYPE
SCALE: 1/4" = 1'-0"



FRAME TYPE
SCALE: 1/4" = 1'-0"

HARDWARE SETS	
SET #1	Passage/Closet Latcheset Latch bolt by levers at all times, no locking mechanism on this function. Always unlocked for entry. 1.5 pr. BB1279 4.5 X 4.5 626 HINGES 1 ea. 3510 WTN 626 PASSAGE LEVER 1 ea. PBF 900 689 CLOSER 1 ea. 242F 626 FLOOR STOP OR 236W 630 WALL STOP
SET #2	Office Lock Turn button locking. Turning button locks outside lever requiring use of key until button is manually unlocked. Inside lever is always free. Deadlocking latch bolt. 1.5 pr. BB1279 4.5 X 4.5 626 HINGES 1 ea. LOCKSET LEVER 1 ea. 236W 630 WALL STOP OR 242F 626 FLOOR STOP
SET#3	Storeroom Lock Deadlocking latch bolt by lever inside or key outside. Outside lever is inoperable. Inside lever is always free. 1.5 pr. BB1279 4.5 X 4.5 626 HINGES 1 ea. 3580 WTN 626 STOREROOM LEVER 1 ea. 236W 630 WALL STOP OR 242F 626 FLOOR STOP
SET#4	HARDWARE BY DOOR MANUFACTURER
SET #5	Passage/Closet Latcheset Latch bolt by levers at all times, no locking mechanism on this function. Always unlocked for entry. 3 pr. BB1279 4.5 X 4.5 626 HINGES 2 ea. 3510 WTN 626 PASSAGE LEVER 2 ea. 242F 626 FLOOR STOP OR 236W 630 WALL STOP



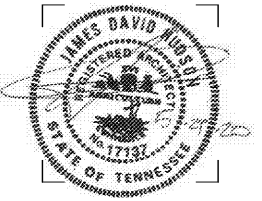
1 DOOR DETAILS
SCALE: 3" = 1'-0"

Order Plans @ www.lldilline.com

ART TECH
4743 PERZDZUWVYVHHW
FKDWDQDQZD/HWQ 6 173 ;
7561519817646
2221DWHFKLSUR

ROCK POINT BANK

401 Chestnut Street Chattanooga Tennessee



ISSUE DATES
INITIAL ISSUE 05-26-20

JOB NO. # | DWN Author | CKD Checker

A8.1
DOOR SCHEDULE & DETAILS