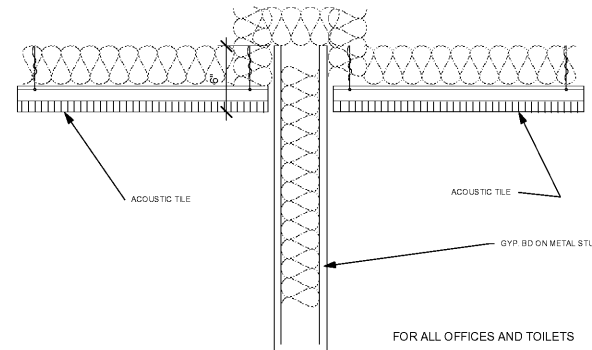
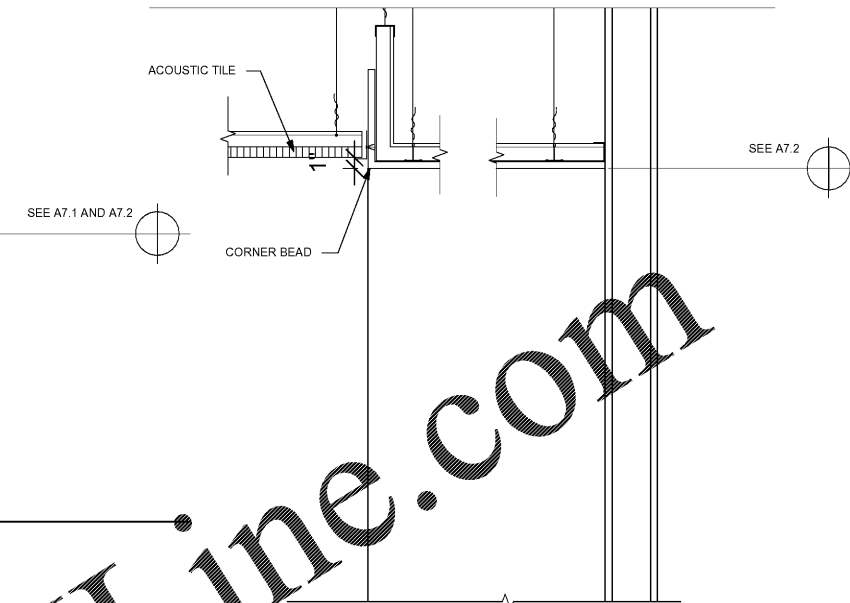


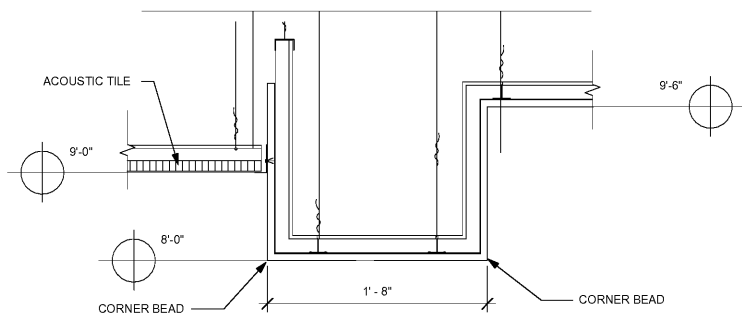
1 CEILING DETAIL
SCALE: 1 1/2" = 1'-0"



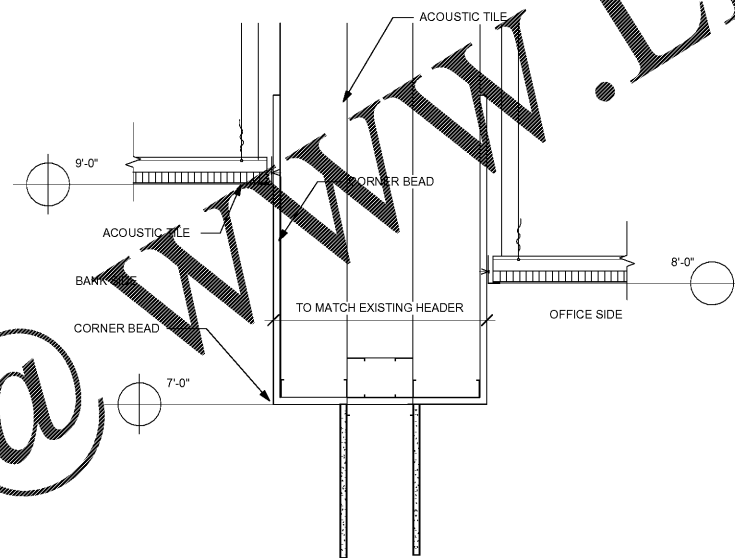
2 CEILING INSULATION TYP
SCALE: 1 1/2" = 1'-0"



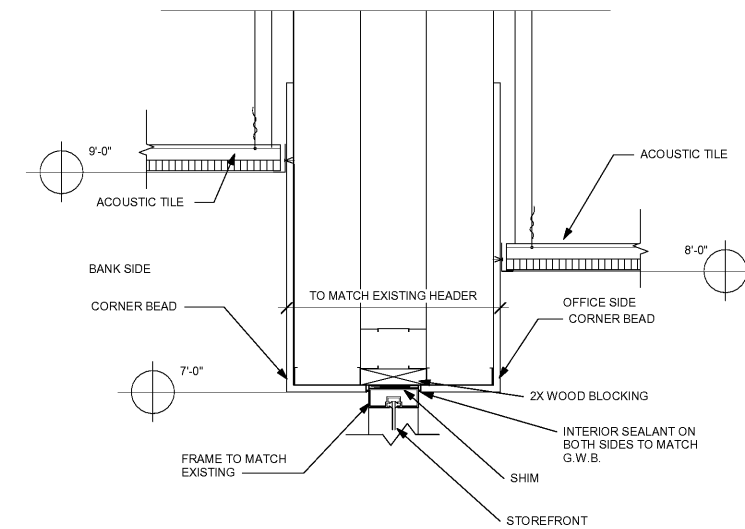
3 SOFFIT AT COUNTER
SCALE: 1 1/2" = 1'-0"



4 CEILING DETAIL - STEPPED
SCALE: 1 1/2" = 1'-0"



5 SOFFIT AND OFFICE WALL
SCALE: 1 1/2" = 1'-0"



6 SOFFIT AT NEW GLASS WALLS
SCALE: 1 1/2" = 1'-0"

Order Plans @

WWW.LDILine.com

ART
4743 FRZDUMVNDHWH
FKDMDORQJ/D/AWQ 6 1 7 3 ;
756159817646
2221DUMHFKLSUR

ROCK POINT BANK

401 Chestnut Street Chattanooga Tennessee

Owner



ISSUE DATES
INITIAL ISSUE 05/26/20

JOB NO. | DWN | CKD
| Author | Checker
A7.3
CEILING DETAILS