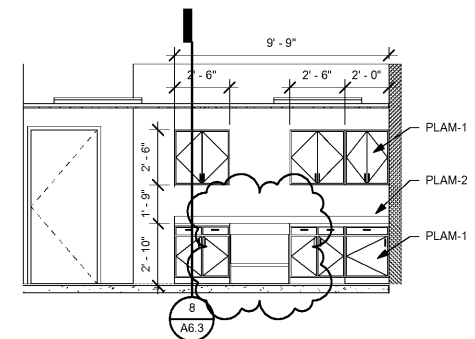
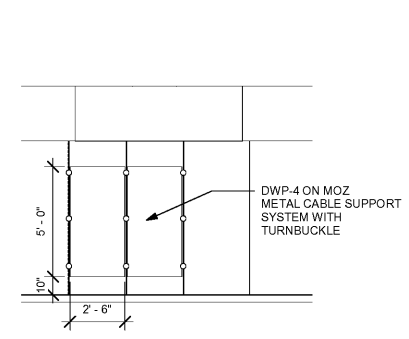


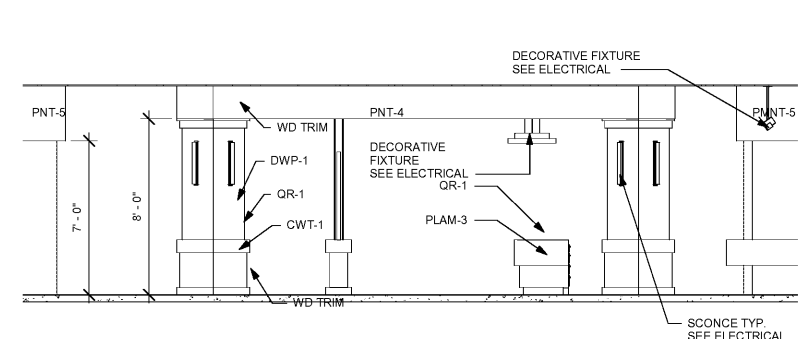
1 BOARD ROOM ELEVATION
SCALE: 1/4" = 1'-0"



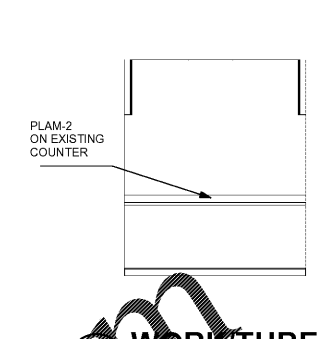
2 BREAK ROOM ELEVATION
SCALE: 1/4" = 1'-0"



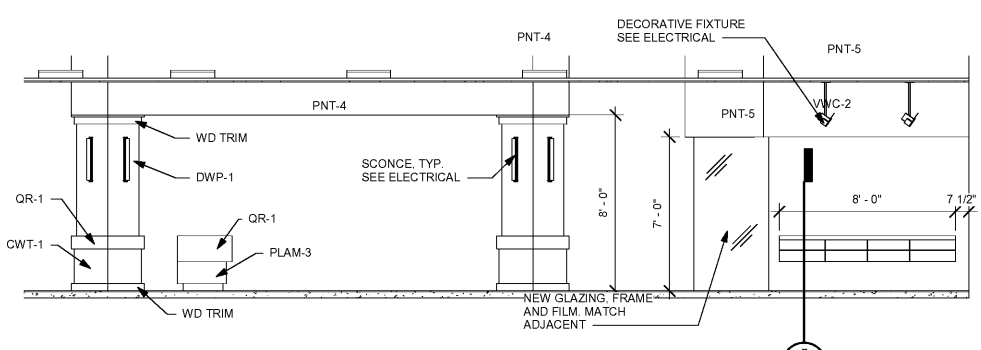
3 DIVIDER PANEL
SCALE: 1/4" = 1'-0"



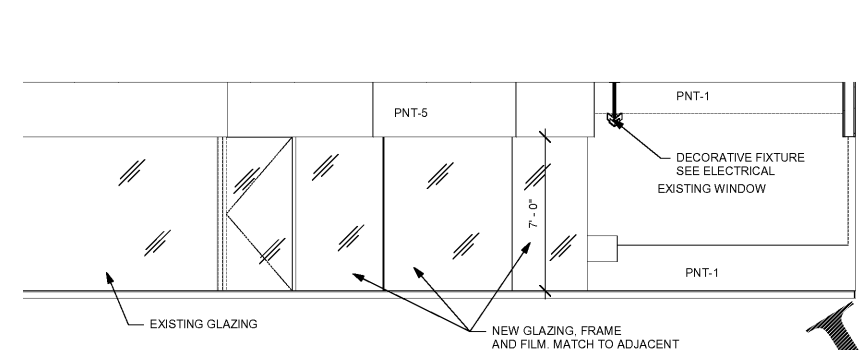
4 ELEVATION 1
SCALE: 1/4" = 1'-0"



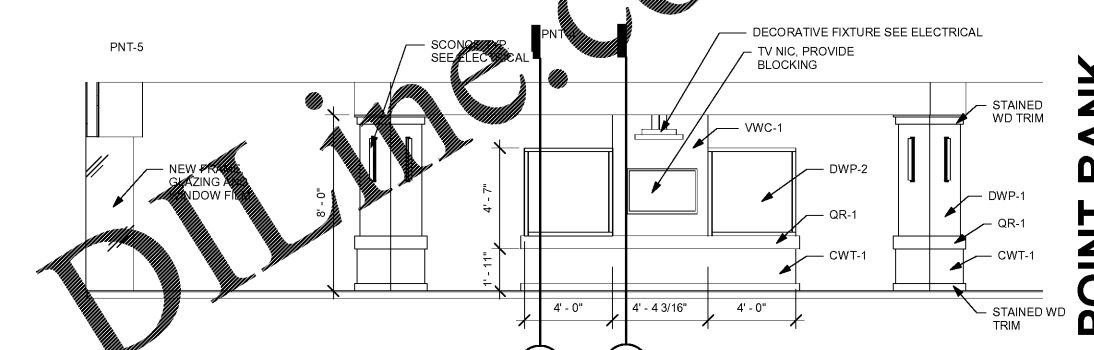
14 WORKTUBE
SCALE: 1/4" = 1'-0"



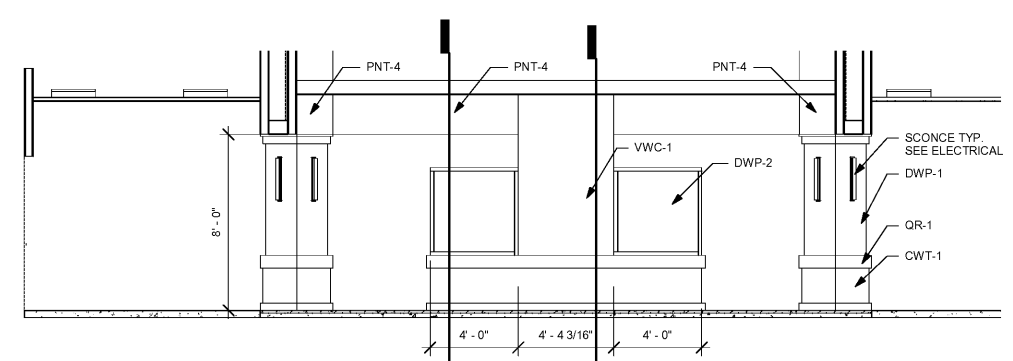
5 ELEVATION 2
SCALE: 1/4" = 1'-0"



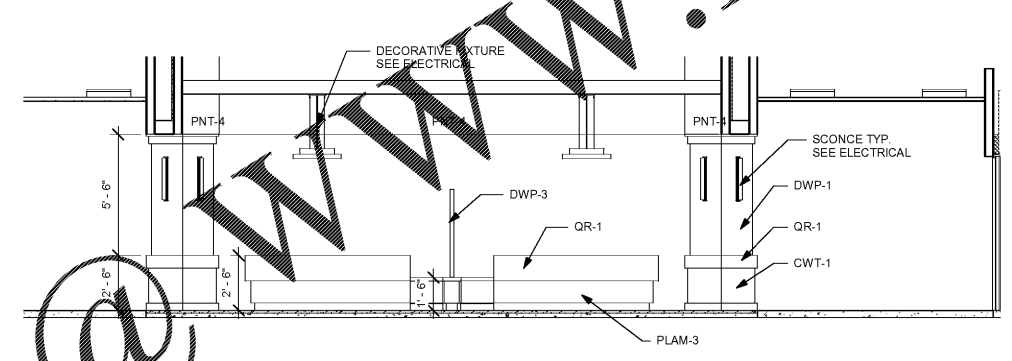
6 ELEVATION 3
SCALE: 1/4" = 1'-0"



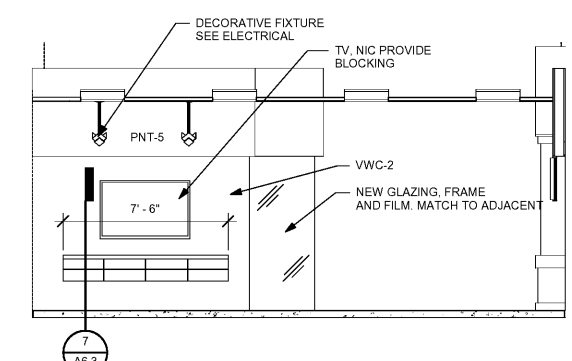
4 ELEVATION 4
SCALE: 1/4" = 1'-0"



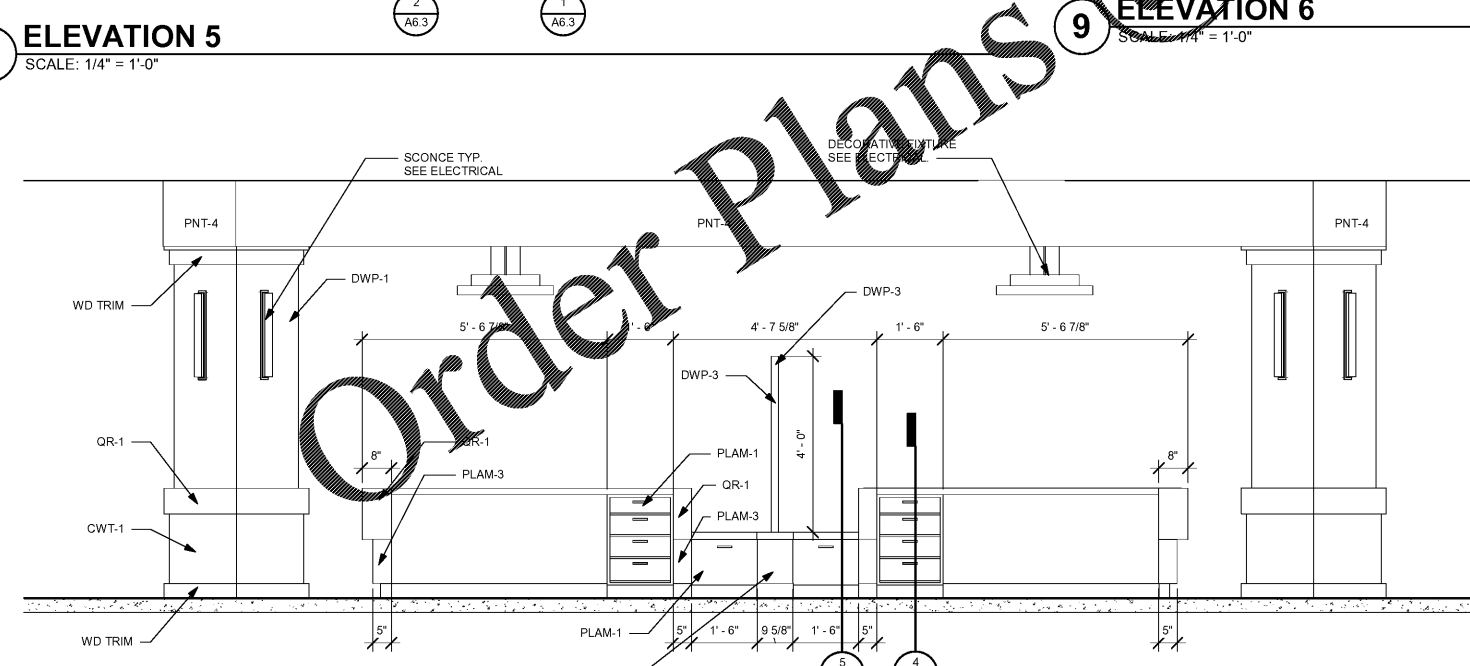
8 ELEVATION 5
SCALE: 1/4" = 1'-0"



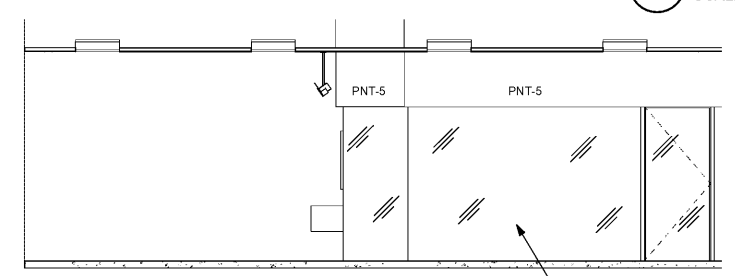
9 ELEVATION 6
SCALE: 1/4" = 1'-0"



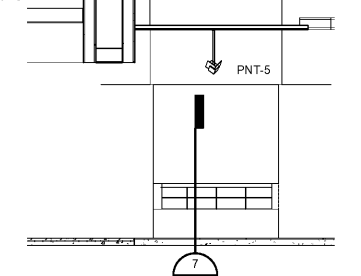
10 ELEVATION 10
SCALE: 1/4" = 1'-0"



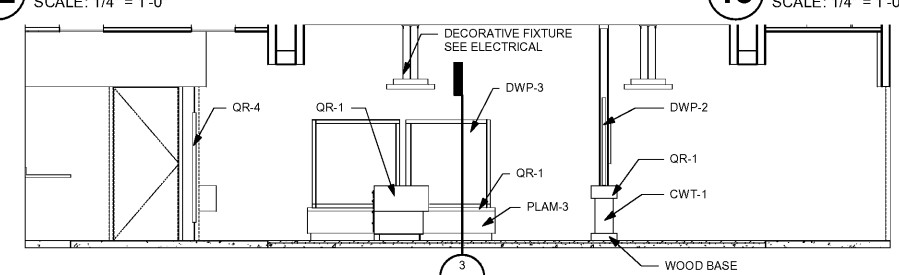
11 ELEVATION 11
SCALE: 1/2" = 1'-0"



12 ELEVATION 12
SCALE: 1/4" = 1'-0"



13 ELEVATION 13
SCALE: 1/4" = 1'-0"



15 ELEVATION 14
SCALE: 1/4" = 1'-0"

Order Plans @

WWW.LDILINE.COM



ISSUE DATES
INITIAL ISSUE 05-26-20
1 city comments 6/15/20

JOB NO. # DWN CKD
Author Checker

A6.2
INTERIOR
ELEVATIONS