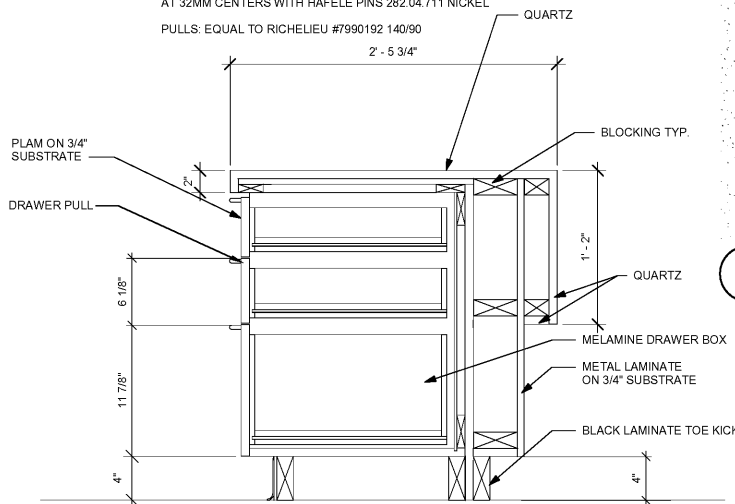
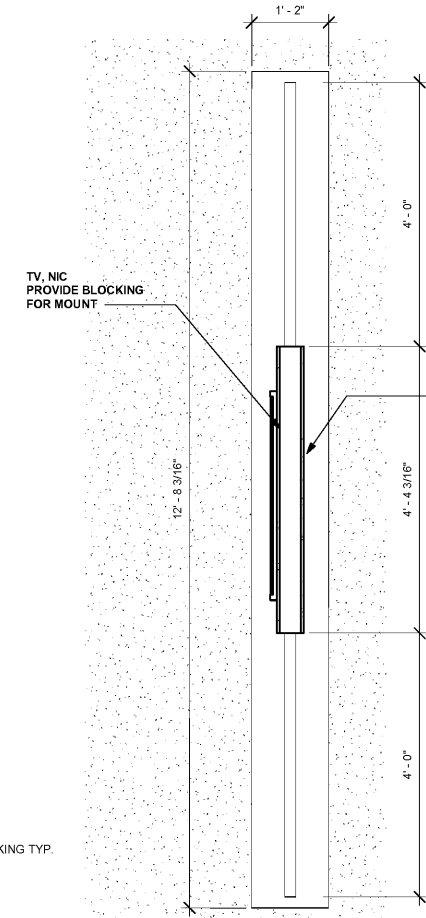


MILLWORK GENERAL NOTES:

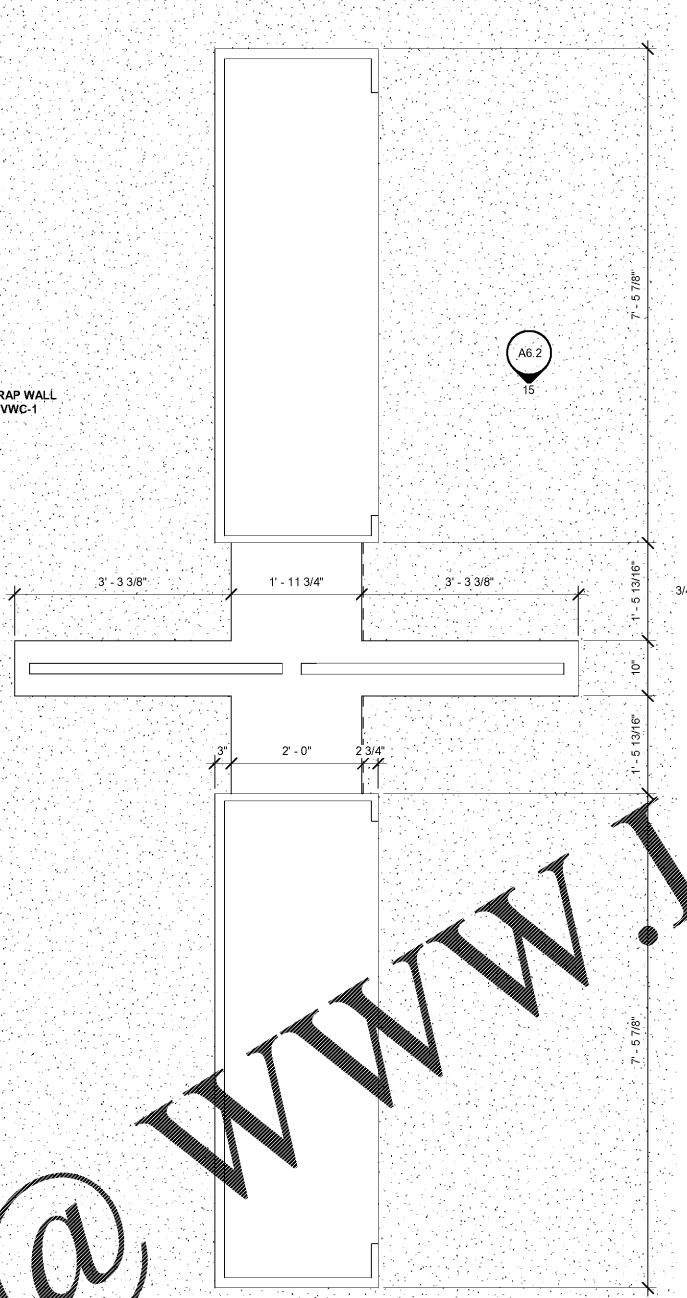
1. ALL MILLWORK CONSTRUCTION TO BE PLASTIC LAMINATE COVERED. AWI SECTION 400 CUSTOM GRADE, FLUSH OVERLAY CONSTRUCTION.
2. CONTRACTOR SHALL INSTALL ADEQUATE TREATED WOOD BLOCKING IN ALL STUD WALLS RECEIVING CASEWORK ANCHORS AND ATTACHMENTS
3. CONTRACTOR TO PROVIDE MILLWORK SHOP DRAWINGS
4. CONTRACTOR TO FIELD VERIFY ALL DIMENSIONS
5. ALL OPEN SHELVING TO COMPLY WITH AWI SECTION 400B CUSTOM GRADE.
6. DOOR AND DRAWER FRONTS TO BE 3/4" SUBSTRATE WITH PLASTIC LAMINATE FINISH ON ALL EXPOSED SURFACES
7. BODY OF DRAWERS TO BE 3/4" SUBSTRATE WITH MELAMINE FINISH ON ALL SURFACES
8. INTERIOR SHELVES TO BE 3/4" SUBSTRATE WITH MELAMINE FINISH ON ALL SIDES. COLOR TO MATCH THE INTERIOR OF THE CABINET IN WHICH IT OCCURS, UNLESS NOTED OTHERWISE
9. ALL SURFACES ON THE INTERIOR OF THE CABINETS TO BE MELAMINE CLAD.
10. USE 2" GROMMETS AT COMPUTER STATIONS. FIELD INSTALL AT OWNERS DIRECTION
11. ALL NON METAL UNDERCOUNTER SUPPORT BRACKETS TO BE PLASTIC LAMINATE CLAD
12. ALL EXPOSED CORNERS ON WORKSURFACES TO HAVE A RADIUS EDGE.
13. HARDWARE TO BE EQUAL TO:
 - HINGES: CONCEALED, SELF CLOSING GRASS 1003
 - SLIDES: BLUM 230M
 - BUMPERS: BLUM #TP-1950
 - STANDARDS AND CLIPS: KV225, ZING OR HOLES BORED AT 32MM CENTERS WITH HAFELE PINS 262.04.71.1 NICKEL
 - PULLS: EQUAL TO RICHELIEU #7990192 140/90



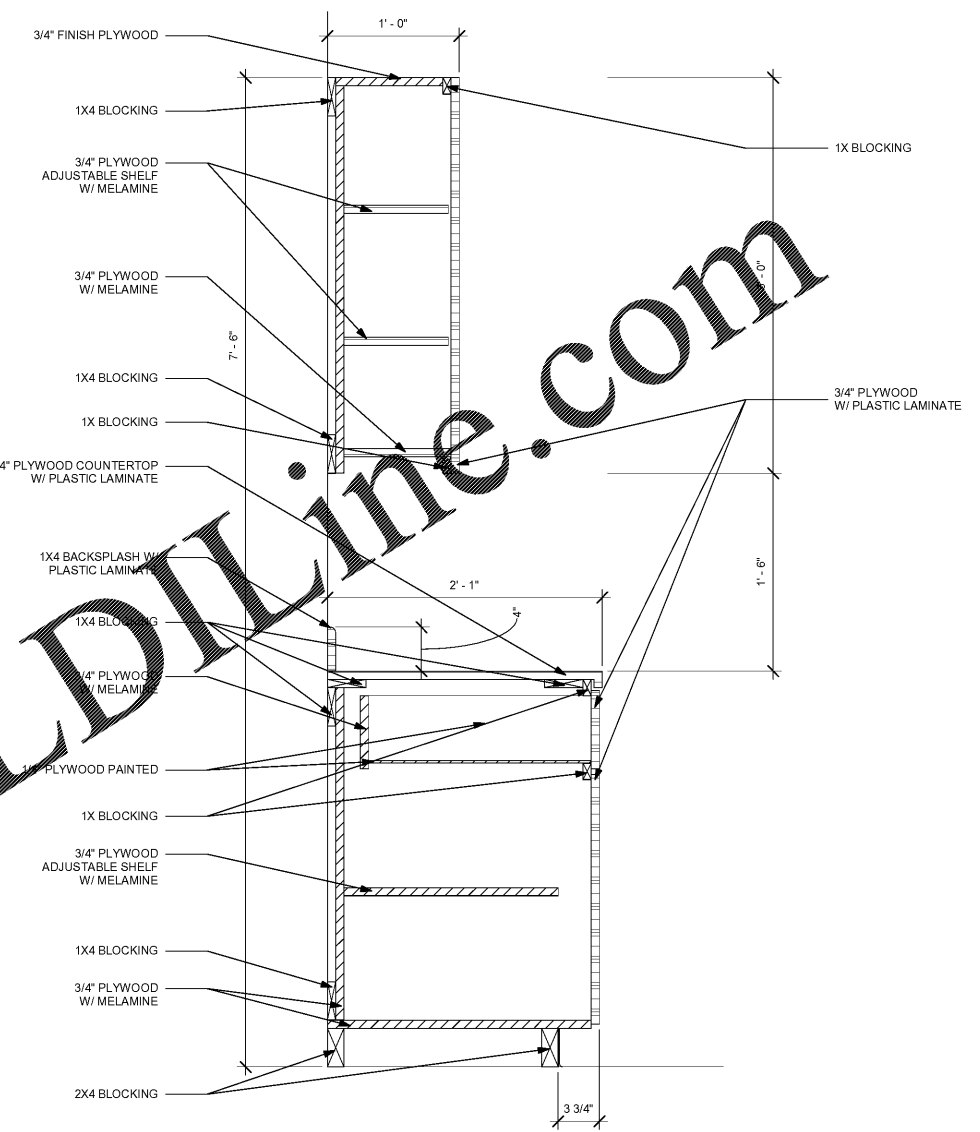
4 RECEPTION AT TRANSACTION
SCALE: 1 1/2" = 1'-0"



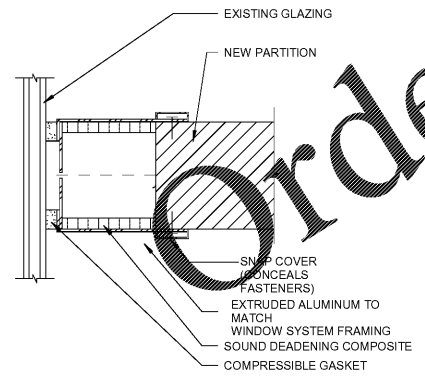
2 PRIVACY WALL
SCALE: 3/4" = 1'-0"



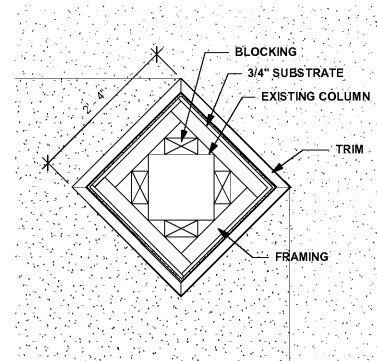
3 UNIVERSAL TELLERS
SCALE: 3/4" = 1'-0"



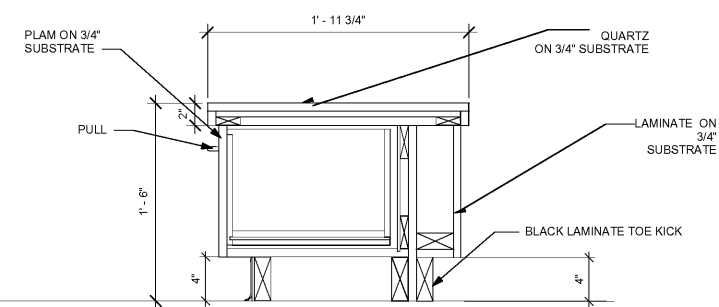
8 TYPICAL CABINETS
SCALE: 1 1/2" = 1'-0"



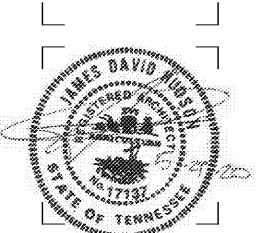
6 WALL AT GLAZING
SCALE: 3" = 1'-0"



1 COLUMN TYP.
SCALE: 3/4" = 1'-0"



5 SECTION AT RECEPTION DESK
SCALE: 1 1/2" = 1'-0"



ISSUE DATES
INITIAL ISSUE 05-26-20

JOB NO. # | DWN | CKD
Author | Checker

A6.1
ENLARGED PLANS
AND DETAILS