

ELECTRICAL SYMBOLS LEGEND

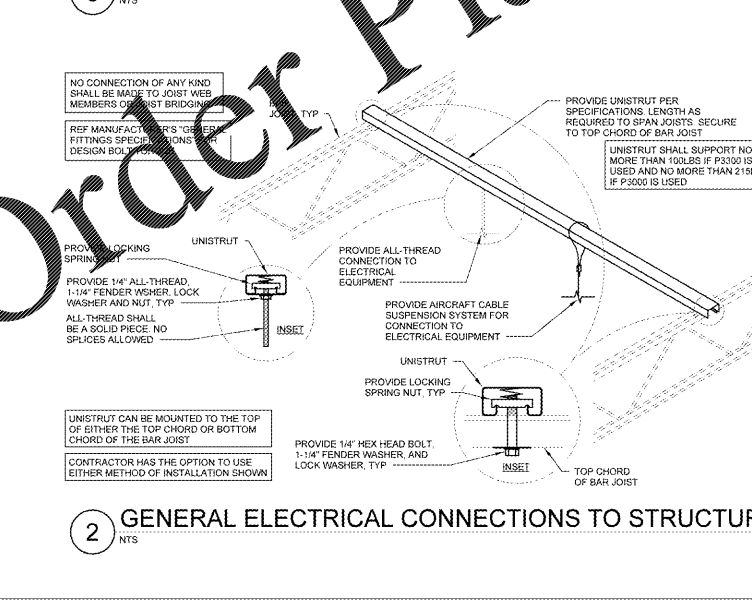
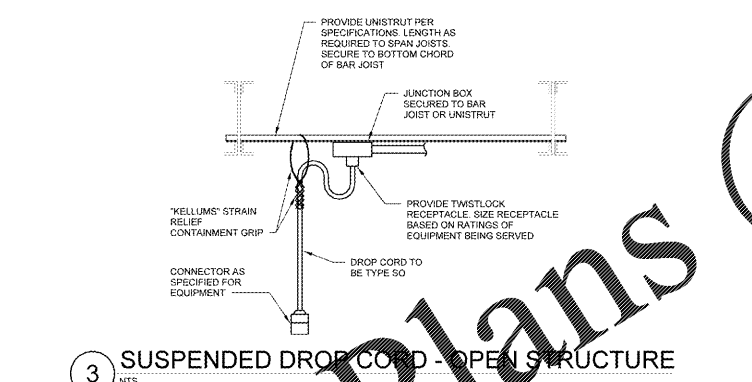
Table with 2 columns: SYMBOL and DESCRIPTION. Lists various electrical components like light fixtures, switches, dimmers, and their corresponding symbols.

VOICE/DATA ROUGH-IN SCHEDULE

Table with 2 columns: DROP and ROUGH-IN NOTES. Contains notes regarding flush mount junction boxes and surface mount junction boxes.

BUILDING ELECTRICAL SERVICE LOAD SUMMARY table. Includes columns for LOAD DESCRIPTION, Connected KVA, Demand Factor, and Demand KVA. Lists various loads like HVAC, lighting, and receptacles.

COORDINATE ALL CHANGES TO EXISTING ELECTRICAL SERVICE AND METERING WITH UTILITY COMPANY. STORE ADDRESS: WALMART GENERAL REMODEL, 1112 NEW FOUNTAIN BLVD, LELAND, NC 28451. UTILITY COMPANY: BRUNSWICK EMC (810) 754-4381



3 SUSPENDED DROP COND - OPEN STRUCTURE NTS

POWER INTERRUPTION NOTE

COORDINATE ALL WORK THAT REQUIRES POWER INTERRUPTIONS TO THE STORE WITH THE STORE MANAGER AND THE WALMART CONSTRUCTION MANAGER A MINIMUM OF 48 HOURS IN ADVANCE OF ALL STORE POWER INTERRUPTIONS...

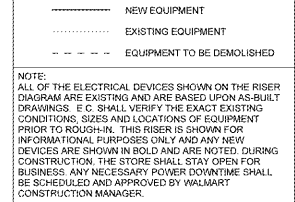
PANELBOARD NOTES ()

- 1. TERMINATE GROUND ON ISOLATED GROUND BUS. 2. INSTALL LOCKING DEVICE (LOCK-OFF FOR CRITICAL LOAD). 3. INSTALL LOCKING DEVICE (LOCK-ON FOR CRITICAL LOAD). 4. GFI BREAKER FOR PERSONNEL PROTECTION (30MA). 5. GFI BREAKER FOR EQUIPMENT PROTECTION (30MA).

GENERAL NOTES

- 1. FURNISH AND INSTALL ALL MATERIALS, EQUIPMENT AND LABOR FOR A COMPLETE INSTALLATION IN ALL RESPECTS. 2. PROVIDE SEALS AT RACEWAY PENETRATIONS AS FOLLOWS: A. FIRE RATED WALLS...

ONE-LINE DIAGRAM LEGEND



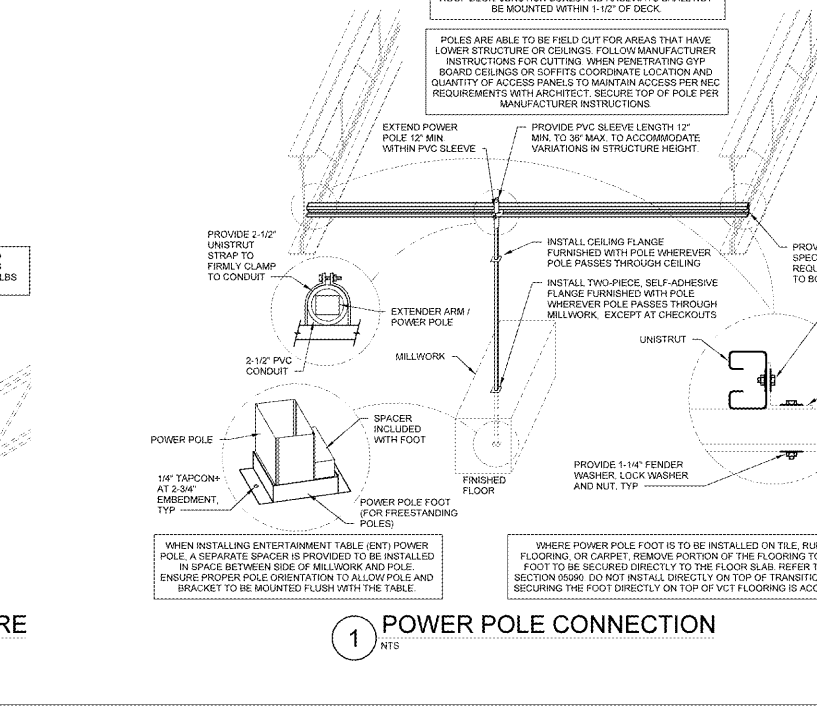
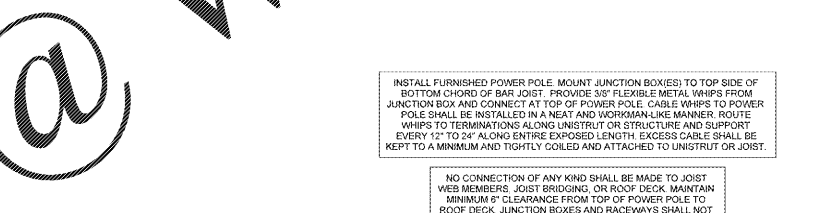
NOTE: ALL OF THE ELECTRICAL DEVICES SHOWN ON THE RISER DIAGRAM ARE EXISTING AND ARE BASED UPON AS-BUILT DRAWINGS...

SOURCE OF SUPPLY NOTE

CONTRACTOR TO VERIFY THE FEEDER ORIGIN AND POINT SOURCE OF POWER FOR ALL DISTRIBUTION CIRCUITS, PANELBOARDS, AND BUSWAY AFFECTED BY EXISTING UNDERGROUND SERVICES...

ARC FLASH

ARC FLASH HAZARD WARNING LABELING REQUIREMENTS PER NEC ARE PROVIDED BY OWNER UNDER SEPARATE CONTRACT.



1 POWER POLE CONNECTION NTS

2 GENERAL ELECTRICAL CONNECTIONS TO STRUCTURE NTS

Table for STIPULATION FOR REUSE, detailing conditions for reusing materials and equipment.

Table for CONSULTANTS, listing HENDERSON ENGINEERS with contact information for Leland, NC.

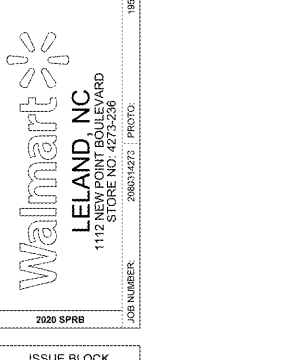


Table for CHECKED BY, DRAWN BY, and other administrative tracking fields.

Table for ISSUE BLOCK, providing a grid for tracking drawing issues.

NOT FOR CONSTRUCTION. CHECKED BY: SS, DRAWN BY: SBH, PHOTO CYCLE: 02/28/20, DOCUMENT DATE: 04/08/20

ELECTRICAL DETAILS section containing a table for DISCUSSION OF CONDITIONS and a SHEET number E3.