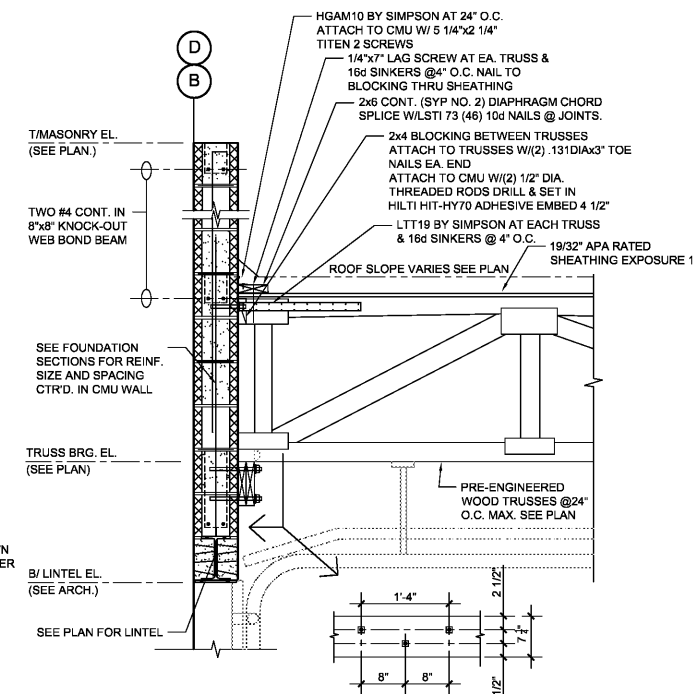
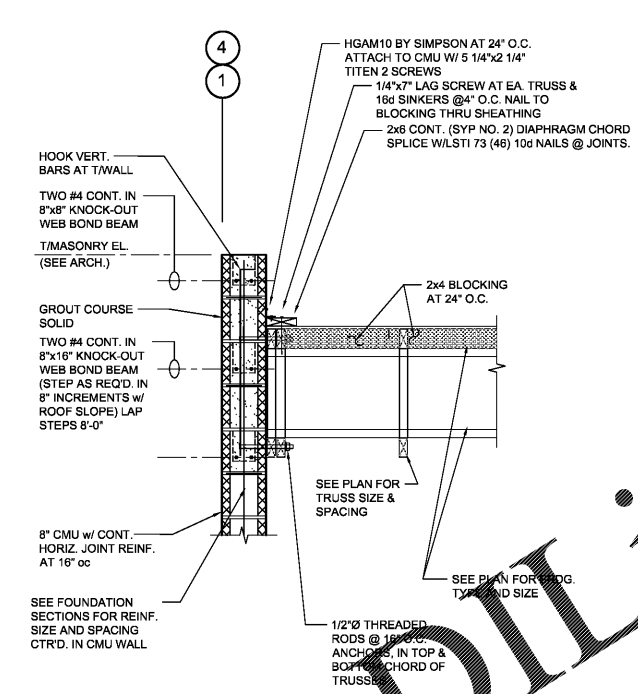


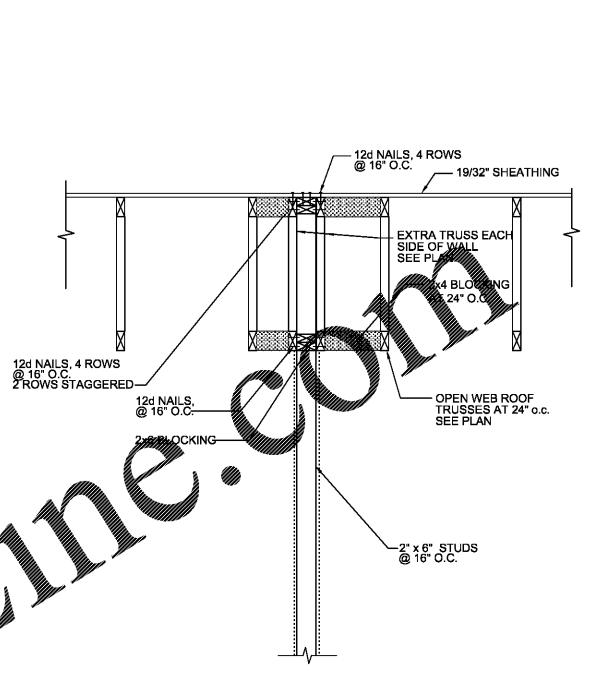
1 SECTION AT TRUSS BEARING
S5 3/4" = 1'-0"



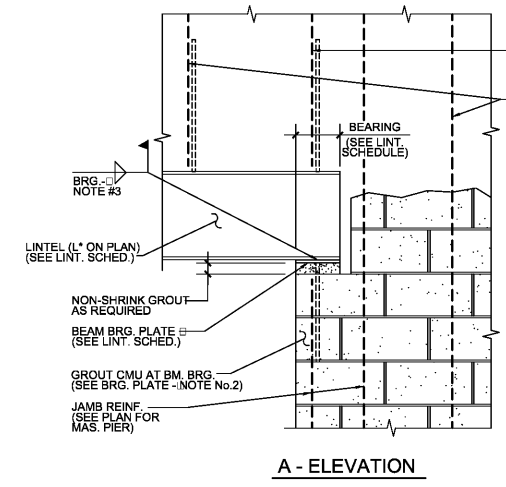
2 SECTION AT ROLL UP DOORS
S5 3/4" = 1'-0"



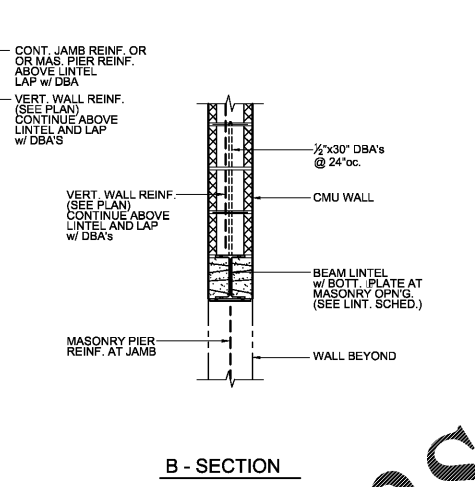
3 SECTION AT END WALLS
S5 3/4" = 1'-0"



4 SECTION AT ROOF AT DOUBLE TRUSS
S5 N.T.S.

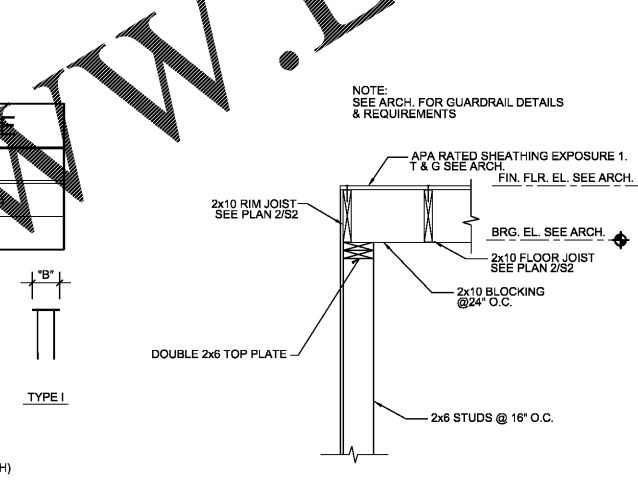


5 STEEL LINTEL DETAILS
S5 NO SCALE

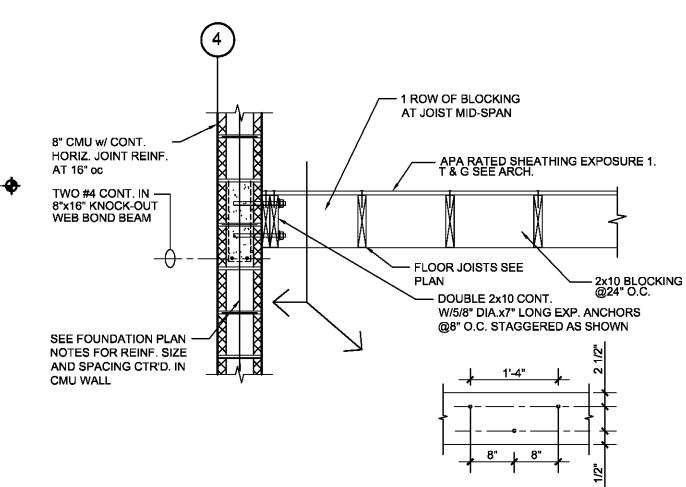


MARK	DESCRIPTION
BP1	PLATE - 1/2"x7"x7' @ 2-1/2"x30" DBA'S (TYPE I)

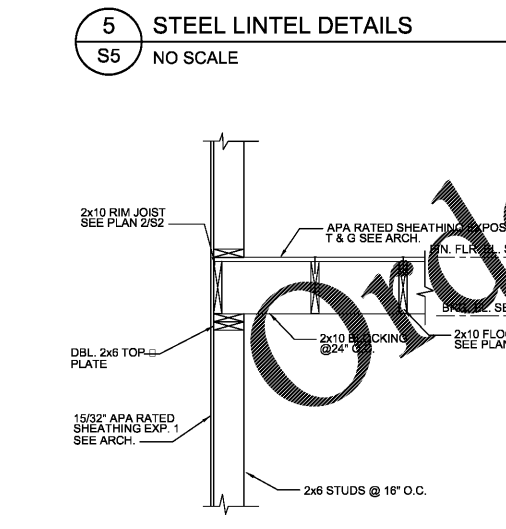
- BEARING NOTES:
- DEFORMED BARR ANCHORS (DBA'S) SHALL CONFORM TO ASTM A498 AND A499.
 - GROUT BEHIND BRG PLATES 32" WIDE BY 32" DEEP UNLESS AT MASONRY PIER OR NOTED OTHERWISE.
 - WELD BEAMS TO BRG PLATES W/ MIN 3/4" FILLET WELD FOR PLATES 1/2" THICK AND 1/2" FOR PLATES GREATER THAN 1/2" THICK EXCEPT UNLESS NOTED OTHERWISE.
 - BEARING PLATE ARE SCHEDULE PLATE-6x8xN
"t" = BRG. PLATE THICKNESS
"b" = BRG. PLATE DIMENSION PERPENDICULAR TO BEAM - (WIDTH)
"w" = BRG. PLATE DIMENSION PARALLEL TO BEAM - (LENGTH)



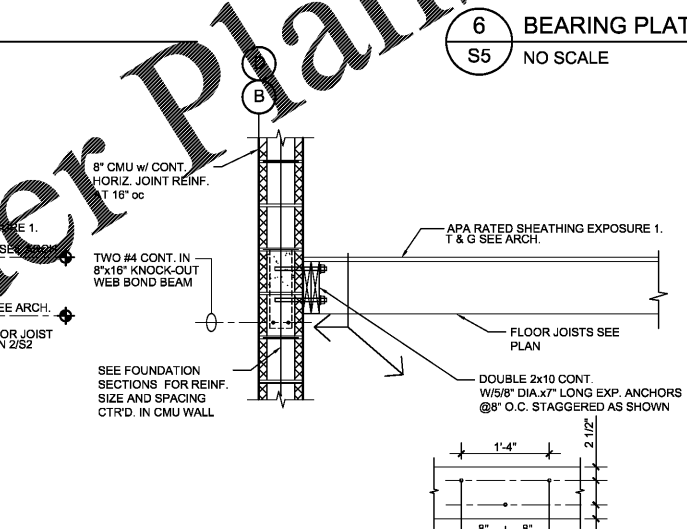
7 SECTION @ PLATFORM FLOOR
S5 3/4" = 1'-0"



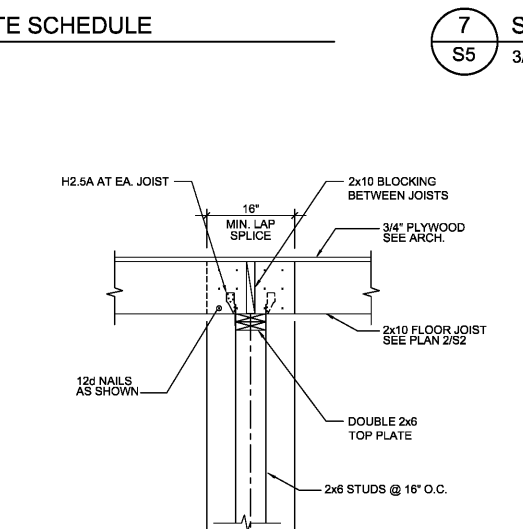
8 SECTION @ PLATFORM FLOOR
S5 3/4" = 1'-0"



9 SECTION @ PLATFORM FLOOR
S5 3/4" = 1'-0"



10 SECTION @ PLATFORM FLOOR
S5 3/4" = 1'-0"

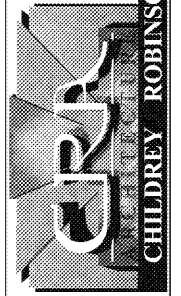


11 SECTION @ PLATFORM FLOOR
S5 3/4" = 1'-0"

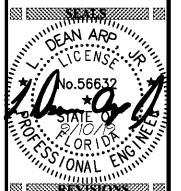
Order Plans

TAKE 5 OIL CHANGE
11909 E. MLK JR BLVD
SEFFNER, FL 33584
FOR: TAKE 5 OIL CHANGE / DRIVEN BRANDS
CHARLOTTENC

1313 KENNETH WORTH AVENUE
CHARLOTTE, NORTH CAROLINA 28204
PHONE: 704.370.6090 FAX: 704.370.6096
www.charlottechilton.com



ALL DESIGN, DRAWING, AND
CONSTRUCTION SHALL BE IN
ACCORDANCE WITH THE
LATEST EDITIONS OF THE
INTERNATIONAL BUILDING
CODES AND ALL APPLICABLE
LOCAL ORDINANCES.
Copyright © 2019, Arg Engineering INC.



REV.	DESCRIPTION

6-07-2019
AEI #19082
REVISIONS
ROOF & PLATFORM
DETAILS

L. DEAN ARP, P.E.
FLORIDA PE #56632
AEI
STRUCTURAL ENGINEERS
PO BOX 587 - MONROE - NC 28111
(704) 223-0079
FLORIDA COA #26552

STRUCTURAL
S5