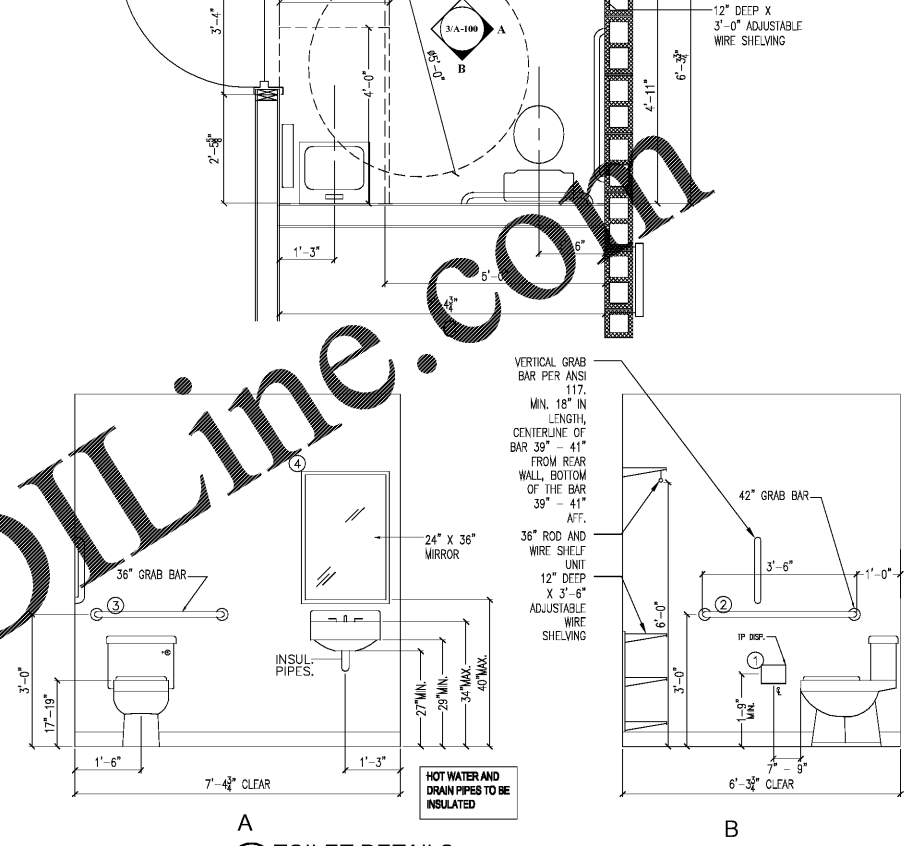
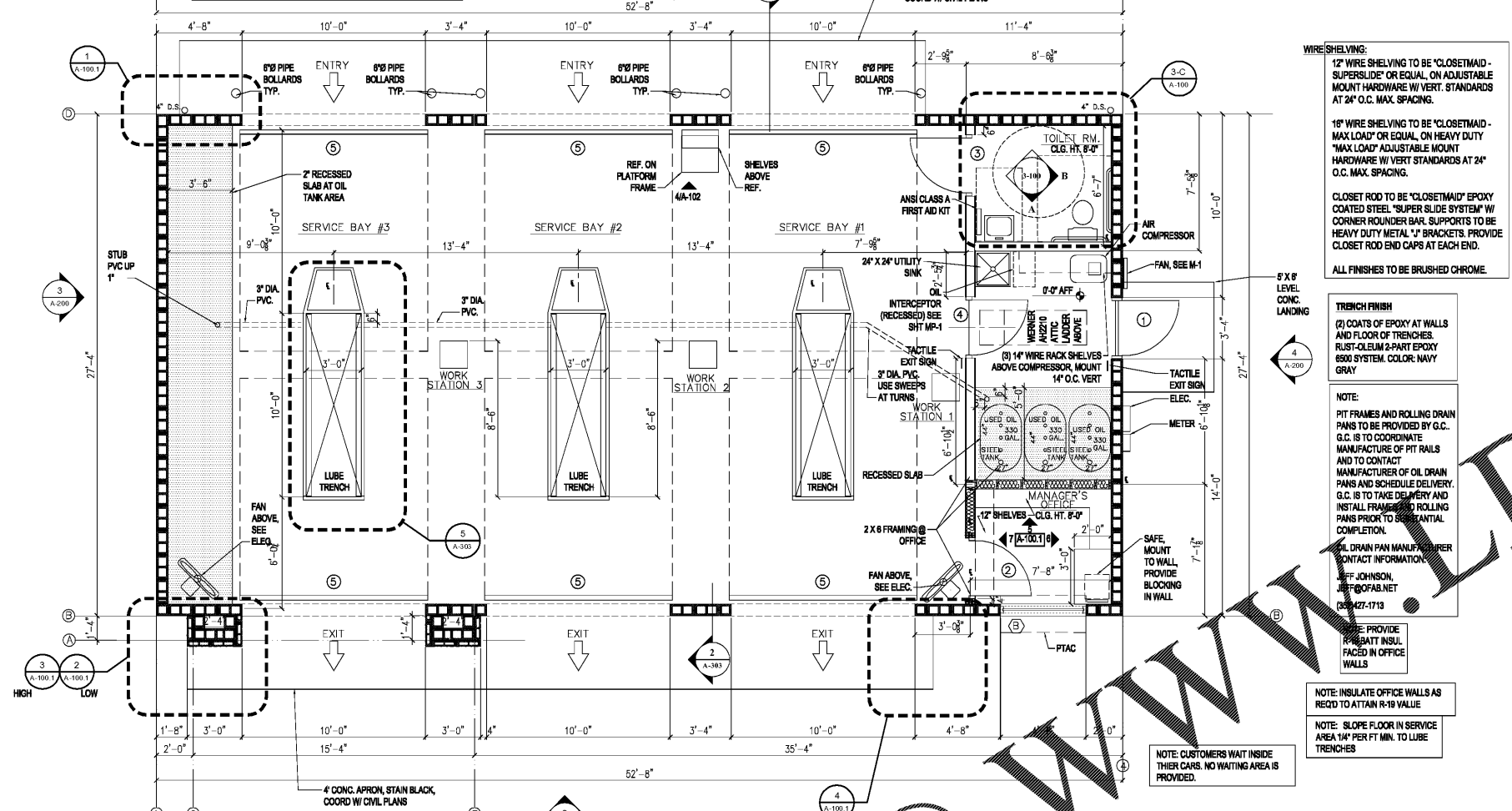


OPERATIONAL NOTES:
 CLASS 1 LIQUIDS ARE NOT STORED IN TAKE 5 BUILDINGS.
 CLASS 1B LIQUID (MOTOR OIL) IS STORED IN THE BACK ROOM AREA WHICH IS VENTILATED AS REQUIRED. SEE MECHANICAL SHEETS.
 NO LIQUIDS ARE STORED IN THE LUBE TRENCHES
 VEHICLES ARE OPERATED ONLY FOR THE DURATION OF MOVING THEM INTO AND OUT OF THE BUILDING.



FINISH SCHEDULE

AREA	FLOOR	BASE	WALLS	CEILING	CLG. HT.	REMARKS
SERVICE BAYS	CONC., SEALED *	CONC. CURB	1/2" PLYWD.	NONE	OPEN (13'-4" TRUSS HI)	* SMOOTH FINISH, UNPAINTED
MANAGER'S OFFICE	CONC., SEALED *	VINYL	1/2" PLYWD.	1/2" PLYWD.	8'-0"	* SMOOTH FINISH, STAINED B-C PLYWD.
TOILET RM.	CONC., SEALED *	VINYL	1/2" PLYWD.	1/2" PLYWD.	8'-0"	* SMOOTH FINISH, UNPAINTED B-C PLYWD.
WASTE OIL	CONC., SEALED *	CONC. DEPRESSIONED SLAB	1/2" PLYWD.	NONE	OPEN TO TRUSS HI	* SMOOTH FINISH, STAINED B-C PLYWD.

NOTE 1: PAINT EXPOSED WALL SURFACE (GWB OR PHD)
 NOTE 2: PAINT EXPOSED CEILING
 NOTE 3: ALL INTERIOR FINISHES ARE TO MEET TABLE 803.5 OF THE NBCB.
 NOTE 4: INTERIOR PAINT COLOR TO BE EGGSHELL WHITE (SW 7006 "EXTRA WHITE") EXCEPT WHERE NOTED.
 NOTE 5: DARK BRONZE PAINT COLOR TO BE (SW 6076 "TURKISH COFFEE")
 NOTE 6: EXTERIOR DOOR WHEN INDICATED ON PLAN 1/A-100

DOOR SCHEDULE

MARK	SIZE	DOOR TYPE	DOOR FINISH	FRAME	FRAME FINISH	HARDWARE	ELEV.	REMARKS
1	3' x 7'-4"	FLUSH H.M.	PAINT	DK BRONZE EXT GRAY INT	H.M. PAINT	DK BRONZE EXT GRAY INT	SET 1	1 CLOSER, LOCKSET, THRESHOLD. NOTE 1,2,5
2	3' x 7'	FLUSH H.M.	PAINT	DK BRONZE EXT GRAY INT	H.M. PAINT	DK BRONZE EXT GRAY INT	SET 2	2 LOCKSET, HALF GLASS (INT'D), CLOSER. NOTE 1,2,4
3	3' x 7'	FLUSH H.M.	PAINT	DK BRONZE EXT GRAY INT	H.M. PAINT	DK BRONZE EXT GRAY INT	SET 3	3 LOCKSET, CLOSER. NOTE 1,2,6
4	3' x 7'	FLUSH H.M.	PAINT	DK BRONZE EXT GRAY INT	H.M. PAINT	DK BRONZE EXT GRAY INT	SET 4	4 LOCKSET, CLOSER. NOTE 1,2
5	10' x 11'-6"	UPWARD ACTING	FACTORY FINISH	CLOSER "CHOCOLATE"	H.M. PAINT	FACTORY FINISH CLOSER "CHOCOLATE"	5	3 CENTER SECTIONS GLASS. NOTE 3,4

WINDOW SCHEDULE

MARK	SIZE	FIXED CLASS	DOUBLE PANE, LOW-E GLASS, TINTED	ALUM.	ANODIZED / DARK BRONZE EXT - PAINT GRAY INT	REMARKS
B	4'-8" x 4'-0"	FIXED CLASS	DOUBLE PANE, LOW-E GLASS, TINTED	ALUM.	ANODIZED / DARK BRONZE EXT - PAINT GRAY INT	NOTE 4

DOOR AND WINDOW NOTES:
 NOTE 1: HARDWARE TO BE LEVER ACTION AND MEET ALL ADA REQUIREMENTS
 NOTE 2: HARDWARE TO BE COMMERCIAL GRADE
 NOTE 3: HARDWARE PER MANUF. REQUIREMENTS
 NOTE 4: SAFETY GLAZING TO MEET ANSI Z97.1 CLASS A

SET 1

1 1/2 PAIR HINGES NRP MORISED DEADBOLT AND LOCKSET COMBINED WITH THUMB TURN INSIDE AND KEYPED OUTSIDE. ONE ACTION OPERATED BOTH BOLT AND LOCKSET

CLOSER FULL WEATHERSTRIP SWEEP RAIN DRIP ON FRAME OVERHEAD THRESHOLD SILENCERS FLOOR STOP

SET 2

1 1/2 PAIR HINGES LOCKSET - KEYPED OUTSIDE, PUSH BUTTON INSIDE CLOSER FLOOR STOP - COOR. LOCATION W/ AC UNIT SILENCERS

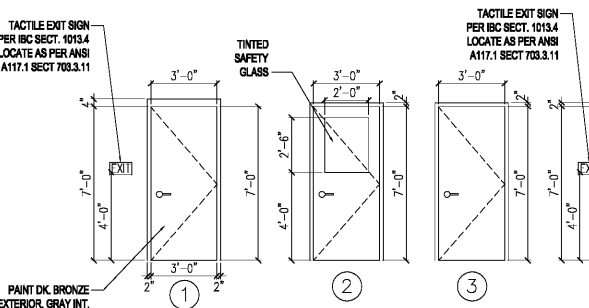
SET 3

1 1/2 PAIR HINGES LOCKSET - KEYPED OUTSIDE, PUSH BUTTON INSIDE CLOSER WALL STOP SILENCERS TACTILE SIGN W/ INTERNATIONAL SYMBOL: MEN/WOMEN

SET 4

1 1/2 PAIR HINGES LOCKSET - PASSAGE 1 STOP - FLOOR MID. CLOSER SILENCERS

NOTE: ALL FIN. HARDWARE TO BE ADA COMPLIANT

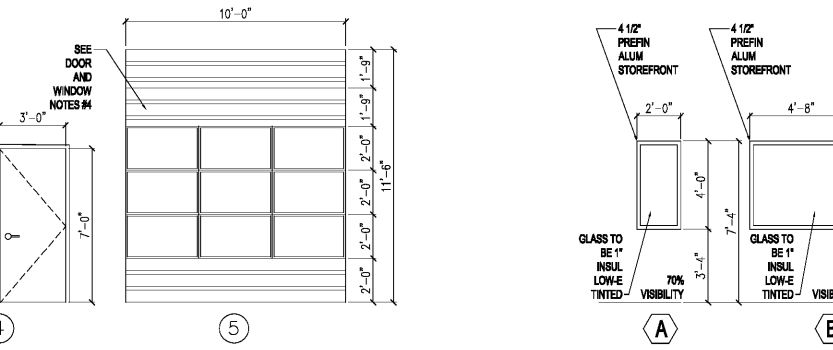


DOOR ELEVATIONS
 A-100 1/4" = 1'-0"

TOILET ACCESSORIES SCHEDULE

MARK	LOCATION	DESCRIPTION	MOUNTING HEIGHT
1	TOILET ROOM	TOILET PAPER DISPENSER	22" A.F.F. TO OPERABLE PARTS
2	TOILET ROOM	42" GRAB BAR	36" A.F.F. TO TOP
3	TOILET ROOM	36" GRAB BAR	36" A.F.F. TO TOP
4	TOILET ROOM	18" x 30" MIRROR	40" A.F.F. TO BOTTOM OF REFLECTIVE SURFACE
5	TOILET ROOM	VERTICAL GRAB BAR	SET 3/A100
6	TOILET ROOM	PAPER TOWEL DISPENSER	48" A.F.F. TO OPERABLE PARTS
8	TOILET ROOM	UNDER LAVATORY GUARD	LAVATORY SUPPLY & DRAIN PIPES

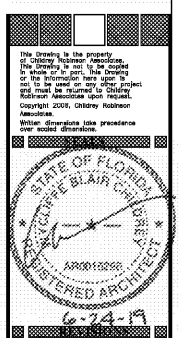
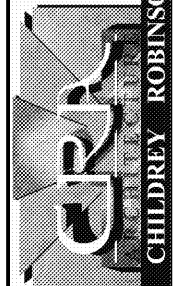
NOTES:
 1. ALL TOILET ACCESSORIES SHALL BE LOCATED AND MOUNTED TO MEET ALL REQUIREMENTS OF THE ADA AND ALL LOCAL ACCESSIBILITY CODE REQUIREMENTS.
 2. ALL TOILET ACCESSORIES SHALL BE BY BOBRICK OR EQUAL.
 3. PROVIDE BLOCKING PER MANUFACTURER'S RECOMMENDATIONS.



WINDOW ELEVATIONS
 A-100 1/4" = 1'-0"

TAKE 5 OIL CHANGE
 11909 E. MLK JR BLVD
 SEFFNER, FL 33584

FOR:
 TAKE 5 OIL CHANGE / DRIVEN BRANDS
 CHARLOTTE NC



REV. DESCRIPTION

NO.	DATE	DESCRIPTION

06-24-2019
 PLAN AND SCHEDULES
A-100