

ELECTRICAL SYMBOLS LEGEND

(SYMBOLS APPLY ONLY WHEN USED ON DRAWINGS)

SYMBOL	DESCRIPTION
[Symbol]	LIGHT FIXTURE (WALL MOUNTED/CEILING MOUNTED)
[Symbol]	LIGHT FIXTURE (WALL MOUNTED)
[Symbol]	LIGHT FIXTURE (NIGHT LIGHT)
[Symbol]	VOLUMETRIC LIGHT FIXTURE
[Symbol]	TRACK LIGHTING
[Symbol]	EXIT FIXTURE (WALL MOUNTED/CEILING MOUNTED)
[Symbol]	EMERGENCY LIGHT (WALL MOUNTED/CEILING MOUNTED)
[Symbol]	EMERGENCY LIGHT REMOTE HEADS (WALL MOUNTED/CEILING MOUNTED)
[Symbol]	SINGLE POLE SWITCH
[Symbol]	3-WAY SWITCH
[Symbol]	4-WAY SWITCH
[Symbol]	KEYED SWITCH
[Symbol]	DIMMER SWITCH
[Symbol]	VARIABLE SPEED SWITCH
[Symbol]	MANUAL MOTOR SWITCH
[Symbol]	SINGLE POLE OCCUPANCY SENSOR SWITCH
[Symbol]	DOUBLE POLE OCCUPANCY SENSOR SWITCH
[Symbol]	CEILING MOUNTED OCCUPANCY SENSOR SWITCH
[Symbol]	RECEPTACLE, DUPLEX
[Symbol]	RECEPTACLE, DUPLEX MOUNTED HORIZONTALLY
[Symbol]	RECEPTACLE, GFI
[Symbol]	RECEPTACLE, DUPLEX FLUSH FLOOR
[Symbol]	RECEPTACLE, DUPLEX ISOLATED GROUND FLUSH FLOOR
[Symbol]	RECEPTACLE, DOUBLE DUPLEX
[Symbol]	RECEPTACLE, DUPLEX ISOLATED GROUND
[Symbol]	RECEPTACLE, DOUBLE DUPLEX ISOLATED GROUND
[Symbol]	RECEPTACLE, SIMPLEX TWIST LOCK, LS-15R, UNO
[Symbol]	RECEPTACLE, SIMPLEX TWIST LOCK ISOLATED GROUND, LS-15R, UNO
[Symbol]	RECEPTACLE, DUPLEX TWIST LOCK, LS-15R, UNO
[Symbol]	RECEPTACLE, DUPLEX TWIST LOCK ISOLATED GROUND, LS-15R, UNO
[Symbol]	RECEPTACLE, SPECIAL
[Symbol]	RECEPTACLE, SIMPLEX
[Symbol]	RECEPTACLE, PLUG-MOLD
[Symbol]	JUNCTION BOX (WALL MOUNTED/CEILING MOUNTED)
[Symbol]	THERMOSTAT (WALL MOUNTED/CEILING MOUNTED)
[Symbol]	ALARM JUNCTION BOX (WALL MOUNTED/CEILING MOUNTED)
[Symbol]	ALARM JUNCTION BOX FOR REMOTE TEST RESET (WALL MOUNTED/CEILING MOUNTED)
[Symbol]	SMOKE DETECTOR
[Symbol]	NON-FUSED DISCONNECT
[Symbol]	FUSED DISCONNECT
[Symbol]	EQUIPMENT CONNECTION POINT (PROVIDED WITH EQUIPMENT)
[Symbol]	CIRCUIT CONCEALED IN WALLS OR CEILING, E INDICATES EXISTING WIRING
[Symbol]	CIRCUIT CONCEALED IN SLAB FLOOR, E INDICATES EXISTING WIRING
[Symbol]	CIRCUIT EXPOSED, E INDICATES EXISTING WIRING
[Symbol]	LOW VOLTAGE WIRING
[Symbol]	CONDUIT SLEEVE
[Symbol]	FLUSH MOUNTED PANELBOARD
[Symbol]	SURFACE MOUNTED PANELBOARD
[Symbol]	TELEPHONE / DATA BOX FOR ISD
[Symbol]	LOW VOLTAGE CABLE BOX FOR OTHER
[Symbol]	TELEPHONE, FLUSH FLOOR
[Symbol]	MOTOR
[Symbol]	TELEPOWER POLE
[Symbol]	PUSH BUTTON
[Symbol]	BUZZER
[Symbol]	SWITCH JUNCTION BOX
[Symbol]	HORN / STROBE
[Symbol]	DOOR HOLD OPEN
[Symbol]	TIME CLOCK

ABBREVIATIONS

a, b, c LOWER CASE LETTERS INDICATE SWITCHING CONFIGURATION ABOVE FINISHED FLOOR

AFG ABOVE FINISHED GRADE

C CONDUIT

CCT CIRCUIT

CF CEILING FAN

CW CASH WRAP

EC ELECTRICAL CONTRACTOR

EF EXHAUST FAN

ETR EXISTING TO REMAIN

EWVC ELECTRIC WATER COOLER

GC GENERAL CONTRACTOR

GFEF GROUND FAULT EQUIPMENT PROTECTION

GFI GROUND FAULT CIRCUIT INTERRUPTER

HD HAND DRYER

IG ISOLATED GROUND LIGHTING CONTROL UNIT

NL NIGHT LIGHT

NTS NOT TO SCALE

RECE REFRIGERATION ELECTRICAL CONTRACTOR

RC REFRIGERATION CONTRACTOR

RH RADIANT HEATER

SC SECURITY CAMERA

TR TAMPER RESISTANT

UHP ULTIMATE

UH UNIT HEATER

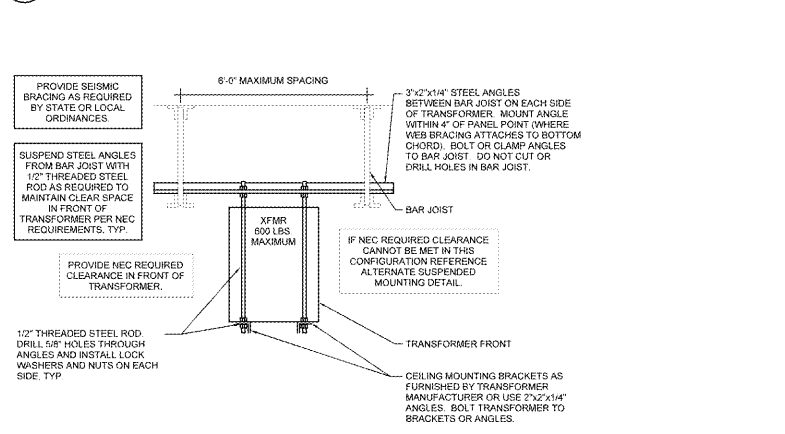
UNO UNLESS NOTED OTHERWISE

WH WATER HEATER

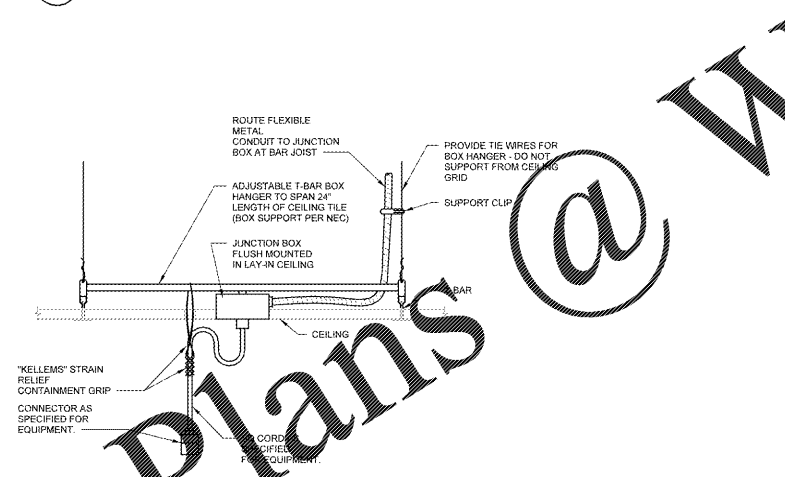
WP WEATHER PROOF

WR WEATHER RESISTANT

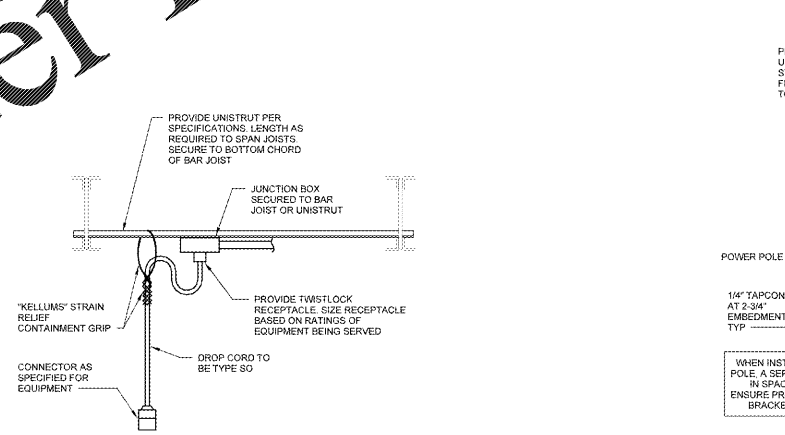
6 ALTERNATE SUSPENDED TRANSFORMER MOUNTING DETAIL



5 SUSPENDED TRANSFORMER MOUNTING



3 SUSPENDED DROP CORD - LAY-IN CEILING



2 SUSPENDED DROP CORD - OPEN STRUCTURE

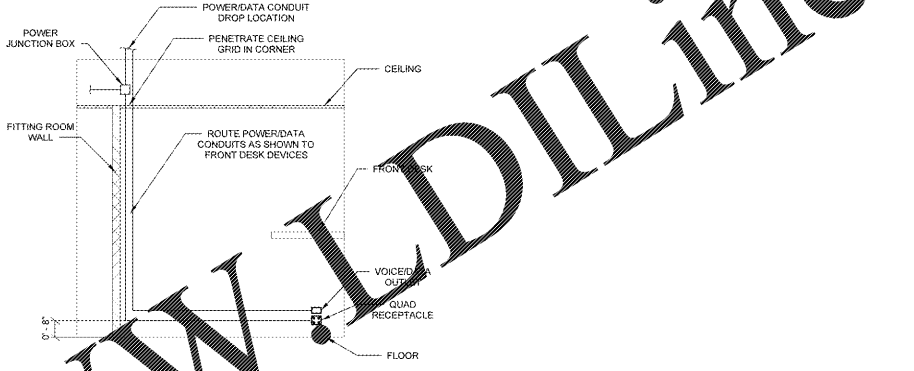


VOICE/DATA ROUGH-IN SCHEDULE

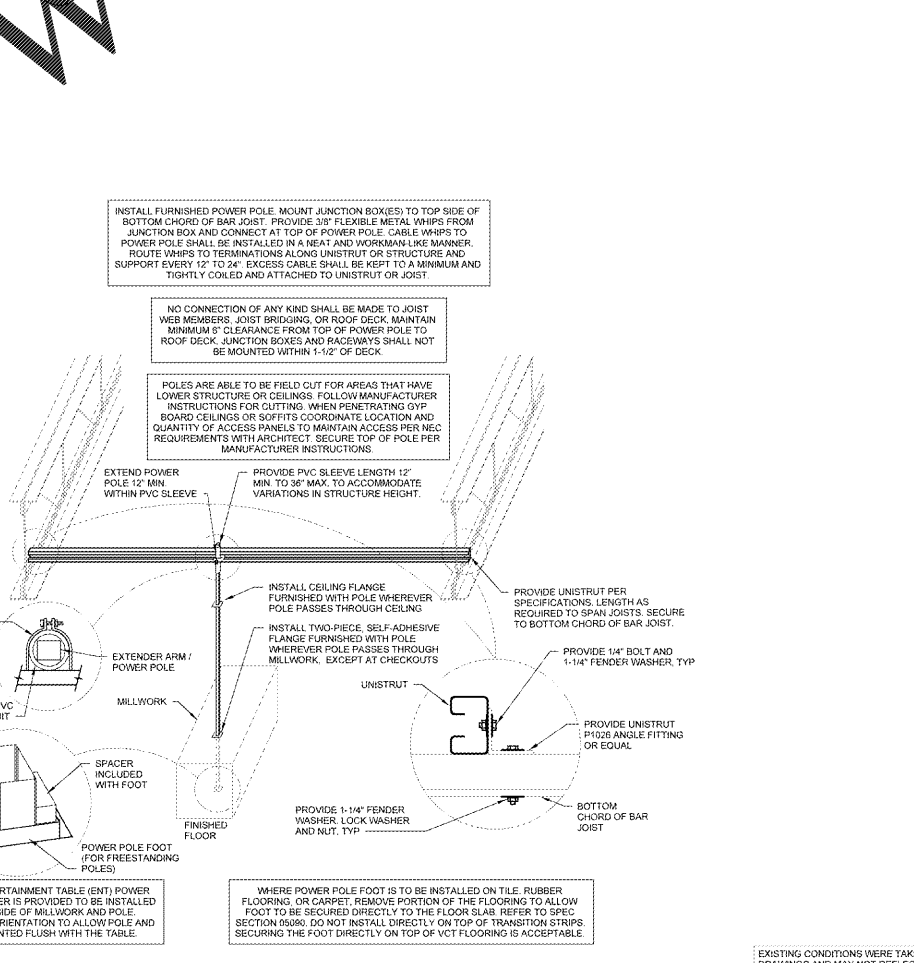
DROP	ROUGH-IN NOTES
2	FLUSH MOUNT JUNCTION BOX AT +20\"/>
6	FLUSH MOUNT JUNCTION BOX AT +20\"/>
6	SURFACE MOUNT JUNCTION BOX AT +66\"/>

SCHEDULE GENERAL NOTES:

- ALL JUNCTION BOXES SHALL BE DOUBLE GANG WITH SINGLE GANG PLASTER RING UNLESS NOTED OTHERWISE ON SCHEDULE.
- ALL JUNCTION BOXES TO BE ROUGHED IN AT SCHEDULED HEIGHT UNLESS NOTED OTHERWISE ON DRAWINGS.
- ALL CONDUITS SHALL BE TERMINATED WITH BUSHINGS.
- PROVIDE PULL WIRE WITH EACH EMPTY RACEWAY (JUNCTION BOX/CONDUIT) INSTALLED.
- CONDUIT RUNS SHALL HAVE NO MORE THAN 90 DEGREES OF TRANSITION BETWEEN PULL BOXES.
- WHERE CONDUIT(S) TRAVERSE AREAS WITH CEILINGS OPEN TO STRUCTURE, CONDUIT(S) SHALL BE CONCEALED AS WELL AS POSSIBLE FROM VIEW FROM CUSTOMER AREA.
- FOR CONDUIT RUNS SCHEDULED WITH 1-1/2\"/>
- ACCESSIBLE CEILING SPACE SHALL BE CONSIDERED 12 INCHES ABOVE A LAY-IN CEILING OR ABOVE BAR JOIST ACCESSIBLE BY A SCISSOR LIFT FOR AREAS OPEN TO STRUCTURE.



1 POWER POLE CONNECTION



GENERAL NOTES

- FURNISH AND INSTALL ALL MATERIALS, EQUIPMENT, AND LABOR FOR A COMPLETE INSTALLATION IN ALL RESPECTS, READY FOR INTENDED USE AND IN STRICT ACCORDANCE WITH NEC, NESC, STATE, AND LOCAL CODES, AND MANUFACTURER'S RECOMMENDATIONS. PAY ALL NECESSARY FEES AND PERMITS.
 - NO CIRCUITRY SHALL BE ALLOWED TO BE ROUTED THROUGH THE ROOF OR THE EXTERIOR SIDE OF THE EXTERIOR WALLS.
 - ALL EQUIPMENT SHALL BE UL LISTED WHERE APPLICABLE.
 - ARRANGE ALL WORK TO MINIMIZE DISRUPTIONS TO STORE OPERATIONS. COORDINATE ALL DISRUPTIONS WITH WALMART CONSTRUCTION MANAGER AND STORE MANAGER.
 - CONTRACTOR SHALL VERIFY ALL WALL FINISH THICKNESS BEFORE INSTALLING BOXES. FURNISH AND INSTALL EXTENDED BOXES OR BOX EXTENDERS WHERE REQUIRED.
 - CONTRACTOR SHALL VERIFY THAT ALL AFFECTED PANELBOARDS HAVE CIRCUIT BREAKER KNOCKOUTS PROPERLY COVERED AND THAT ALL TRIM IS IN GOOD CONDITION, ALLOWING NO ACCESS TO LIVE PARTS.
- PROVIDE SEALS AT RACEWAY PENETRATIONS AS FOLLOWS:
 - FIRE RATED WALLS: SEAL PER SPECIFICATIONS FOR FIRE STOPPING.
 - NEUTRALIZATION AREA: SEAL PER MECHANICAL DETAIL.
 - FREZEER/COOLER EDGE: SEAL WITH EXPANDING FOAM SEALANT.
 - EXTERIOR: REFER TO ARCHITECTURAL DOCUMENTS FOR SEALING REQUIREMENTS AND RACEWAY PENETRATIONS.
- PROVIDE A SEPARATE ELEMENT OF GROUNDING CONDUCTOR (SIZE TO BE DETERMINED BY TYPE OF POWER AND LIGHTING CIRCUITS, CIRCUIT BREAKER, CIRCUIT BREAKER AS SHOWN ON PLANS. CONDUIT SHALL BE USED TO SECURE THE GROUNDING CONDUCTOR TO SINGLE POINT PLUS THE EQUIPMENT GROUNDING CONDUCTOR).
- CEILING DEVICES: DEVICE MOUNTING HEIGHTS ARE FROM FINISHED CENTER OF OUTLET OR CUTTER BOX UNLESS NOTED OTHERWISE ON PLANS. COORDINATE THE STANDARD MOUNTING HEIGHTS WITH MASONRY:
 - SWITCHES +44"
 - RECEPTACLES +20"
 - VOICE/DATA +20"
- WIRING SHALL INCLUDE FINAL CONNECTION TO ALL EQUIPMENT IN CONFORMANCE WITH EQUIPMENT SUPPLIER WIRING DIAGRAMS.
- CONTRACTOR IS RESPONSIBLE FOR PROVIDING COMPLETE PANELBOARD IDENTIFICATION SCHEDULES FOR PANELBOARDS AFFECTED BY REMODEL.
- NEW OVERCURRENT PROTECTIVE DEVICES INSTALLED IN EXISTING PANELBOARDS OR DISTRIBUTION BOARDS SHALL MATCH THE TYPE AND AIC RATINGS OF EXISTING OVERCURRENT PROTECTIVE DEVICES.
- BRANCH CIRCUIT CONDUCTORS SHALL BE MINIMUM #12 AWG UNLESS NOTED OTHERWISE IN SCHEDULES. WHERE 20A BRANCH CIRCUITS HAVE #6 AND LARGER WIRE SPECIFIED, #10 AWG WIRE SHALL BE USED FOR THE FINAL CONNECTION (15 FT MAXIMUM).
- WHERE BRANCH CIRCUITS ARE GROUPED, SIZE CONDUIT AND DERATE FOR CARRYING CAPACITY PER NEC REQUIREMENTS.
- SUPPORTS FROM STRUCTURE: NO ATTACHMENT OF ANY TYPE SHALL BE MADE TO BRIDGING OR JOIST WEB MEMBERS. UTILIZE ONLY THE TOP AND BOTTOM CHORDS FOR SUPPORTING THE ELECTRICAL SYSTEM INSTALLATIONS.
- DEVICES SHOWN ON COOLER/FREEZER PANELS SHALL BE SURFACE MOUNTED UNLESS NOTED OTHERWISE. SEAL DEVICES TO COOLER/FREEZER PANELS WITH SILICONE SEALANT.
- SURFACE MOUNTED CONDUIT ON COOLER/FREEZER PANELS OR IN FOOD PREP AREAS SHALL BE INSTALLED WITH GALVANIZED 1/2\"/>
- ONLY FEEDER CIRCUITS NOTED ON THE ONE LINE DIAGRAM AND BRANCH CIRCUITS NOTED BY LEGENDS SHALL BE INSTALLED UNDER SLAB. PROVIDE EXTERIOR COATED GRC BENDS ON ALL CONDUIT RUNS THAT HAVE 45 DEGREE BENDS OR GREATER. REFER TO SPECIFICATION SECTION 18.10 FOR UNDER SLAB.
- SEISMIC ZONE REQUIREMENTS: PROVIDE EXPANSION COUPLINGS AND BRACING FOR ELECTRICAL EQUIPMENT AS REQUIRED BY LOCAL CODES.
- EXISTING ELECTRICAL AND ALARM:
 - WHERE DEMOLITION OR NEW CONSTRUCTION INTERRUPTS EXISTING ELECTRICAL CIRCUITS FEEDING EXISTING EQUIPMENT DEVICES OR LIGHTING TO REMAIN, BUT NOT SHOWN ON DRAWINGS, PROVIDE LABOR AND MATERIALS TO REWIRE CIRCUITRY AS REQUIRED TO MAINTAIN EXISTING OPERATION.
 - IF DEMOLITION OR NEW CONSTRUCTION WILL DISRUPT EXISTING UNDERGROUND SERVICES (ELECTRICAL, TELEPHONE, PARKING LOT LIGHTING CIRCUITRY, ETC.) PROVIDE ALL MATERIALS AND LABOR AS REQUIRED TO REROUTE, SLEEVE, OR OTHERWISE REPAIR THESE SERVICES TO MAINTAIN THEIR EXISTING OPERATION.
 - EXERCISE CAUTION AROUND ALARM AND SECURITY CABLES DURING DEMOLITION AND CONSTRUCTION. PROTECT ALARM AND SECURITY CABLES FROM ACCIDENTAL DAMAGE SO THAT SYSTEMS REMAIN OPERATIONAL AT ALL TIMES.
 - DISPOSE OF ALL REMOVED MATERIALS, UNLESS OTHERWISE NOTED.
- EXISTING ELECTRICAL DEMOLITION:
 - GENERAL: REMOVE OR RELOCATE EXISTING ELECTRICAL EQUIPMENT, CONDUIT AND CONDUCTORS AS INDICATED ON THE DRAWINGS, OR ONLY AS REQUIRED BY DEMOLITION. REMOVE ALL PANELBOARDS, DISCONNECT SWITCHES, BOXES, RELAYS, TIME SWITCHES, LIGHTS, DEVICES, ETC. WHICH WILL NOT BE REUSED.
 - SALES FLOOR: REMOVE UNUSED POWER DROP CONDUIT, CONDUCTORS AND RELATED DEVICES SERVING SALES AREA (CONDUITS BEING RELOCATED OR REMOVED). EXISTING CONDUIT AND CONDUCTORS MAY BE REUSED FOR NEW POWER DROPS WHERE SIZE, RATING, AND CONDITION MEET REQUIREMENTS INDICATED ON PLANS AND ALL U.L. RATINGS REMOVE ALL UNUSED CONDUIT AND CONDUCTORS BACK TO POINT OF ORIGIN WHENEVER FEASIBLE AND RE-LABEL DEMOLISHED CIRCUITS AS "SPACE". REMOVE CIRCUIT BREAKER AND REPLACE WITH FILLER PLATE. UPDATE TYPEWRITTEN CIRCUIT DIRECTORY IDENTIFYING CIRCUIT AS "SPACE".
 - CONDUIT AND WIRING TO BE ABANDONED IN CEILING SPACES AND OTHER NON-PUBLIC AREAS (I.E. THROUGH STOCKROOM AREA): CUT WIRING LOOSE AND REMOVE FROM RACEWAY(S), LEAVING RACEWAY(S) IN PLACE. CONDUIT TO BE ABANDONED IN WALLS OR FLOORS SHALL BE REMOVED BACK TO FINISHED SURFACE AND CAPPED INSIDE. REPAIR SURFACE(S) TO MATCH ADJACENT.
 - ALL CIRCUIT BREAKERS SERVING BRANCH CIRCUITS TO BE REMOVED SHALL ALSO BE REMOVED. REMOVE CIRCUIT BREAKER AND REPLACE WITH FILLER PLATE. UPDATE TYPEWRITTEN CIRCUIT DIRECTORY IDENTIFYING CIRCUIT AS "SPACE".
 - DEMOLISHED FLUORESCENT LIGHT FIXTURES: REFER TO SELECTIVE SITE DEMOLITION SPECIFICATION FOR DISPOSAL OF LIGHT FIXTURE.
 - BUILDING COMPONENTS ABANDONED BY THE SCOPE OF WORK SHALL BE SECURED TO PREVENT FALLING, LOOSENING, OR CREATING DAMAGE OF ANY KIND IN THE FUTURE.
- DATA AND PHONE CONDUIT INSTALLATION MILESTONE DATE: ALL RACEWAY AND CONDUIT SLEEVES FOR DATA AND PHONE CABLEING TO BE INSTALLED 3 WEEKS PRIOR TO CONTRACT SUBSTANTIAL COMPLETION DATE.
- ETHERNET CABLE:
 - FURNISH AND INSTALL JUNCTION BOXES AS SHOWN ON PLANS. PROVIDE CONDUIT AS REQUIRED BY LOCAL CODES AND/OR ORDINANCES.
 - ETHERNET CABLE IS FURNISHED BY OTHERS.
 - ELECTRICAL CONTRACTOR SHALL INSTALL CABLE IN POWER POLES.
 - ELECTRICAL CONTRACTOR SHALL INSTALL OTHER CABLE AS DIRECTED BY WALMART CONSTRUCTION MANAGER.

Order Plans @ WWW.AJDLLine.com

WWW.AJDLLine.com

CYBERTECH ENERGY

1100 S. W. 10TH AVE. SUITE 200
MILWAUKEE, WI 53219
TEL: 414.224.1119
WWW.CYBERTECH.COM

Walmart
FAYETTEVILLE, NC

JOB NUMBER: USRMA07256 | PHOTO: 155 PHOTO 5C
STORE NO: 1261-248
ISSUE BLOCK

CHECKED BY:	DES
DRAWN BY:	BOJ
PROTO CYCLE:	02/28/2020
DOCUMENT DATE:	04/15/2020

DOCUMENTS WITHOUT SIGNATURE AND REQUIRED SEAL OF AOR/COR ARE NOT FOR CONSTRUCTION

CYBERTECH ENERGY, PLLC
CA # P-688
EXPIRES 06/30/2020
MATTHEW RUTKOWSKI, P.E.
REGISTERED PROFESSIONAL ENGINEER

ELECTRICAL DETAILS

SHEET: **E3**