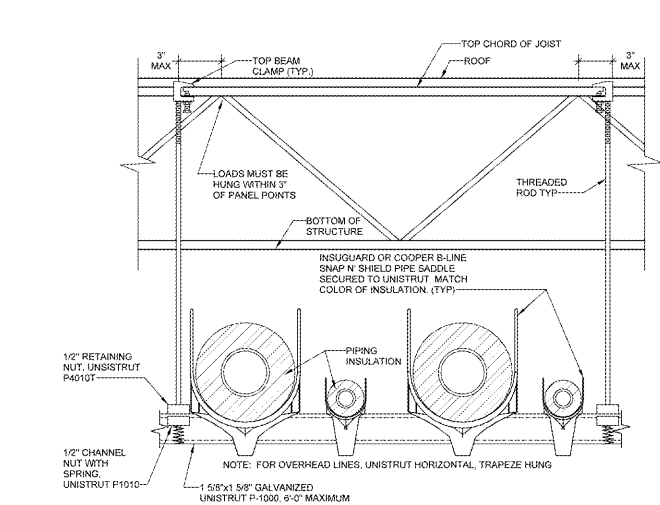
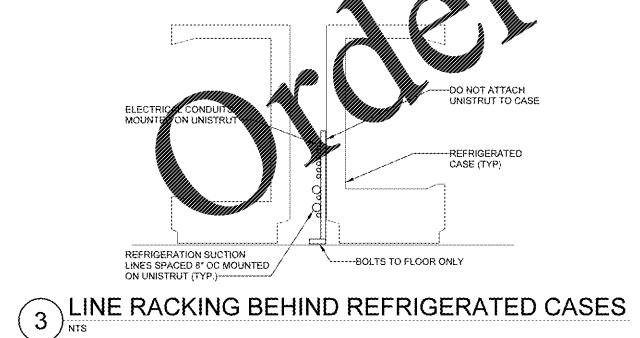


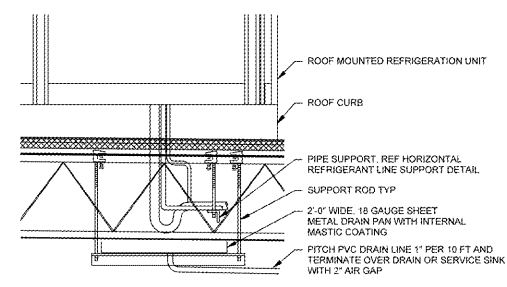
9 VERTICAL REFRIGERANT LINE SUPPORT  
NTS



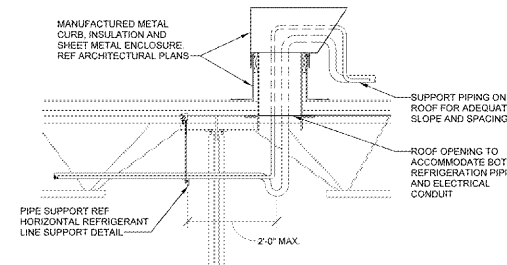
6 HORIZONTAL REFRIGERANT LINE SUPPORT DETAIL  
NTS



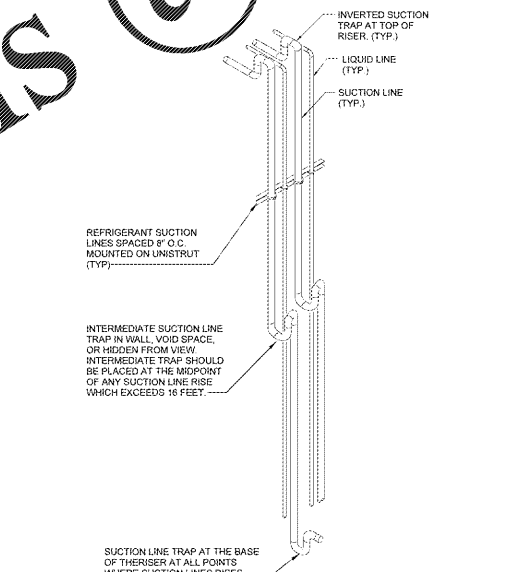
3 LINE RACKING BEHIND REFRIGERATED CASES  
NTS



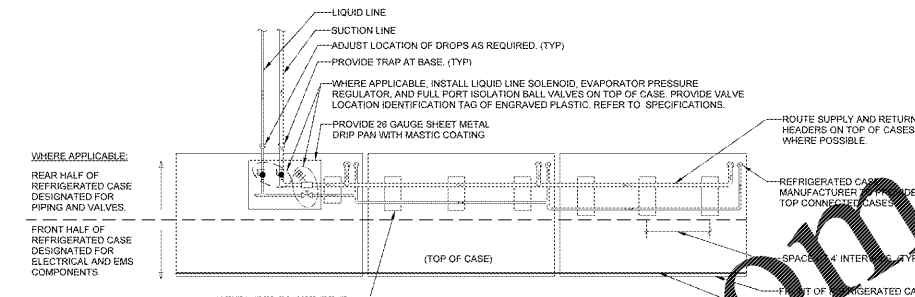
8 CONDENSATE DRAIN PAN  
NTS



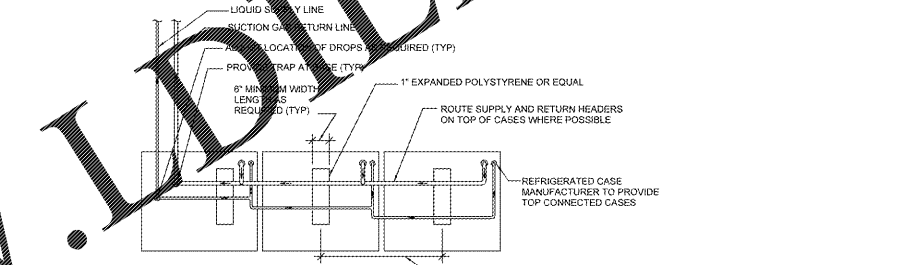
5 ROOF PENETRATION  
NTS



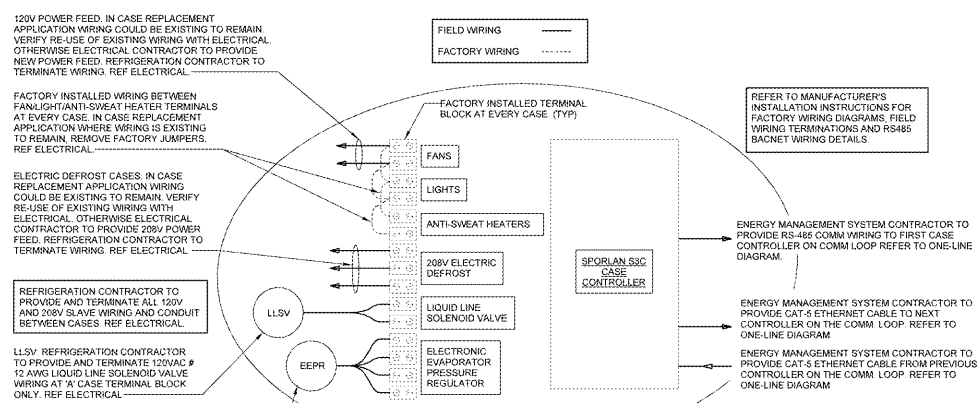
2 INTERMEDIATE SUCTION LINE TRAP DETAIL  
NTS



7 REFRIGERATION PIPE ROUTING FOR TOP FED CASES  
NTS



4 REFRIGERATION PIPE ROUTING FOR TOP FED CASES (VALVES AT RACK)  
NTS



1 CASE CONNECTION SCHEMATIC (SPORLAN)  
NTS



PERMITTING FOR REUSE: THIS DOCUMENT IS THE PROPERTY OF HSC ENGINEERS. IT IS TO BE USED ONLY FOR THE PROJECT AND LOCATION IDENTIFIED HEREIN. IT IS NOT TO BE REPRODUCED, COPIED, OR TRANSMITTED IN ANY FORM OR BY ANY MEANS, ELECTRONIC OR MECHANICAL, INCLUDING PHOTOCOPYING, RECORDING, OR BY ANY INFORMATION STORAGE AND RETRIEVAL SYSTEM, WITHOUT THE WRITTEN PERMISSION OF HSC ENGINEERS.



ISSUE BLOCK	

CHECKED BY: KK  
 DRAWN BY: KP  
 PROTO: 02/28/2020  
 PHOTO CYCLE: 195 SC  
 DOCUMENT DATE: 04/15/2020

DOCUMENTS WITHOUT SIGNATURE AND REQUIRED SEAL OF ARCHITECT ARE NOT FOR CONSTRUCTION

REFRIGERATION DETAILS

SHEET: R4

EXISTING CONDITIONS WERE TAKEN FROM ORIGINAL DRAWINGS AND MAY NOT REFLECT EXACT "AS-BUILT" CONDITIONS. CONTRACTOR SHALL FIELD VERIFY ALL EXISTING CONDITIONS PRIOR TO SUBMITTING FINAL BIDS. CONTRACTOR SHALL CAREFULLY COORDINATE NEW WORK AND DEMOLITION WITH ALL OTHER DISCIPLINES AND EXISTING CONDITIONS.

EACH SUBCONTRACTOR IS RESPONSIBLE FOR HAVING A THOROUGH KNOWLEDGE OF ALL DRAWINGS AND SPECIFICATIONS IN THEIR RELATED FIELD. THE FAILURE TO ACQUAINT THEMSELVES WITH THIS KNOWLEDGE DOES NOT RELIEVE THE RESPONSIBILITY OF PERFORMING THE WORK PROPERLY. NO ADDITIONAL COMPENSATION SHALL BE ALLOWED BECAUSE OF CONDITIONS THAT OCCUR DUE TO FAILURE TO FAMILIARIZE WORKERS WITH THIS KNOWLEDGE.