

SPECIALTY PLUMBING FIXTURE SCHEDULE				
MARK	FIXTURE	MANUFACTURER	MODEL	FIXTURE DESCRIPTION
FCV30	FLOW CONTROL VALVE	BELL & GOSSETT	# CB LF CIRCUIT SETTER PLUG	LEAD FREE BRASS BODY AND BRASS BALL, CALIBRATED BALANCE VALVE, DIFFERENTIAL PRESSURE READOUT PORTS, DRAIN PORT, MEMORY STOP, HANDLE AND 1/2" VALVE BODY. SIZE UNLESS SHOWN OTHERWISE ON PLANS. SET AND BALANCE TO 0.25 GPM UNLESS SHOWN OTHERWISE ON PLANS AND PER MANUFACTURER'S INSTALLATION INSTRUCTIONS.
DCV	DOUBLE CHECK VALVE BACKFLOW PREVENTER (STAINLESS STEEL)	WATTS	SS6070T-S	ASSEMBLY: 3/4" STAINLESS STEEL BODY, QUARTER TURN TEST COCKS, QUARTER TURN FULL PORT BALL VALVES AND STAINLESS STEEL STRAINER.
---	LOCKABLE SHUT OFF VALVES	RED-WHITE APOLLO CRANE WATTS	8042 SERIES 70LF-100 LF1-225 LFB-8000 OR LFB-6001	BRASS BALL VALVES WITH PLASTIC JACKETED LEVER TYPE HANDLE.
---	SHUT-OFF VALVES	RED-WHITE APOLLO CRANE WATTS NBCCO	5044AB OR 5049AB SERIES 70LF LF9210 SERIES LFFB-3C OR LFFBVS-3C FP-600-A1F	LEAD FREE FULL PORT BRASS BALL VALVE WITH PLASTIC JACKETED LEVER TYPE HANDLE.

FLOOR DRAIN SCHEDULE			
MARK	MANUFACTURER	MODEL	DESCRIPTION
FD3	SILOUX CHIEF JOSAM	880 FD-370	LIGHT DUTY PVC WITH 9" DIAMETER LOOSE SET PVC HALF GRATE
FD4SS	SILOUX CHIEF JOSAM	880 FD-370	STAINLESS STEEL FLOOR DRAIN, 6" X 6" SQUARE TOP, SECURED GRATE

CLEANOUT SCHEDULE			
MARK	MANUFACTURER	MODEL	DESCRIPTION
FC01	SILOUX CHIEF JOSAM	2140S 852 C1100 K031 55000 CO-200-RK-4 74000	CAST IRON OR PVC BODY, ROUND EXTRA HEAVY DUTY CAST OR DUCTILE IRON TOP, POLYPROPYLENE OR ABS PLUG, ADJUSTABLE TO FINISH SURFACE.

GENERAL INFORMATION (AS APPLICABLE):  
 1. REFER TO PLANS FOR DRAIN OUTLET SIZE.  
 2. LOAD CLASSIFICATIONS: LIGHT DUTY ~2000 LBS, MEDIUM DUTY 2000 TO 4000 LBS, HEAVY DUTY 5000 TO 7499 LBS, EXTRA HEAVY DUTY 7500 TO 9999 LBS.

PLUMBING FIXTURE SCHEDULE								
MARK	FIXTURE	BRANCH SIZES (MIN)			MANUFACTURER	MODEL	DESCRIPTION, TRIM AND ACCESSORIES	NOTES
		CW	HW	WASTE VENT				
ETMV	EMERGENCY THERMOSTATIC MIXING VALVE				BRADLEY POWERS LEONARD	ES19-2000 ES190-11 1A-300	HEAVY CAST BRONZE BODY VALVE, ROUGH BRONZE FINISH, BIMETAL THERMOSTAT OR THERMAL MOTOR, INTEGRAL CHECK STOPS AND VANDAL RESISTANT LIMIT STOP SET AT 90°F. MINIMUM FLOW RATE: 0.5 GPM.	A
EW1	EYEWASH	1/2"	1 1/2"	1 1/4"	BRADLEY SPEAKMAN ERICON GUARDIAN	SI9-220 SE-580 0103M41 G1814P	WALL MOUNTED, GALVANIZED STEEL PIPE, CHROME PLATED BRASS VALVE, YELLOW PLASTIC BOWL, WITH DUST COVER, 304 SS HANDLE. PROVIDE P-TRAP AND TAILPIECE WHERE APPLICABLE ON PLANS.	A

GENERAL INFORMATION (ALL FIXTURES):  
 1. SUBSTITUTIONS NOT PERMITTED. REF SPECIFICATIONS FOR APPROVED MANUFACTURERS OF THE FOLLOWING TRIM AND ACCESSORIES.  
 -P-TRAP WITH CLEANOUT PLUG AND SINK CONTINUOUS WATERS. 17 GALVIE WITH BRASS NUTS AND SLIP INSERTS.  
 -SS BRAIDED WATER SUPPLY, FLEXIBLE BRAIDED STAINLESS STEEL (SS) OUTER SHEATHING WITH REINFORCED PVC INNER TUBING.  
 -STOP VALVES: CHROME PLATED BRASS, QUARTER TURN ANGLE STOP VALVES.

NOTES:  
 A. MOUNT EYEWASH 36" AFF TO TOP OF HEAD SPRAY.  
 B. INSTALL MOP SINK FAUCET AT 32" AFF AND LOCATE TWO MOP HANGER BRACKETS SIDE BY SIDE NEAR MOP SINK.  
 C. PROVIDE ZURN TMY (MODEL ZW870X1) UNLESS SERVED WITH TEMPERED WATER OR NOTED OTHERWISE ON PLUMBING DRAWINGS. SET AT 120°F.  
 D. TRIM WITH OFFSET TAILPIECE, 3/8" ARMAFLEX INSULATION ON EXPOSED HOT WATER AND DRAIN LINES. HOLD ALL EXPOSED PIPING HIGH AS POSSIBLE.  
 E. REFER TO MANUFACTURER'S INSTALLATION INSTRUCTIONS FOR ACTUAL ROUGH-IN HEIGHT REQUIREMENTS.  
 F. PROVIDE THERMOSTATIC MIXING VALVE.  
 G. PROVIDE 1/2" X 1/2" STAINLESS STEEL SIMPSON WEDGE-ALL ANCHORS FOR ALL FIXTURES.  
 H. CONTRACTOR TO COORDINATE THE REQUIRED CARRIER PRIOR TO ORDERING.

EQUIVALENT NOMINAL PIPE SIZES			
PLAN SIZE (CORR)	POLYPROPYLENE (COPPER)	PVC	PEX
1/2"	1/2"	1/2"	1/2"
3/4"	3/4"	3/4"	3/4"
1"	1"	1"	1 1/4"
1 1/4"	1 1/4"	1 1/4"	1 1/2"
1 1/2"	1 1/2"	1 1/2"	1 1/2"
2"	2"	2"	N/A
2 1/2"	2 1/2"	2 1/2"	N/A
3"	3"	3"	N/A
4"	4"	4"	N/A
6"	6"	6"	N/A

NOTE: REFER TO SPECIFICATIONS FOR APPROVED MANUFACTURERS.

GROCERY PLUMBING EQUIPMENT CONNECTION SCHEDULE							
MARK	FIXTURE	BRANCH SIZES (MIN)				ROUGH-IN REQUIREMENTS	NOTES
		RO	CW	HW	WASTE VENT		
P007C	PRODUCE MISTING SYSTEM	3/4"				RO WATER: 84" AFF WATER: 18" AFF, WASTE: 18" AFF	A, I, O
S004R	WALL MOUNTED HAND SINK WITH RH SPLASH	1/2"	1/2"	1 1/2"	1 1/4"		

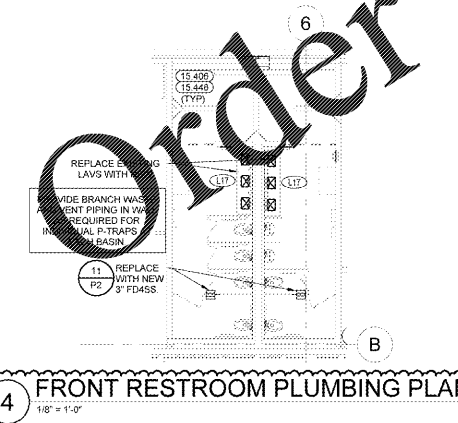
GENERAL INFORMATION (ALL EQUIPMENT):  
 1. EQUIPMENT AND TRIM FURNISHED BY OWNER. ROUGH-IN AND FINAL CONNECTIONS BY PLUMBING CONTRACTOR, UNLESS NOTED OTHERWISE.

NOTES:  
 A. PROVIDE SHUT-OFF VALVES.  
 B. PROVIDE P-TRAP WITH CLEANOUT PLUG AND ESCUTCHEON.  
 C. PROVIDE CHROME PLATED ANGLE SUPPLY, FLEXIBLE RISER, AND WHEEL HANDLE WITH ESCUTCHEON.  
 D. SINK FAUCETS PROVIDED WITH INTEGRAL CHECK VALVES.  
 E. PROVIDE FULL-SIZE DRAIN LINE FROM EQUIPMENT. END OPEN OVER RECEPTOR WITH 2" AIR GAP.  
 F. IF PLUMBING PLAN SHOWS THE SINK INDIRECTLY CONNECTED TO FLOOR SINK, THEN WASTE ROUGH-IN HEIGHT AND FINISH SHALL BE AS NOTED BY OTHERS.  
 G. PROVIDE DOUBLE CHECK BACKFLOW PREVENTER ON WATER SUPPLY. PROVIDE FEMALE NPT VALVE DOWNSTREAM OF BACKFLOW PREVENTER FOR CONNECTION BY OTHERS.  
 H. PLUMBING CONTRACTOR SHALL FURNISH AND INSTALL EXPOSED DOUBLE CHECK BACKFLOW PREVENTER WITH WATTS 8007 OF EQUIPMENT.  
 I. PROVIDE STAINLESS STEEL DOUBLE CHECK BACKFLOW PREVENTER EQUAL TO WATTS SS6070T-S ON RO WATER SUPPLY. PROVIDE TUBING DOWNSTREAM SIDE OF BACKFLOW PREVENTER.  
 J. INSTALL THERMOSTATIC MIXING VALVE FURNISHED WITH SINK WITH HARD-PIPED CONNECTIONS, ANGLE STOPS AND FLEXIBLE CONNECTIONS BETWEEN THERMOSTATIC MIXING VALVE, FOOT PEDAL (PEDESTAL HAND SINK) OR KNEE LEVER (WALL MOUNTED HAND SINK) OR BLADE LEVERS (ADA WALL MOUNTED HAND SINK) AND SINK SET AT 105°F.  
 K. IF RO WATER IS NOT AVAILABLE, PROVIDE INDIVIDUAL WATER FILTER PACKS AS REQUIRED BY MANUFACTURER'S INSTALLATION INSTRUCTIONS.  
 L. PLUMBING CONTRACTOR SHALL FURNISH AND INSTALL EXPOSED DOUBLE CHECK BACKFLOW PREVENTER WITH WATTS 8007 OF EQUIPMENT.  
 M. PROVIDE COLD WATER INJECTOR OPTION IF ON PLAN OR REQUIRED BY AHJ. EQUIPMENT SHALL BE INSTALLED ON 1/2" CW LINE. DOOR DRAIN MODEL #2500.  
 N. REFER TO ARCHITECTURAL DRAWINGS FOR HAND SINK LEFT (L) AND RIGHT (R) DESIGNATIONS WHICH INDICATE INTEGRAL SPLASH GUARD LOCATIONS OR HAND SINK (H) FOR ADA DESIGNATION.  
 O. REFRIGERATION CONTRACTOR TO INSTALL MISTING SYSTEM. SUPPLY CONTRACTOR TO ROUGH-IN AND FINAL CONNECTIONS BY PLUMBING CONTRACTOR.  
 P. RO VENDOR SHALL BE RESPONSIBLE FOR LOCATIONS OF DRINK DISPENSER. PLUMBING CONTRACTOR SHALL PROVIDE EQUAL CONNECTIONS FOR ALL FINAL CONNECTIONS.  
 Q. PROVIDE 1 1/2" P-TRAP AT 12" AFF WITH 1 1/2" TO 3/4" REDUCER. CONNECTION TO RO WATER DISPENSER.  
 R. PROVIDE 3/4" I.D. FEMALE FITTING AND SHUT-OFF FOR RO WATER DISPENSER WATER CONNECTION AT 18" AFF.  
 S. INSTALL 1/2" GPM SPRAY HEAD ON PRESSURE SPRAYER PROVIDED BY FIXTURE MANUFACTURER. PLUMBING CONTRACTOR SHALL FURNISH ORIGINAL SPRAY HEAD TO OWNER.  
 T. EQUIPMENT FURNISHED WITH INTEGRAL BACKFLOW PREVENTER. PLUMBING CONTRACTOR SHALL FURNISH ORIGINAL SPRAY HEAD TO OWNER.  
 U. FILTERED WATER PIPING TO EQUIPMENT IS PROVIDED UNDER SEPARATE CONTRACT.  
 V. PLUMBING CONTRACTOR SHALL PROVIDE INLINE FILTER PER MANUFACTURER'S INSTALLATION INSTRUCTIONS.  
 W. PROVIDE 36" FLEXIBLE GAS CONNECTION.  
 X. PROVIDE 48" FLEXIBLE GAS CONNECTION WITH QUICK DISCONNECT AND UPSTREAM GAS SHUT-OFF VALVE.

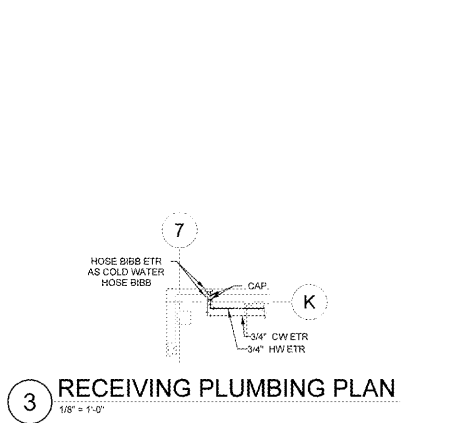
TOILET PLUMBING FIXTURE SCHEDULE								
MARK	FIXTURE	BRANCH SIZES (MIN)			MANUFACTURER	MODEL	TRIM AND ACCESSORIES	NOTES
		CW	HW	WASTE VENT				
L17	LAVATORY DECK 3-STATION	1/2"	1/2"	1 1/2"	LEVANTON STONE	15400-99-SB	EVANINA: WALL MOUNTED, ONE-PIECE QUARTZ DECK (SNOWFALL) CHROME AND STEEL. WALL MOUNTED, ONE-PIECE QUARTZ DECK (SNOW BLIND) BOWL. CHINA SHELL CH-6380 UNDERMOUNT 18" X 13" CHINA BOWL(S) BASE. ACON STAINLESS STEEL APRON (A.P. 3 BOWL), HINGED TRAP AND PIPING ENCLOSURE. FAUCET: TOTO TEL45-5196 - 1.8 GPM SENSOR OPERATED SELF-GENERATING POWER SYSTEM. CHROME PLATED BRASS P-TRAP WITH CLEANOUT GRID STRAINER WITH TAILPIECE CONNECTION ACCESSORIES: (2) STOP VALVES PER DECK, THERMOSTATIC MIXING VALVE KIT (TMV), HOSES & FITTINGS) SET 17M TO 105°F.	B

GENERAL INFORMATION (ALL FIXTURES):  
 1. SUBSTITUTIONS NOT PERMITTED. REF SPECIFICATIONS FOR APPROVED MANUFACTURERS OF THE FOLLOWING TRIM AND ACCESSORIES.  
 -P-TRAP WITH CLEANOUT PLUG AND SINK CONTINUOUS WATERS.  
 -SS BRAIDED WATER SUPPLY, FLEXIBLE BRAIDED STAINLESS STEEL (SS) OUTER SHEATHING WITH REINFORCED PVC INNER TUBING.  
 -STOP VALVES: CHROME PLATED BRASS, QUARTER TURN ANGLE STOP VALVES.

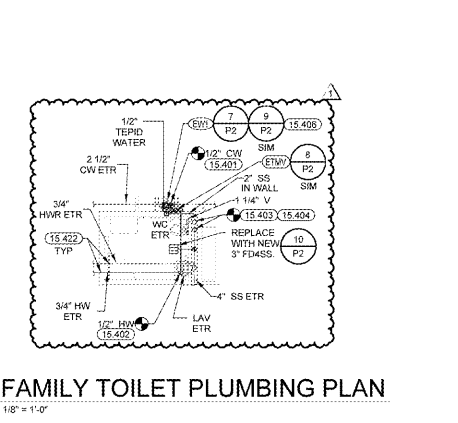
NOTES:  
 A. INSTALL FURNISHED 1/2" X 3/4" STAINLESS STEEL SIMPSON WEDGE-ALL WEDGE ANCHORS FOR ALL FLOOR MOUNTED FIXTURE CARRIERS.  
 B. INSTALL FURNISHED THERMOSTATIC MIXING VALVE.  
 C. REFERENCE ARCHITECTURAL DRAWINGS FOR ELEVATION AND FINISH.  
 D. COORDINATE WATER ROUGH-IN FROM MANUFACTURER'S INSTALLATION INSTRUCTIONS WITH GRAB BAR LOCATION. REF ARCH.  
 E. USE SAME MANUFACTURER FOR UR.  
 F. CONTRACTOR TO FURNISH AND INSTALL FLOOR DECK. FLOOR FIXTURE AND TRIM SUPPLIED BY HAINES, JONES & CADBURY (HJC). REF SPECIFICATIONS.



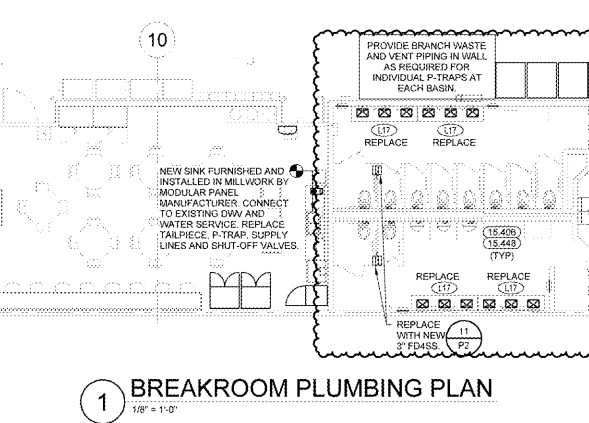
4 FRONT RESTROOM PLUMBING PLAN  
1/8" = 1'-0"



3 RECEIVING PLUMBING PLAN  
1/8" = 1'-0"



2 FAMILY TOILET PLUMBING PLAN  
1/8" = 1'-0"



1 BREAKROOM PLUMBING PLAN  
1/8" = 1'-0"

EACH SUBCONTRACTOR IS RESPONSIBLE FOR HAVING A THOROUGH KNOWLEDGE OF ALL DRAWINGS AND SPECIFICATIONS IN THEIR RELATED FIELD. THE FAILURE TO ACQUAINT THEMSELVES WITH THIS KNOWLEDGE DOES NOT RELIEVE THE RESPONSIBILITY OF PERFORMING THE WORK PROPERLY. NO ADDITIONAL COMPENSATION SHALL BE ALLOWED BECAUSE OF CONDITIONS THAT OCCUR DUE TO FAILURE TO FAMILIARIZE WORKERS WITH THIS KNOWLEDGE.

EXISTING CONDITIONS WERE TAKEN FROM ORIGINAL DRAWINGS AND MAY NOT REFLECT EXACT AS-BUILT CONDITIONS. CONTRACTOR SHALL FIELD VERIFY ALL EXISTING CONDITIONS PRIOR TO SUBMITTING FINAL BIDS. CONTRACTOR SHALL CAREFULLY COORDINATE NEW WORK AND DEMOLITION WITH ALL OTHER DISCIPLINES AND EXISTING CONDITIONS.

ENLARGED PLUMBING PLANS AND SCHEDULES

SHEET: P1

Order Plans @

Walmart.com

GENERAL NOTES

REFER TO SHEET M01 FOR GENERAL NOTES PERTAINING TO THIS SHEET.

KEYNOTES

15.401 CONNECT TO NEAREST DOMESTIC COLD WATER PIPE OF EQUAL OR LARGER SIZE. VERIFY SIZE AND LOCATION AT SITE. PROVIDE SHUT-OFF VALVE IN NEW PIPE AT POINT OF CONNECTION.

15.402 CONNECT TO EXISTING HOT WATER PIPE OF EQUAL OR LARGER SIZE. VERIFY SIZE AND LOCATION AT SITE. PROVIDE SHUT-OFF VALVE IN NEW PIPE AT POINT OF CONNECTION.

15.403 CONNECT TO EXISTING SANITARY PIPE OF EQUAL OR LARGER SIZE. VERIFY SIZE, LOCATION AT SITE, AND FLOW DIRECTION AT POINT OF CONNECTION.

15.404 CONNECT TO EXISTING PIPE OF EQUAL OR LARGER SIZE. VERIFY SIZE AND LOCATION AT POINT OF CONNECTION.

15.405 PLUMBING CONTRACTOR TO MAKE ALL NECESSARY DISCONNECTS AND RECONNECTS OF PLUMBING FIXTURES BEING RELOCATED OR REMOVED.

15.406 EXISTING PIPING TO REMAIN (VERIFY LOCATION AND DEPTH). PLUMBING CONTRACTOR TO MAKE ALL NECESSARY DISCONNECTS AND RECONNECTS OF PLUMBING FIXTURES FOR FINISHES WORK. PROVIDE CONTINUOUS SEALANT ALONG THE EDGES OF RECONNECTED FIXTURES.

Walmart FAYETTEVILLE, NC

STORE NO.: 1261-248

USRM/07/256 - PHOTO

ISSUE BLOCK

1	REV #1	06/19/2020
---	--------	------------

CHECKED BY: JJB  
 DRAWN BY: KOW  
 PHOTO CYCLE: 02/8/2020  
 DOC DATE: 04/15/2020

DOCUMENTS WITHOUT SIGNATURE AND REQUIRED SEAL OF ADROR ARE NOT FOR CONSTRUCTION

CONTRACTOR'S RESPONSIBILITY FOR OBTAINING ALL NECESSARY PERMITS AND APPROVALS FROM ALL APPLICABLE AGENCIES AND AUTHORITIES IS THE CONTRACTOR'S RESPONSIBILITY. THE CONTRACTOR SHALL BE RESPONSIBLE FOR OBTAINING ALL NECESSARY PERMITS AND APPROVALS FROM ALL APPLICABLE AGENCIES AND AUTHORITIES. THE CONTRACTOR SHALL BE RESPONSIBLE FOR OBTAINING ALL NECESSARY PERMITS AND APPROVALS FROM ALL APPLICABLE AGENCIES AND AUTHORITIES.

CONTRACTOR'S RESPONSIBILITY FOR OBTAINING ALL NECESSARY PERMITS AND APPROVALS FROM ALL APPLICABLE AGENCIES AND AUTHORITIES IS THE CONTRACTOR'S RESPONSIBILITY. THE CONTRACTOR SHALL BE RESPONSIBLE FOR OBTAINING ALL NECESSARY PERMITS AND APPROVALS FROM ALL APPLICABLE AGENCIES AND AUTHORITIES. THE CONTRACTOR SHALL BE RESPONSIBLE FOR OBTAINING ALL NECESSARY PERMITS AND APPROVALS FROM ALL APPLICABLE AGENCIES AND AUTHORITIES.

CYNTERGY ENGINEERING, PLLC  
 CA # P-6884  
 EXPIRES 06/30/2020  
 MICHAEL D. OBERMARK  
 REGISTERED PROFESSIONAL ENGINEER