

AIR DEVICE SCHEDULE							
MARK	SERVICE	MANUFACTURER	MODEL	STYLE	FRAME TYPE	FACE SIZE	NOTES
DB8-3	SUPPLY AIR (3 WAY DROP BOX)	AES INDUSTRIES INC	ADB-1-5-3	DROP BOX DIFFUSER	---	---	A, G, H
SAW	SUPPLY AIR	TUTTLE & BAILEY E.H. PRICE CARNES	T84 520DS RT08V	LOUVERED FACE REGISTER	SURFACE MOUNT	REFER TO DRAWINGS	B, E, F

GENERAL INFORMATION (ALL DEVICES):
1. THIS SCHEDULE IS COMPREHENSIVE. ALL MARKS MAY OR MAY NOT BE USED ON THE PLANS.
2. INSTALL BOTTOM OF WALL MOUNTED AIR DEVICES AT ELEVATION INDICATED ON DRAWINGS UNLESS NOTED OTHERWISE.

NOTES:
A. 8-WAY (DB1-0B3) OR 4-WAY (DB4-0B8) THROW UNLESS SHOWN OTHERWISE WITH FLOW ARROWS ON PLAN.
B. ALL STEEL CONSTRUCTION.
C. ALL ALUMINUM CONSTRUCTION.
D. BRANCH DUCT SIZE SHALL BE SAME AS NOTED DIFFUSER NECK SIZE UNLESS NOTED OTHERWISE.
E. STANDARD WHITE FINISH.
F. PROVIDE NECK FOR DUCT CONNECTION.
G. DROP BOX DIFFUSERS FURNISHED BY OWNER INSTALLED BY CONTRACTOR. REFERENCE SPECIFICATIONS.
H. PROVIDE INTEGRAL OPPOSED BLADE DAMPERS ON ALL DRUM LOUVERS ON DROP BOXES WITH BRANCH DUCTWORK ATTACHED TO THE SUPPLY PLENUM.
I. PROVIDE MANUFACTURER'S OPPOSED BLADE DAMPER IN NECK.
J. PROVIDE WITH FASTENERS FOR COMPLETE (NON-RIGID) REMOVABILITY OF GRILLE. DO NOT PROVIDE FILTER UNLESS NOTED OTHERWISE.
K. TWO 2" SLOTS WITH MANUFACTURER'S INSULATED PLENUM (TITUS FB1, PRICE JSPI, CARNES CXPC).
L. SET PRIMARY AIR MINIMUM TO 40 CFM AND MAXIMUM TO 300 CFM.
M. ELECTRICAL INFORMATION: 120V ELECTRIC HEAT, 277V SINGLE PHASE, AND FACTORY MOUNTED DISCONNECT.
N. UNIT HEAT SHALL BE CONTROLLED BY MANUFACTURER'S REMOTE MOUNTED 24V THERMOSTAT. REFERENCE PLANS FOR THERMOSTAT LOCATION.
O. PROVIDE FACTORY-INSTALLED, PRESSURE INDEPENDENT, ELECTRONIC CONTROL PACKAGE WITH FACTORY INSTALLED CONTROL POWER TRANSFORMER.
P. REFER TO PLANS FOR DIRECTIONAL ARROWS INDICATING CFM THROWS FOR PROPER GRILLE SELECTION.
Q. FASTENERS SUPPLIED BY HUS (HAINES, JONES & CADBORRY). CONTACT CUSTOMER SERVICE (800) 459-7099.
R. STANDARD BLACK FINISH.
S. GRAY FINISH.
T. PROVIDE CEILING TRANSITION REGISTER BOX WITH 16" OR 24" PLATE FOR ROUGH-IN.

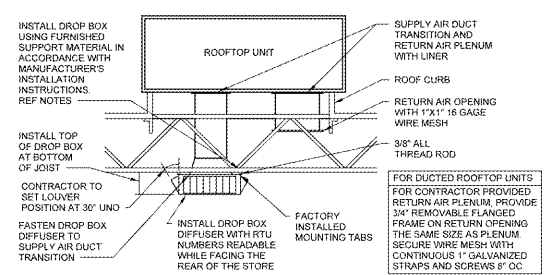
GENERAL NOTES

REFER TO SHEET M1 FOR GENERAL NOTES PERTAINING TO THIS SHEET.

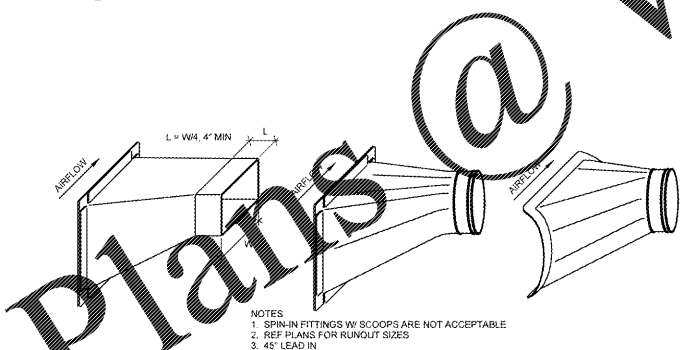
MECHANICAL SYMBOLS	
	RECTANGULAR DUCT 18" WIDE BY 12" DEEP
	12" DIAMETER ROUND DUCT
	SUPPLY DUCT IN SECTION
	RETURN OR EXHAUST DUCT IN SECTION
	TEE WITH TURNING VANES
	ROUND (OR OVAL) ELBOW
	VOLUME/BALANCE DAMPER
	SUPPLY AIR DIFFUSER WITH ROUND SUPPLY DUCT
	RETURN OR EXHAUST AIR DIFFUSER WITH ROUND DUCT
	FACE SIZE DIFFUSER OR GRILLE TYPE CFM
	THERMOSTAT
	TIMER
	TEMP SENSOR
	CONNECT TO EXISTING
	EXISTING TO REMAIN
	FIRE DAMPER

KEYNOTES

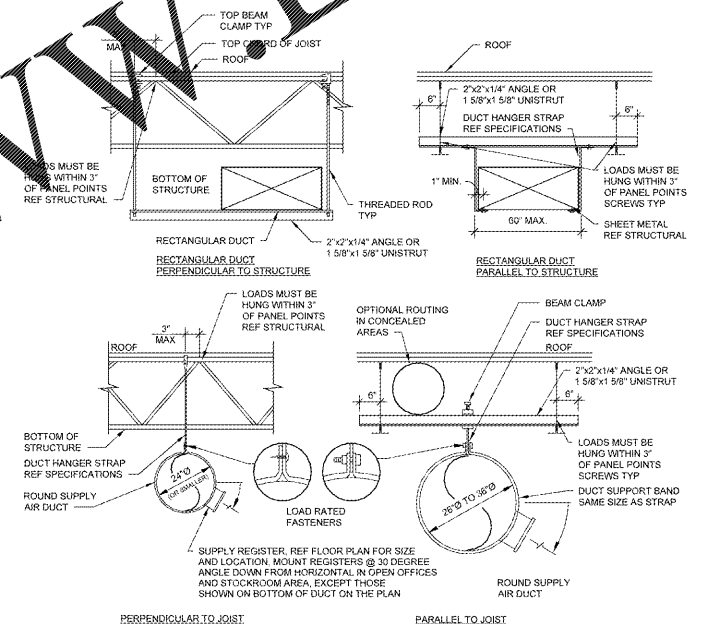
15.700 REMOVE AIR DEVICES AND DUCTWORK SHOWN DASHED UNLESS OTHERWISE NOTED AND CAP OFF DUCTWORK TO REMAIN. PATCH AND REPAIR DUCTWORK AS NEEDED INCLUDING SEALING DUCTWORK TO REMAIN PER SPECIFICATIONS.



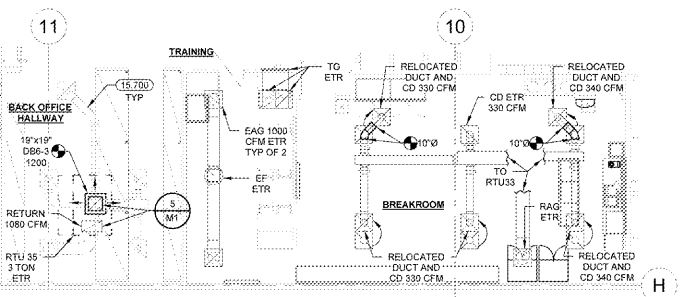
5 STOCKROOM RTU DROP BOX
NTS



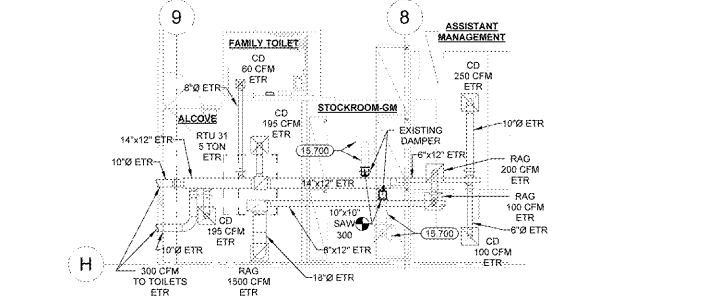
4 HIGH EFFICIENCY BRANCH DUCT FITTING
NTS



3 DUCT SUPPORT AND GRILLE
NTS



2 BREAKROOM / BACK HALLWAY HVAC PLAN
1/8\"/>



1 FAMILY TOILET / STOCKROOM MECHANICAL PLAN
1/8\"/>

EACH SUBCONTRACTOR IS RESPONSIBLE FOR HAVING A THOROUGH KNOWLEDGE OF ALL DRAWINGS AND SPECIFICATIONS IN THEIR RELATED FIELD. THE FAILURE TO ACQUAINT THEMSELVES WITH THIS KNOWLEDGE DOES NOT RELIEVE THE RESPONSIBILITY OF PERFORMING THE WORK PROPERLY. NO ADDITIONAL COMPENSATION SHALL BE ALLOWED BECAUSE OF CONDITIONS THAT OCCUR DUE TO FAILURE TO FAMILIARIZE WORKERS WITH THIS KNOWLEDGE.

EXISTING CONDITIONS WERE TAKEN FROM ORIGINAL DRAWINGS AND MAY NOT REFLECT EXACT "AS-BUILT" CONDITIONS. CONTRACTOR SHALL VERIFY ALL EXISTING CONDITIONS PRIOR TO SUBMITTING FINAL BIDS. CONTRACTOR SHALL CAREFULLY COORDINATE NEW WORK AND DEMOLITION WITH ALL OTHER DISCIPLINES AND EXISTING CONDITIONS.

Order Plans @ www.WLDIline.com

CYBERGY ENGINEERING, PLLC
CA # P-6388
EXPIRES 06/30/2020
MICHAEL D. OBERMARK
REGISTERED PROFESSIONAL ENGINEER

Walmart FAYETTEVILLE, NC

JOB NUMBER: 15B-SC
STORE NO.: 1261-246
USRM/07/256 : PHOTO:

CHECKED BY: JJB
DRAWN BY: kow
PROTO CYCLE: 02/8/2020
DOCUMENT DATE: 04/15/2020

DOCUMENTS WITHOUT SIGNATURE AND REQUIRED SEAL OF APPROVER ARE NOT FOR CONSTRUCTION

ENLARGED MECHANICAL PLANS, DETAILS AND SCHEDULES

SHEET: **M1**