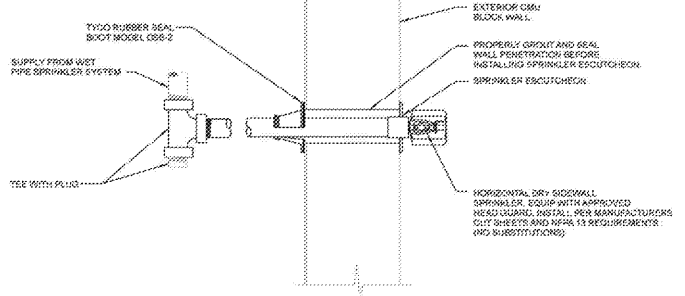
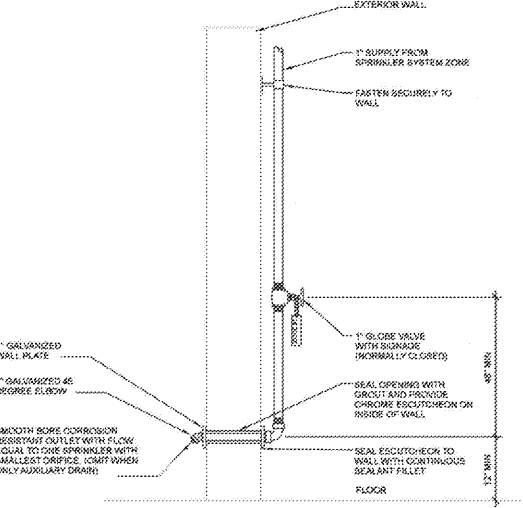


EXISTING CONDITIONS WERE TAKEN FROM ORIGINAL DRAWINGS AND MAY NOT REFLECT EXACT "AS-BUILT" CONDITIONS. CONTRACTOR SHALL VERIFY ALL EXISTING CONDITIONS PRIOR TO SUBMITTING FINAL BID. CONTRACTOR SHALL CAREFULLY COORDINATE NEW WORK AND DEMOLITION WITH ALL OTHER DISCIPLINES AND EXISTING CONDITIONS.

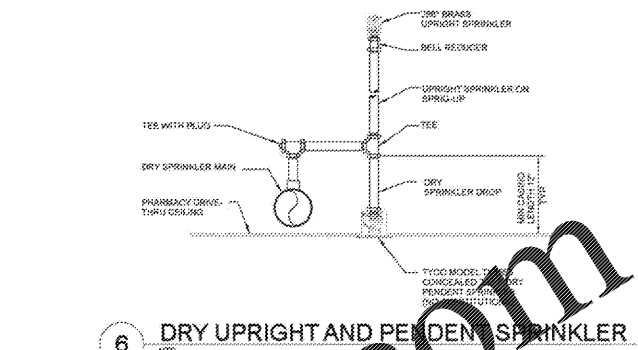
EACH SUBCONTRACTOR IS RESPONSIBLE FOR HAVING A THOROUGH KNOWLEDGE OF ALL DRAWINGS AND SPECIFICATIONS IN THEIR RELATED FIELD. THE FAILURE TO ACQUAINT THEMSELVES WITH THIS KNOWLEDGE DOES NOT RELIEVE THE RESPONSIBILITY OF PERFORMING THE WORK PROPERLY. NO ADDITIONAL COMPENSATION SHALL BE ALLOWED BECAUSE OF CONDITIONS THAT EXIST DUE TO FAILURE TO FAMILIARIZE WORKERS WITH THIS KNOWLEDGE.



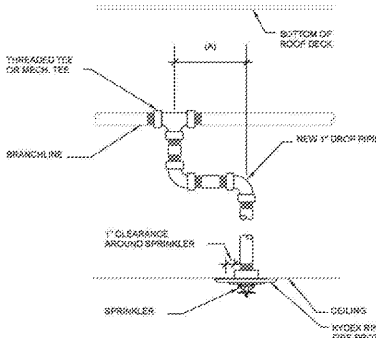
8 DRY SIDEWALL SPRINKLER NTS



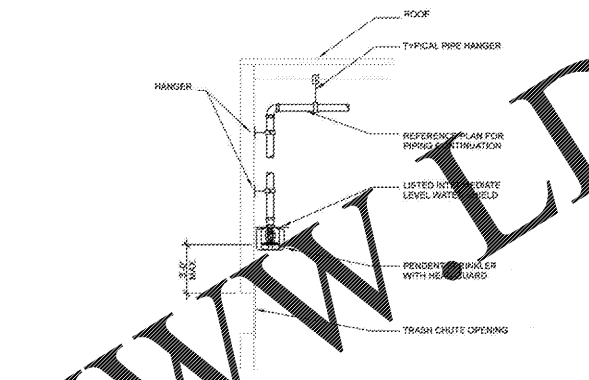
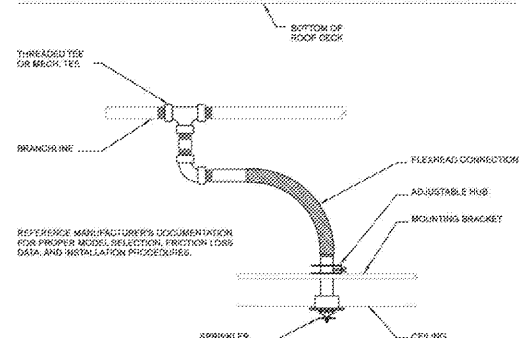
7 AUXILIARY DRAIN / INSPECTORS TEST NTS



6 DRY UPRIGHT AND PENDENT SPRINKLER NTS



5 LOW CEILING SPRINKLER NTS



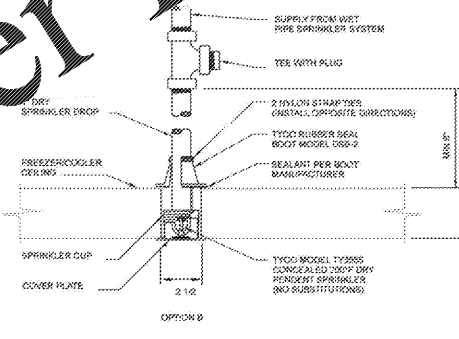
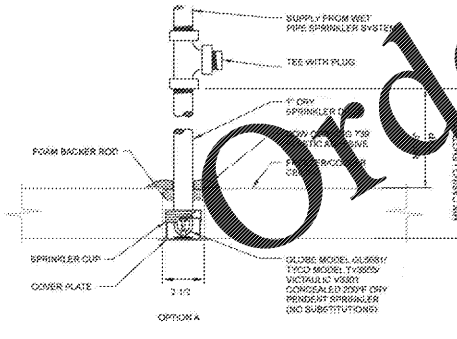
2 AIR VENT NTS

OPTION "A" INSTALLATION PROCEDURE

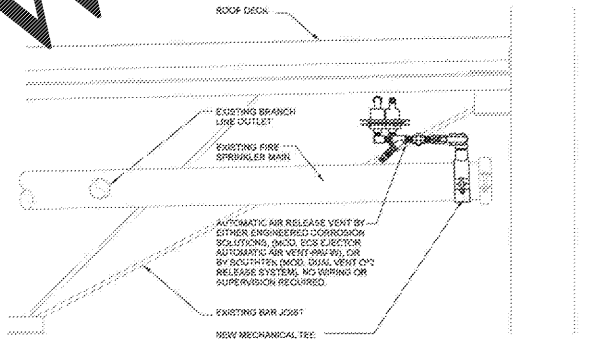
- CORE DRILL 2 1/2" DIAMETER HOLE IN THE FREEZER/COOLER INSULATED CEILING PANEL, LOCATE HOLES AND REQUIRED SPACING ON INSTALLATION IN ACCORDANCE WITH NFPA 13 (SEE PRACTICAL CRITERIA - RSP TYPE SPRINKLERS). MAINTAIN 6" CLEARANCE FROM COULER BEAM.
- INSTALL DRY PENDENT SPRINKLER PER MANUFACTURERS INSTALLATION REQUIREMENTS.
- COMPLETELY FILL ANNULAR GAP BETWEEN THE ESCUTCHEON AND TOP OF CEILING PANEL WITH OPEN CELL POLYETHYLENE FOAM BACKER ROD EXPANDED FOAM IS NOT PERMITTED.
- PROJECT DOWN CORNING FW PLASTIC ADHESIVE SEALANT INTO AND AROUND THE TOP OF THE FREEZER/COOLER CEILING CORE OPENING IN ACCORDANCE WITH SEALANT MANUFACTURERS INSTRUCTIONS.

OPTION "B" INSTALLATION PROCEDURE

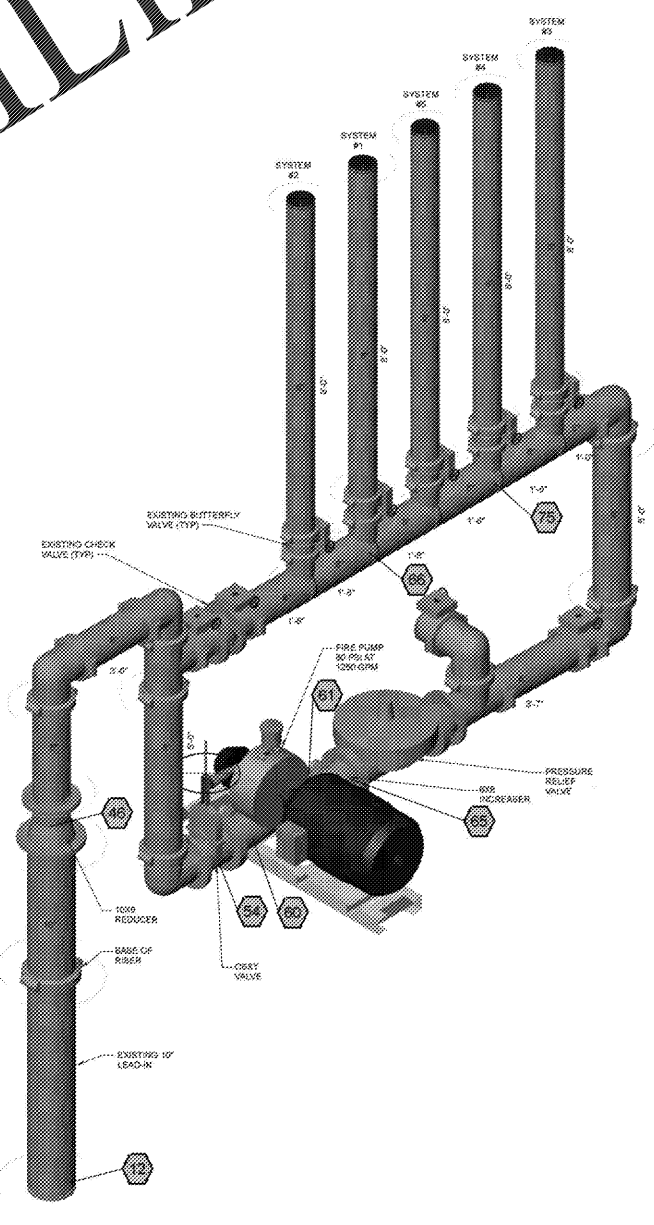
- CORE DRILL 2 1/2" DIAMETER HOLE IN THE FREEZER/COOLER INSULATED CEILING PANEL, LOCATE HOLES AND REQUIRED SPACING ON INSTALLATION IN ACCORDANCE WITH NFPA 13 (SEE PRACTICAL CRITERIA - RSP TYPE SPRINKLERS). MAINTAIN 6" CLEARANCE FROM COULER BEAM.
- INSTALL TYCOO DRY PENDENT SPRINKLER PER MANUFACTURERS INSTALLATION REQUIREMENTS.
- COMPLETELY FILL ANNULAR GAP BETWEEN THE ESCUTCHEON AND TOP OF CEILING PANEL WITH OPEN CELL POLYETHYLENE FOAM BACKER ROD EXPANDED FOAM IS NOT PERMITTED.
- APPLY STAP TIES ON BEZEL AROUND DRY SPRINKLER BARREL PER MANUFACTURERS INSTRUCTIONS.



3 FREEZER / COOLER DRY PENDENT SPRINKLER NTS



1 EXISTING SPRINKLER RISER NTS



SPRINKLER CONTRACTOR SHALL PROVIDE NEW PERMANENT PLACARD CONTAINING ALL RELEVANT INFORMATION. PLACARDS SHOULD BE PLACED ON CORRESPONDING SYSTEM RISERS. PLACARDS THAT ARE INSTALLED WITH PERMANENTAL WRITEN WITH PERMANENT MARKER WILL NOT BE ACCEPTED. REF: RFP 1, RFP 2, AND RFP 3.

www.LDILine.com

Order Plans @

WALMART
FAYETTEVILLE, NC

STOCK NO. 4281-246
ITEM NUMBER 4281-246
ITEM NUMBER 4281-246

ISSUE BLOCK

NO.	DESCRIPTION	DATE	BY

CHECKED BY: JAW
DRAWN BY: DJG
PROJECT NO: 067080205
DOCUMENT DATE: 04/17/2023

DOCUMENTS WITHOUT SIGNATURE AND REQUIRED SEAL OF ARCHITECT ARE NOT FOR DISTRIBUTION

JAMES ROY SPRUELLING
04/04/27/2023

FIRE PROTECTION DETAILS