

LIGHT FIXTURE SCHEDULE																
ALL ITEMS LISTED ON THE "LIGHT FIXTURE SCHEDULE" WILL BE SUPPLIED BY THE OWNER (O'REILLY). ITEMS SHALL BE DIRECT ORDERED AND OR RELEASED FROM THE LISTED ELECTRICAL EQUIPMENT DISTRIBUTOR:																
GRAYBAR ELECTRIC CO. INC. 11855 LACKLAND ROAD ST. LOUIS, MO 63146																
GRAYBAR O'REILLY TEAM EMAIL: oreilly@graybar.com TOLL FREE: (314) 573-2080																
MARK	MFR.	CATALOG NUMBER	SUPPLY VOLTAGE	FINISH	LAMP	FINISH	RECESSED	SURFACE WALL	FLUORESCENT	TYPE	LAMP QUANTITY	(General Electric) LAMP CATALOG NUMBER/TYPE	WATTAGE	DESCRIPTION OF ACCESSORIES	NOTES	FIXTURE QUANTITY
LED DIMMABLE LIGHTS - ALL INDOOR LIGHT FIXTURES SHALL HAVE DISCONNECTING MEANS TO COMPLY WITH NEC 410.130(G)																
A	LSI	SDL6 LED 80L FL UNV DIM1 40 BCR01 OR NO SUBSTITUTIONS	120	WHITE				X					62	GRID HANGER (2 PER FIXTURE)	GRID HANGER (648480) (CEILING GRID ONLY). 0-10 VOLT DIMMING DRIVER STANDARD	49
B	LSI	SDL4 LED 40L FL UNV DIM1 40 BCR01 OR NO SUBSTITUTIONS	120	WHITE				X					30	GRID HANGER (2 PER FIXTURE)	GRID HANGER (648480) (CEILING GRID ONLY). 0-10 VOLT DIMMING DRIVER STANDARD. OMIT GRID HANGER @ HARD CEILING	13
C	LSI	SDL6 LED 80L FL UNV DIM1 40 BCR01 OR NO SUBSTITUTIONS	120	WHITE				X					62	5' CHAIN HANGING KIT (1 PER FIXTURE)	HANG TOP OF FIXTURES AT 12' A.F.F. WITH CHAIN HANGERS AND VERIFY LENGTH OF CHAIN REQUIRED. 0-10 VOLT DIMMING DRIVER STANDARD	32
D	LSI	SDL4 LED 40L FL UNV DIM1 40 BCR01 OR NO SUBSTITUTIONS	120	WHITE				X					30	5' CHAIN HANGING KIT (1 PER FIXTURE)	HANG TOP OF FIXTURES AT 12' A.F.F. WITH CHAIN HANGERS AND VERIFY LENGTH OF CHAIN REQUIRED. 0-10 VOLT DIMMING DRIVER STANDARD	11
LED DIMMABLE LIGHTS (EMERGENCY BATTERY PACK)																
AE	LSI	SDL6 LED 80L FL UNV DIM1 40 BCR01 EM10 OR NO SUBSTITUTIONS	120	WHITE				X					62	GRID HANGER (2 PER FIXTURE)	GRID HANGER (648480) (CEILING GRID ONLY). 0-10 VOLT DIMMING DRIVER STANDARD. 10W EMERGENCY BATTERY PACK INSTALLED (EM10). INSTALL UNSWITCHED POWER SOURCE TO EACH FIXTURE. SEE DIAGRAM 1/E1	3
COMBINATION EXIT/EMERGENCY LIGHTS, EMERGENCY LIGHTS & EXTERIOR EMERGENCY REMOTE HEADS																
XR	COOPER	APCH7R (RED LETTERS)	120	WHITE			X	X			2	LED EXIT + (2) 3.6V	2.34	UNIVERSAL (WALL/CLG.) SINGLE PR DOUBLE FACE	BACKUP BATTERIES SHALL MAINTAIN 100% ILLUMINATION FOR A MINIMUM OF 90 MINUTES TO COMPLY WITH ARTICLE 700.12(A) OF THE N.E.C. IF CEILING HEIGHT IS 11'-7" OR LOWER, CEILING MOUNT. IF CEILING HEIGHT IS HIGHER THAN 11'-7", WALL MOUNT AT 12'-8" AFF.	9
EM	COOPER	APEL	120	WHITE			X	X			2	3.6V	0.33	UNIVERSAL (WALL/CLG.)	BACKUP BATTERIES SHALL MAINTAIN 100% ILLUMINATION FOR A MINIMUM OF 90 MINUTES TO COMPLY WITH ARTICLE 700.12(A) OF THE N.E.C. MOUNT 12'-8" MINIMUM AFF.	9
XR	COOPER	APWR2	3.6V DC	WHITE			X				2	LED REMOTE HEAD	0		POWERED BY EMERGENCY "XR" FIXTURE.	3
LED EXTERIOR LIGHTS																
PC	INTERMATIC	PHOTOCELL - #K4251	120	DARK BRONZE			X								MOUNT ABOVE WALL LIGHT LOCATED NEAR FREIGHT DOOR.	1
L	LSI	LAD6 41 LED 40 75 UE TR6R SFHAZ	120	CLEAR			X				1				RECESSED CAN.	1
W01 SEE "SP1" SHEET FOR EXTERIOR LIGHTING WALL SCONCE FIXTURE SCHEDULE																
W01 SEE "SP1" SHEET FOR EXTERIOR LIGHTING POLE LIGHT FIXTURE SCHEDULE																

FIXTURE QUANTITY TO BE VERIFIED WITH LIGHTING PLAN QUANTITY

EXIT SIGNS

REFER TO NOTES IN "LIGHT FIXTURE SCHEDULE" FOR MINIMUM MOUNTING HEIGHT FOR EXIT SIGNS (FIXTURE "XR"). ALL EXIT SIGNS MUST BE CLEARLY VISIBLE, NOT OBSCURED BY SHELVING AND/OR MERCHANDISE AND COORDINATED WITH INTERIOR PAINT SCHEME. CONFIRM SHELVING HEIGHT(S) AND PAINT SCHEME WITH O'REILLY REPRESENTATIVE PRIOR TO INSTALLATION.

THE MAXIMUM HEIGHT FOR AN EXIT LIGHT ASSOCIATED WITH A SPECIFIC OPENING (I.E. MOUNTED OVER A DOOR OR OPENING) SHALL BE NO GREATER THAN THE CODE ALLOWED 8'-8" ABOVE THE TOP EDGE OF THE DOOR OR OPENING.

SEISMIC RESTRAINTS (ONLY REQUIRED FOR SEISMIC DESIGN CATEGORIES C,D,E,F)

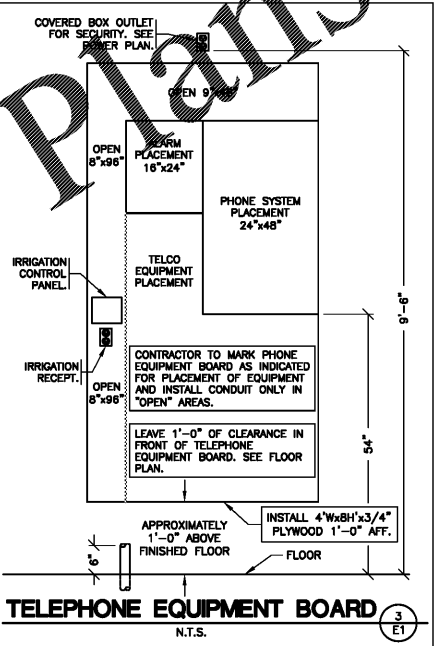
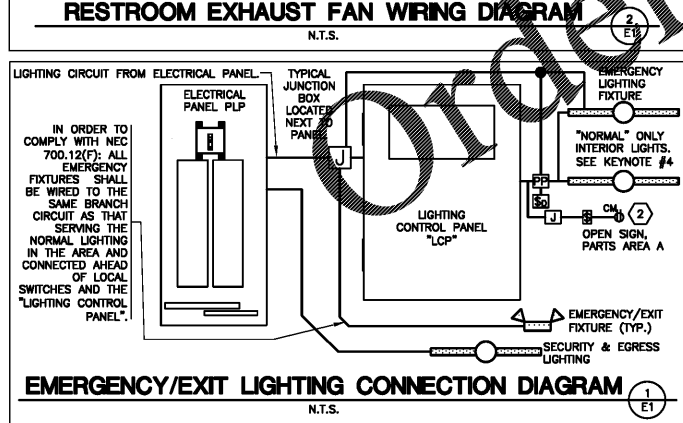
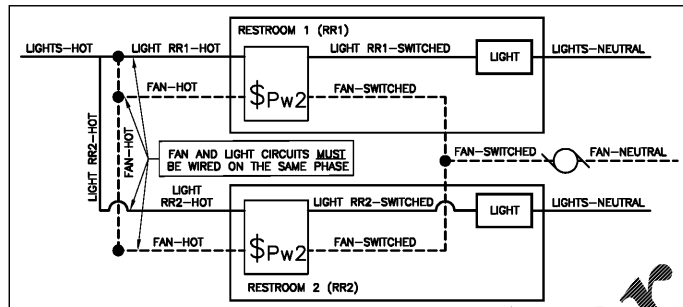
CONTRACTOR TO REFER TO ARCHITECTURAL SHEET G1.1 FOR SEISMIC DESIGN CATEGORY.

IF REQUIRED SEE SEISMIC DETAILS SHEET ME1.

CONDUIT REQUIREMENTS

ALL WIRING SHALL BE IN CONDUIT, EXCEPT THAT MC-CABLE MAY BE SUBSTITUTED ONLY AS FOLLOWS:

- MC-CABLE (MAXIMUM CABLE LENGTH OF 10'-0") MAY BE INSTALLED ONLY FOR BRANCH CIRCUIT WIRING TO LIGHT FIXTURES.
- MC-CABLE (MAXIMUM CABLE LENGTHS SHOWN ON DETAIL 2/E2) MAY BE INSTALLED ONLY ABOVE SLAB AND ONLY AT LOCATIONS INDICATED ON E2 SHEET. SEE SHEET E4 FOR MORE REQUIREMENTS



- ### LIGHTING - KEYNOTES
- MOUNT J-BOX INSIDE BUILDING & FLEX CONDUIT THRU WALL FOR POWER SUPPLY TO ILLUMINATED SIGN. EXACT LOCATIONS OF PENETRATIONS SHALL BE COORDINATED WITH SIGN COMPANY. PENETRATIONS SHALL BE BEHIND SIGNAGE. WATERPROOF W/ ELASTOMERIC POLYURETHANE (NO EXCEPTIONS) EQUAL TO "VULKEM" 116. WIRE TO SIGN WITH 15' OF WIRING "WHIP" (SHALL BE FLEX OR TYPE MC CABLE). COIL AND "CABLE TIE" WIRING "WHIP" TO WALL ABOVE CEILING. TYPICAL.
 - TO "OPEN" SIGN. SEE SHEET E2.
 - SEE "E" PANEL TRANSFER SWITCH SCHEDULE FOR POSITION OF CIRCUIT WIRES THROUGH TRANSFER SWITCH.
 - VIA LIGHTING CONTROL PANEL. SEE EM SHEET.
 - DIMMER LIGHTING CONTROL SWITCHES LOCATED ON OUTSIDE WALL OF OFFICE. SEE LIGHTING PLAN FOR QUANTITY. SEE DETAILS ON SHEET E4 FOR MORE INFORMATION.
 - SUSPEND 8'-0" A.F.F. THIS FIXTURE ONLY.
 - ROUTE THE OFFICE AND RESTROOM LIGHTING CIRCUIT THRU THE LOCAL OCCUPANCY SENSORS AND DIRECTLY TO THE CIRCUIT BREAKER. THESE FIXTURES SHALL NOT BE SWITCHED BY THE LIGHTING CONTROL PANEL. SEE "E" PANEL TRANSFER SWITCH SCHEDULE FOR POSITION OF CIRCUIT WIRES THROUGH TRANSFER SWITCH.
 - REFER TO ARCHITECTURAL ELEVATIONS SHEETS SHOWING DIMENSIONED LOCATIONS. TYPICAL ALL WALL SCONCES.
 - SECURITY & EGRESS FIXTURE TO BE AS CLOSE AS POSSIBLE BUT NOT OVER THE OVERHEAD DOOR WHEN OPEN.
 - ROUTE SECURITY & EGRESS LIGHTING CIRCUIT DIRECTLY TO THE ELECTRICAL PANEL.

AUTOMATIC LIGHTING CONTROL

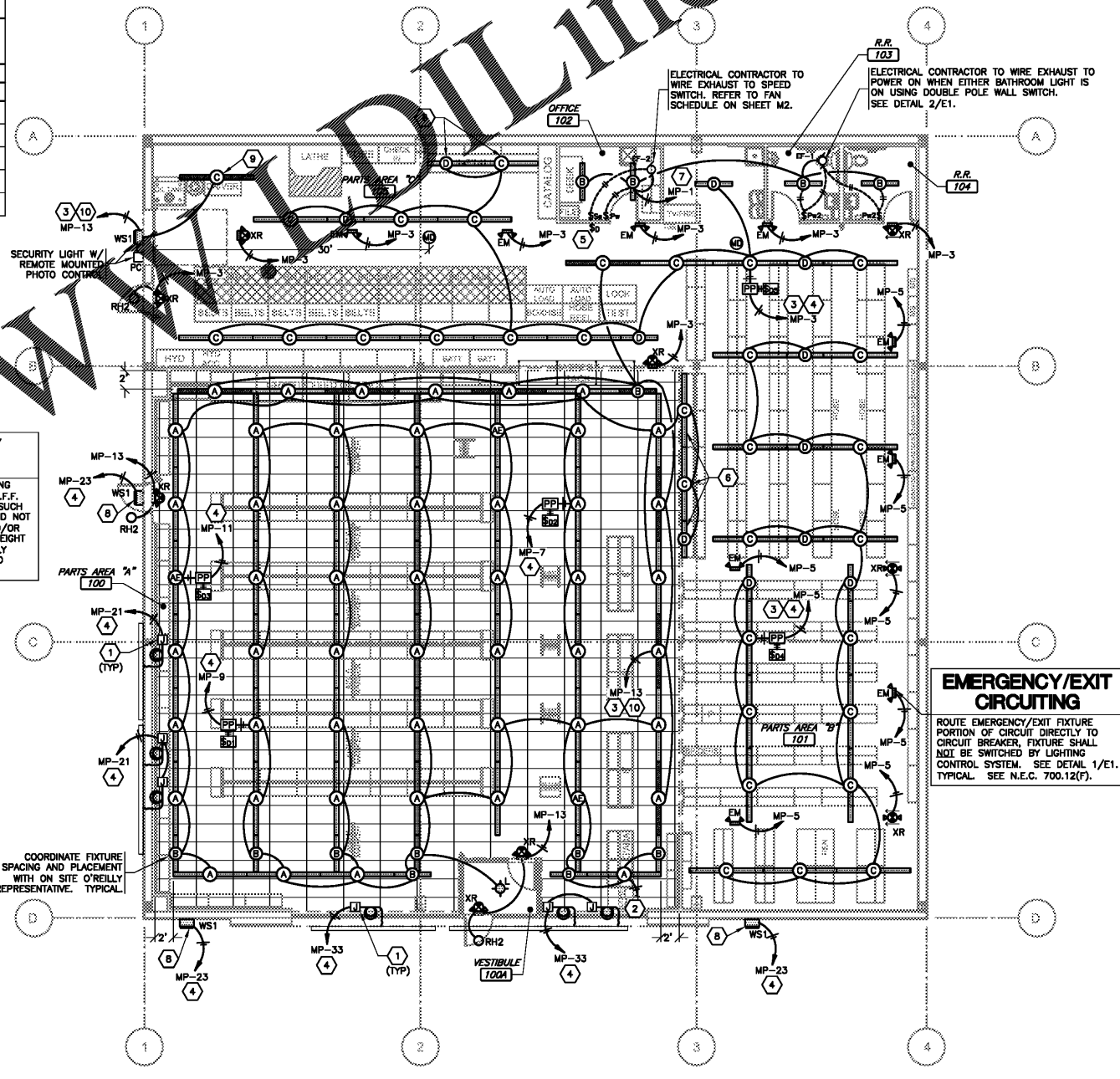
COMPLIANCE WITH ENERGY CODE IS ACHIEVED BY:

- ONCE THE EMS HAS BEEN PROGRAMMED, THE INTERIOR AND EXTERIOR LIGHTS WILL TURN ON AND OFF USING THE FOLLOWING LOGIC: SEE EM SHEETS.
 - INTERIOR WORK LIGHTS WILL TURN ON WITH FIRST MOTION IN THE STORE AND WILL TURN OFF 15 MINUTES AFTER LAST MOTION ONCE THE STORE IS CLOSED.
 - INTERIOR SALES LIGHTS WILL TURN ON AT STORE OPENING AND TURN OFF 15 MINUTES AFTER STORE CLOSING.
 - EXTERIOR SIGN LIGHTS WILL TURN ON WHEN ITS DARK ENOUGH OUTSIDE ANYTIME DURING STORE HOURS, AND WILL TURN OFF AT STORE CLOSING.
 - EXTERIOR SITE LIGHTS WILL TURN ON WHEN IT IS DARK ENOUGH OUTSIDE AND IT IS WITHIN STORE HOURS OR THERE IS MOTION IN THE STORE. THEY WILL TURN OFF 30 MINUTES AFTER LAST MOTION ONCE THE STORE IS CLOSED.
- RESTROOMS AND OFFICES: ALL LIGHTING IN THESE AREAS ARE CONTROLLED BY OCCUPANT-SENSING DEVICES.

INTERIOR LIGHTING ZONES

ALL INTERIOR LIGHTING WITHIN PARTS AREA "A" SHALL BE CONSIDERED "SALES" ZONE (ON ONLY WHEN STORE IS OPEN FOR BUSINESS).

ALL INTERIOR LIGHTING WITH PARTS AREA "B", PARTS AREA "C", RESTROOMS, OFFICE, AND BREAK AREA SHALL BE CONSIDERED "WORK" ZONES (ON WHENEVER THERE IS MOTION OR THE STORE IS OPEN).



LIGHTING PLAN
SCALE: 1/8" = 1'-0"

ENGINEER OF RECORD
RYAN S. JONES
ENGINEER LICENSE NUMBER
047828

SHEETS BEARING THIS SEAL ARE AUTHENTICATED. RESPONSIBILITY FOR ALL OTHER PLANS, SPECIFICATIONS OR INSTRUMENTS ARE DISCLAIMED.

2225 West Chesnut Blvd. Suite 200, Springfield, MO 65807
P: 417.877.1700
www.cjd-eng.com

Engineering | Energy | Innovation
2225 West Chesnut Blvd. Suite 200, Springfield, MO 65807
P: 417.877.1700
www.cjd-eng.com

PROJECT:
NEW O'REILLY AUTO PARTS STORE
2801 SOUTH MIAMI BLVD.
DURHAM, NC 27703

O'Reilly AUTO PARTS
CORPORATE OFFICES
233 SOUTH PATTERSON
SPRINGFIELD, MISSOURI 65802
(417) 862-2674 TELEPHONE

DESIGNED BY: **JBR** CHECKED BY: **CRF**

DATE: **12/20/19**

REVISION:

PROJECT NUMBER:
19261-DC1

SHEET NUMBER
E1