

**NATIONAL ACCOUNT ROOFTOP UNIT SCHEDULE - 7.5 TON - GAS (3-PHASE) - BY O'REILLY**

**RTU - RESPONSIBILITIES**

- 1.) ALL CARRIER HVAC UNITS ARE OWNER SUPPLIED BY O'REILLY AUTOMOTIVE.
- 2.) MECHANICAL CONTRACTOR IS RESPONSIBLE FOR THE INSTALLATION OF ALL CARRIER HVAC UNITS.
- 3.) MECHANICAL CONTRACTOR IS RESPONSIBLE FOR THE FIRST YEAR LABOR WARRANTY ON ALL OWNER SUPPLIED EQUIPMENT.
- 4.) MECHANICAL CONTRACTORS WORKING ON O'REILLY PROJECTS MUST CALL "CARRIER CORPORATION'S NATIONAL ACCOUNTS" DEPARTMENT FOR CONFIRMATION OF ORDERS ONLY.
- 5.) MECHANICAL CONTRACTOR IS RESPONSIBLE FOR SCHEDULING, SHIPPING & RECEIVING OF ALL CARRIER UNITS FROM CARRIER NATIONAL ACCOUNTS. CONTACT CUSTOMER SERVICE REP. LISTED TO THE RIGHT.

**CALL THE CARRIER CUSTOMER SERVICE REP. BELOW FOR CONFIRMATION OF ORDERS. DO NOT CALL CARRIER FOR QUOTES!**

CARRIER CORPORATION, STRATEGIC ACCOUNTS, CARRIER PARKWAY, SYRACUSE, NEW YORK 13221  
 CUSTOMER SERVICE REPS: MARIA CAMPANELLO 315-432-3946, Maria.campanello@carrier.utc.com  
 ACCOUNT MANAGER: PAUL WITZ, paul.witz@carrier.utc.com

MARK	DESCRIPTION	MFR.	CATALOG NUMBER	HTG. MBH		THERM. EFF.	CLG. MBH		IEER	EER	SUPPLY FAN				Wt. (lbs.)	ACCESSORIES	REMARKS	REF. DTL.			
				STAGE 1 IN/OUT	STAGE 2 IN/OUT		STAGE 1 TOT./SENS.	STAGE 2 TOT./SENS.			CFM	O.A.	ESP	HP					MCA	MOCP	
RTU-1 RTU-2 RTU-3	WEATHERMASTER PACKAGED ROOFTOP UNIT 7.5-TON	CARRIER	48HRD08K2M5-6U1K0	120/98	80/50	180/148	82%	46.5/36	48.5/36	93/72	13.8	12.00	3000	0.6	1.50	41	50*	1172	SEE BELOW	▲▲▲▲ ▲▲▲▲	1/M2 2/M2

**ACCESSORIES - FACTORY SUPPLIED AND INSTALLED**

- STAINLESS STEEL GAS HEAT EXCHANGER (MEDIUM HEAT) (15 YR. WARRANTY).
- RETURN AIR SMOKE DETECTOR.
- MEDIUM STATIC BLOWER (2 SPEED).
- LOAD-BEARING MAIL GUARDS.
- LINE-POWERED CONVENIENCE OUTLET (FIELD POWERED), 15AMP, 120V, GROUND FAULT CIRCUIT INTERRUPTER (GFCI) TYPE.
- THRU-THE-BOTTOM-ELECTRIC & GAS SERVICES. (SEE ROOF TOP UNIT DETAILS)
- HIGH & LOW REFRIGERANT SAFETY SWITCHES.
- 2" RETURN AIR FILTERS.
- 2 SPEED FAN CONTROLLER (VFD)
- LOW LEAK DRY BULB ECONOMIZER X, W/BAROMETRIC RELIEF & 7220 HONEYWELL CONTROL. THIS ECONOMIZER & CONTROLLER IS LISTED BY THE ENERGY CODE AND IS EQUIPPED WITH FAULT DETECTION AND DIAGNOSTICS (FDD)
- CONDENSATE OVERFLOW SWITCH.
- FLUE DISCHARGE DEFLECTORS

**ACCESSORIES - FACTORY SUPPLIED & FIELD INSTALLED**

- CO2 - CO2 SENSOR, WALL MOUNT, #33ZCSPCO2LCD-01
- CO2/SPACE TEMPERATURE SENSOR WITH LCD DISPLAY & NO OVERRIDE.
- RTRS - REMOTE TEST/RESET STATION, CARRIER #SD-TRM4(CRSDTEST001400) FOR REMOTE TESTING/RESETTING OF DUCT SMOKE DETECTOR. SEE HVAC PLAN FOR MOUNTING LOCATIONS.
- HSA - ALARM/STROBE, CARRIER #6536-GS(CRSDHNSB001A00), AUDIBLE/VISUAL SIGNAL DEVICE FOR SIGNALING ALARM OF DUCT SMOKE DETECTOR. SEE HVAC PLAN FOR MOUNTING LOCATIONS.

**ACCESSORIES - FIELD SUPPLIED & FIELD INSTALLED**

- RC1 - ROOF CURB, (12" STANDARD, 14" IN EXTREME SNOW DRIFT AREA'S) ON NEW BUILDING, ROOF CURB IS BY BUILDING MANUFACTURER, ON EXISTING BUILDING, ROOF CURB IS BY GENERAL CONTRACTOR. WEIGHT OF ROOF CURB IS NOT INCLUDED IN THE WEIGHT ABOVE.

**ACCESSORIES - O'REILLY SUPPLIED & FIELD INSTALLED**

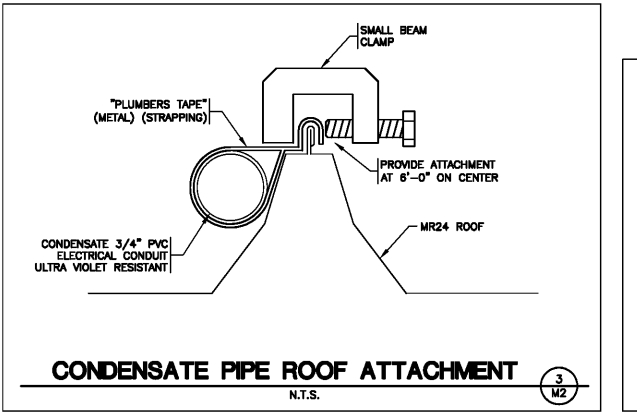
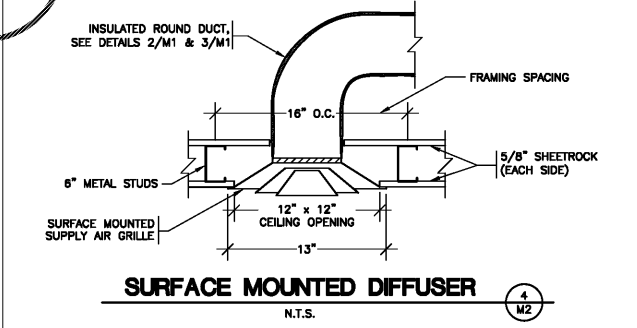
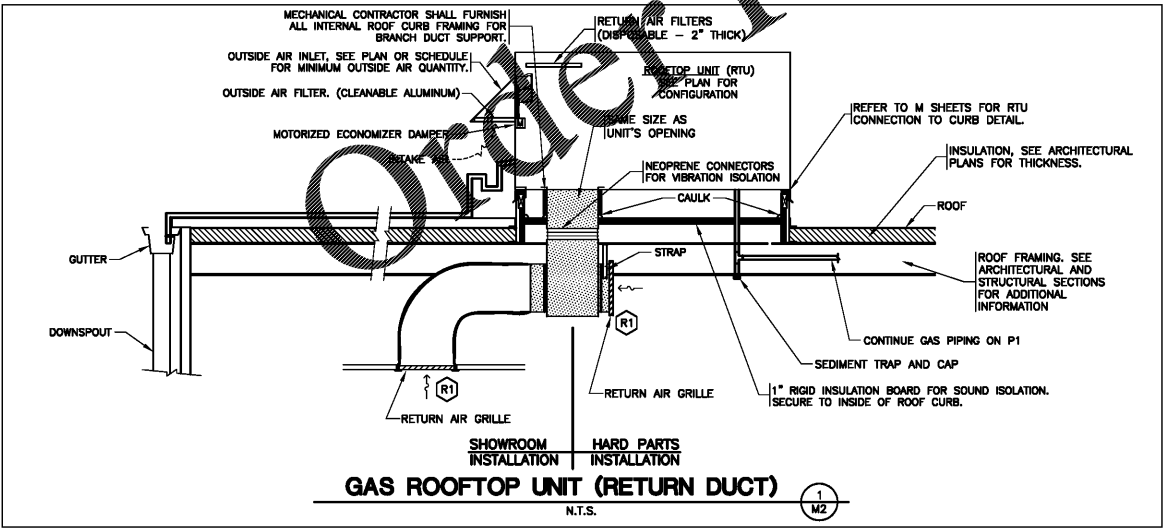
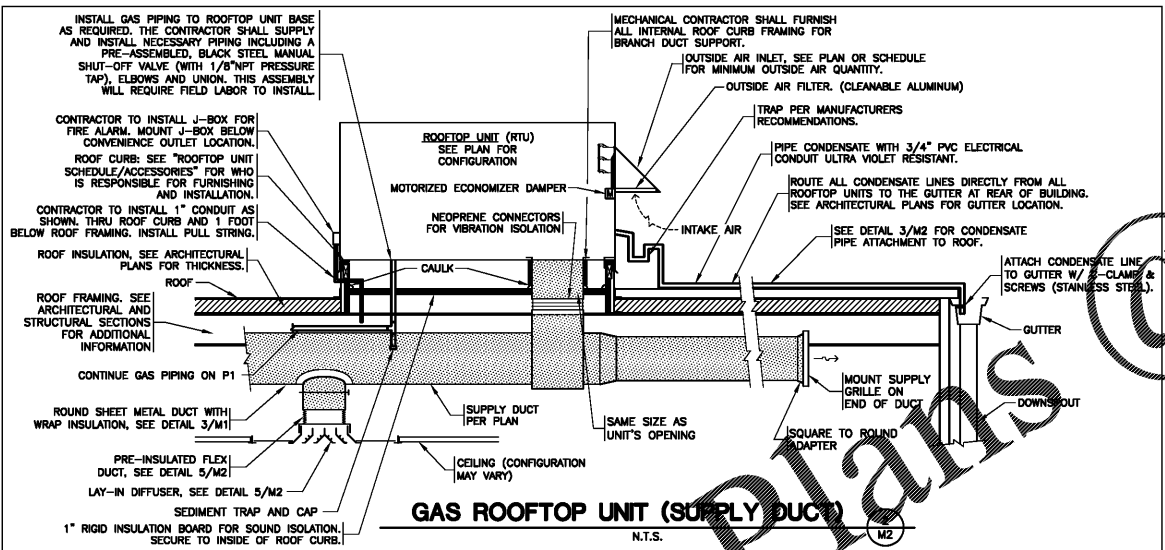
- TS1 - GRIDPOINT THERMOSTAT, (NO SUBSTITUTIONS), REFER TO EM SHEETS.
- DS - NON-FUSED DISCONNECT SWITCH, (GRAYBAR/O'REILLY) SUPPLIED W/ ELECTRICAL BILL OF MATERIALS.

**REMARKS**

- COOLING CAPACITY BASED ON 80°F EDB AND 67°F EWB.
- CAPACITY BASED ON 95°F AMBIENT TEMPERATURE.
- NOTE: HVAC COMPLETION, AT CONSTRUCTION COMPLETION:
  1. CONTRACTOR SHALL REPLACE ALL RETURN AIR FILTERS INSIDE ALL HVAC UNITS W/CLEAN NEW AIR FILTERS.
  2. CONTRACTOR SHALL SUPPLY AN ADDITIONAL CLEAN SET OF FILTERS TO THE OWNER AT JOB COMPLETION.
  3. CONTRACTOR SHALL SHOW THE STORE MANAGER THE LOCATION OF & INSTRUCT HIM/HER HOW TO CHANGE ALL AIR FILTERS.
- FACTORY EQUIPPED WITH STANDARD LOW AMBIENT COOLING TO 35°F ODB.

**REMARKS**

- OUTSIDE AIR, SEE PLAN FOR UNIT(S) REQUIRING OUTSIDE AIR.
- REFRIGERANT = R410A (PURON).
- THE MECHANICAL CONTRACTOR SHALL BE RESPONSIBLE FOR ALL WIRING AND CONNECTIONS REQUIRED BETWEEN THE SMOKE DETECTOR AND THE UNIT, AND SHALL PROVIDE SMOKE TESTING TO VERIFY PROPER OPERATION AND UNIT SHUT DOWN PRIOR TO OCCUPANCY.
- MAXIMUM CIRCUIT BREAKER OR TIME-DELAY FUSE.



**FAN SCHEDULE**

MARK	DESCRIPTION	MFR.	CATALOG NUMBER	CFM (NOM)	STATIC PRESS.	MOTOR H.P.	ELECTRICAL		ACCESSORIES	REMARKS	REF. DETAIL
							V/PH	MCA			
FE-1	INLINE EXHAUST FAN	COOK	GN-642	500	0.1	195W	120/1	-	BD,DS,WC	▲▲	-
FE-2	INLINE FAN	COOK	GN-642	500	0.1	195W	120/1	-	BD,DS,SS	▲	-

**ACCESSORIES**  
 BD - GRAVITY BACK DRAFT DAMPER  
 DS - DISCONNECT SWITCH  
 WC - WALL CAP, "COOK" #WCA-6, ALUMINUM  
 SS - FAN SPEED SWITCH "COOK" #FSC (OFFICE ONLY)

**REMARKS**  
 ▲ ADJUST FOR CFM REQUIRED.  
 ▲ EXHAUST FAN SHALL BE WIRED BY THE ELECTRICAL CONTRACTOR TO OPERATE WITH EITHER RESTROOM'S LIGHT SWITCH.  
 ▲ FAN IN OFFICE TO BE CONTROLLED BY FAN SPEED SWITCH.

**APPROVED ALTERNATE MANUFACTURER'S**  
 FANS: \*GREENHECK \*CARNES

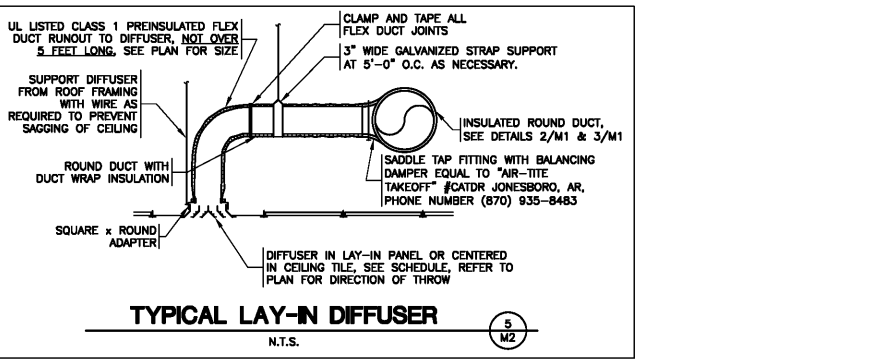
**GRILLE AND DIFFUSER SCHEDULE**

MARK	DESCRIPTION	MFR.	CATALOG NUMBER	SIZE (in.)	FINISH	MOUNTING	BRANCH DUCT SIZE	ACCESSORIES	REMARKS	REF. DETAIL
⑤1	SUPPLY DIFFUSER	ANEMOSTAT	E-1-D	12x12	WHITE	SURFACE	SEE PLAN	DT	▲	4/M2
⑤2	SUPPLY DIFFUSER	ANEMOSTAT	EPL	24x24	WHITE	DUCT/LAY-IN	SEE PLAN	-	▲	5/M2
⑤1	RETURN GRILLE	ANEMOSTAT	GC5	24x24	WHITE	LAY-IN/EXPOSED	SEE PLAN	-	▲	5/M2
⑤1	RETURN GRILLE	ANEMOSTAT	GC5	12x12	WHITE	SURFACE	SEE PLAN	-	▲	4/M2
⑤1	EXHAUST GRILLE	ANEMOSTAT	S3HS	12x12	WHITE	CEILING	SEE PLAN	OB	-	-

**ACCESSORIES**  
 OB - OPPOSED BLADE DAMPER.  
 DT - DIRECTIONAL TABS.

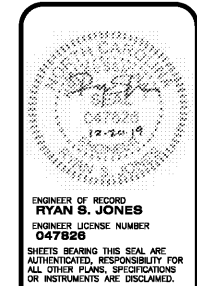
**REMARKS**  
 ▲ 1-WAY  
 ▲ 4-WAY  
 ▲ DIRECTIONAL TABS, ADJUST TO PROVIDE THROW AS INDICATED ON PLANS.

**APPROVED ALTERNATE MANUFACTURER'S**  
 GRILLES, DIFFUSERS & DAMPERS:  
 \*TITTLE & BAILEY \*NAILOR \*ARROW \*CARNES  
 \*PRICE INDUSTRIES \*TITUS \*KRUEGER



WWW.LDILine.com

Order Plans



**CJD**  
 Engineering | Energy | Innovation  
 2225 West Chesnut Blvd., Suite 200, Springfield, MO 65807  
 P: 417.877.1700 www.cjd-eng.com

**PROJECT:**  
 NEW O'REILLY AUTO PARTS STORE  
 2801 SOUTH MIAMI BLVD.  
 DURHAM, NC 27703

**HVAC SCHEDULES**

**O'Reilly AUTO PARTS**  
 CORPORATE OFFICES  
 233 SOUTH PATTERSON  
 SPRINGFIELD, MISSOURI 65802  
 (417) 862-2674 TELEPHONE

DRAWN BY: JBR CHECKED BY: CRF  
 DATE: 12/20/19  
 REVISION:  
 PROJECT NUMBER: 19261-DC1  
 SHEET NUMBER: M2