

EXTERIOR LIGHT FIXTURE SCHEDULE

ALL ITEMS LISTED ON THE "LIGHT FIXTURE SCHEDULE" WILL BE SUPPLIED BY THE OWNER (O'REILLY). ITEMS SHALL BE DIRECT ORDERED AND OR RELEASED FROM THE LISTED ELECTRICAL EQUIPMENT DISTRIBUTOR:

GRAYBAR ELECTRIC CO. INC.
11885 LACKLAND ROAD
ST. LOUIS, MO 63146

GRAYBAR O'REILLY TEAM
EMAIL: oreilly@graybar.com
TOLL FREE: (314) 573-2080

MARK	MFR.	CATALOG NUMBER	SUPPLY VOLTAGE	FINISH	MOUNTING		LAMPS		WATTAGE	NOTES	FIXTURE QUANTITY
					SURFACE WALL	SURF. CEILING	FLUORESCENT	LED			
WS1	LSI	XWM-FT-LED-06L-50-UE-BRZ NO SUBSTITUTIONS	120	DARK BRONZE	X		X		59	FULL CUT-OFF, BUG RATING B1-U0-G1. ARCHITECTURAL ELEVATIONS SHOW DIMENSIONED LOCATIONS.	4
P1	LSI	MRM-LED-18L-SL-FT-UNV-DM-50-80CR1-BRZ-IL	120	DARK BRONZE		X	X		154	25' POLE LENGTH, ADVANCE BALLASTS, FULL CUT-OFF, NO SUBSTITUTIONS. ANCHOR BOLTS W/HARDWARE & TEMPLATE, WITH INTERNAL LOUVER HOUSE SIDE SHIELD, BUG RATING B2-U0-G3	3

FIXTURE QUANTITY TO BE VERIFIED WITH SITE PLAN QUANTITY

AUTOMATIC LIGHTING CONTROL

COMPLIANCE WITH ENERGY CODE IS ACHIEVED BY:

- ONCE THE EMS HAS BEEN PROGRAMMED, THE INTERIOR AND EXTERIOR LIGHTS WILL TURN ON AND OFF USING THE FOLLOWING LOGIC: SEE EM SHEETS.
 - INTERIOR WORK LIGHTS WILL TURN ON WITH FIRST MOTION IN THE STORE AND WILL TURN OFF 15 MINUTES AFTER LAST MOTION ONCE THE STORE IS CLOSED.
 - INTERIOR SALES LIGHTS WILL TURN ON AT STORE OPENING AND TURN OFF 15 MINUTES AFTER STORE CLOSING.
 - EXTERIOR SIGN LIGHTS WILL TURN ON WHEN ITS DARK ENOUGH OUTSIDE ANYTIME DURING STORE HOURS, AND WILL TURN OFF AT STORE CLOSING.
 - EXTERIOR SITE LIGHTS WILL TURN ON WHEN IT IS DARK ENOUGH OUTSIDE AND IT IS WITHIN STORE HOURS OR THERE IS MOTION IN THE STORE. THEY WILL TURN OFF 30 MINUTES AFTER LAST MOTION ONCE THE STORE IS CLOSED.
- RESTROOMS AND OFFICES: ALL LIGHTING IN THESE AREAS ARE CONTROLLED BY OCCUPANT-SENSING DEVICES.

Statistics

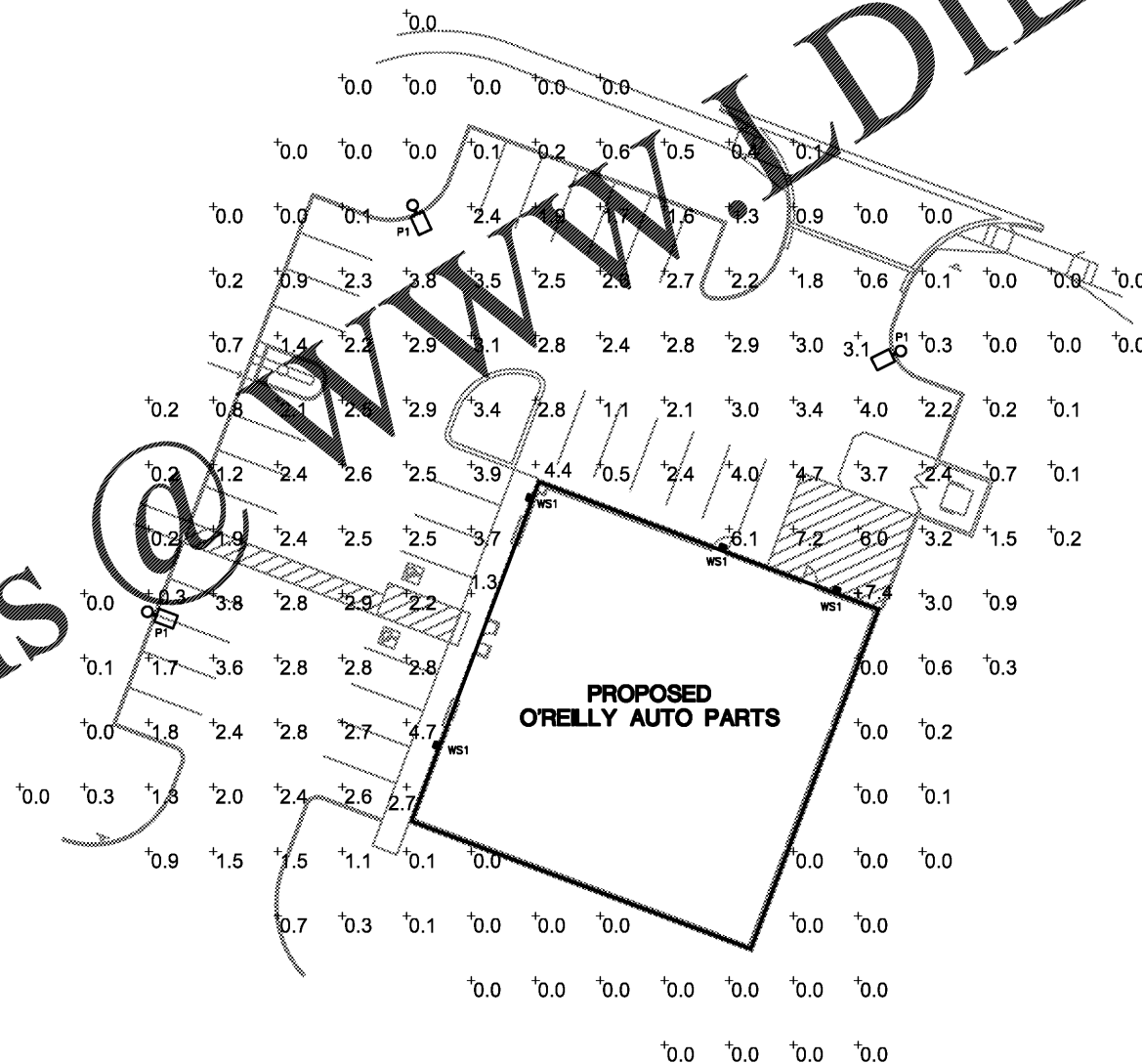
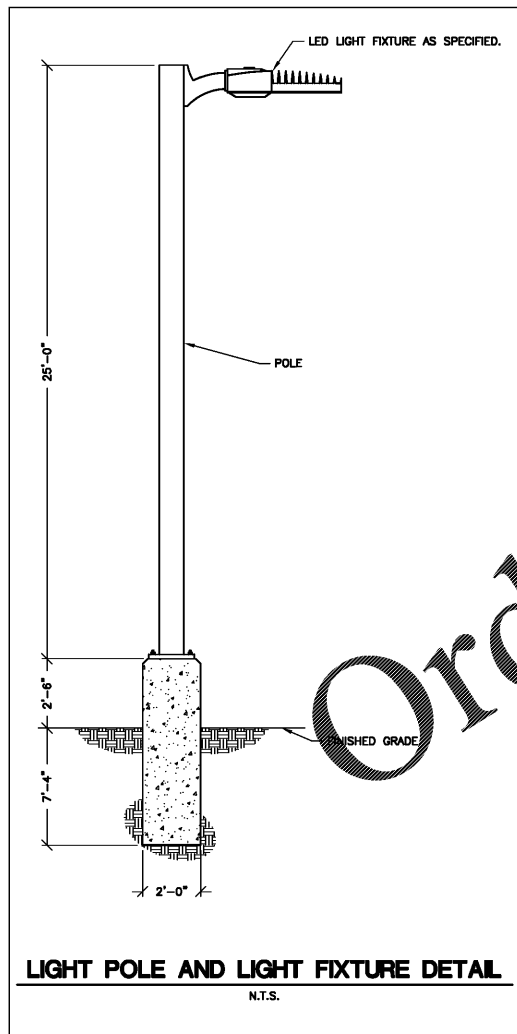
Description	Symbol	Avg	Max	Min	Max/Min	Avg/Min	Avg/Max
Parking	+	1.20 fc	7.40 fc	0.00 fc	N/A	N/A	N/A

BACKLIGHT-UPLIGHT-GLARE (BUG) RATING / FULL CUTOFF

ALL "LSI MRM" & "XWM" LED FIXTURES HAVE ZERO UPLIGHT AND ARE CONSIDERED FULL CUT OFF AND DARKSKY COMPLIANT. THE DELIVERED LUMEN CHART BELOW APPLIES TO "LSI XWM" FIXTURES AND CONFIRMS THAT IN EVERY CONFIGURATION THE FIXTURE PRODUCES ZERO UPLIGHT (U = 0). BUG RATING CHART FOR "LSI MRM" FIXTURES IS FOUND ON CORRESPONDING "SP" SHEETS.

DELIVERED LUMENS*

Luminaire Package	Bulb/Package	Qty	2700K			3000K			4000K			5000K			Wallplug
			Delivered Lumens	Efficiency	Beam Spread	Delivered Lumens	Efficiency	Beam Spread	Delivered Lumens	Efficiency	Beam Spread	Delivered Lumens	Efficiency	Beam Spread	
WS1	2700K	59	1200	100	120°	1200	100	120°	1200	100	120°	1200	100	120°	27.6
P1	2700K	154	1200	100	120°	1200	100	120°	1200	100	120°	1200	100	120°	29.5

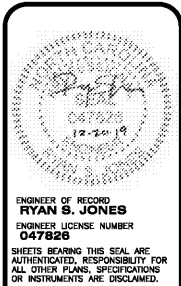


SITE LIGHTING PHOTOMETRICS

SCALE: 1"=20'



Order Plans @ WWW.DIline.com



CJD
Engineering | Energy | Innovation
2225 West Chesierfield Boulevard, Suite 200, Springfield, MO 65807
P: 417.877.1700 www.cjd-eng.com

PROJECT:
NEW O'REILLY AUTO PARTS STORE
2801 SOUTH MIAMI BLVD.
DURHAM, NC 27703
SITE LIGHTING PHOTOMETRICS

O'Reilly AUTO PARTS
CORPORATE OFFICES
233 SOUTH PATTERSON
SPRINGFIELD, MISSOURI 65802
(417) 862-2674 TELEPHONE

DRAWN BY: JBR CHECKED BY: CRF
DATE: 12/20/19
REVISION:
PROJECT NUMBER: 19261-DC1
SHEET NUMBER: **SP1**

© COPYRIGHT 2019 - DESIGNS, DRAWINGS AND SPECIFICATIONS ARE INSTRUMENTS OF SERVICE AND ARE THE PROPERTY OF THE DESIGN PROFESSIONAL. REPRODUCTION PROHIBITED WITHOUT THE EXPRESSED WRITTEN CONSENT OF THE DESIGN PROFESSIONAL.