

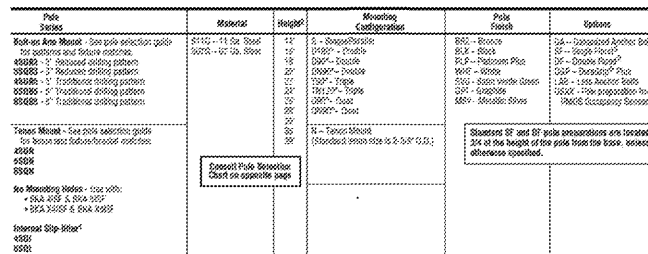
STEEL SQUARE POLES

Table with columns for Pole Size, 150 MPH, 175 MPH, 200 MPH, 225 MPH, 250 MPH, 275 MPH, 300 MPH, 325 MPH, and Allowance. It lists pole sizes from 4" to 24" and corresponding wind speed data.

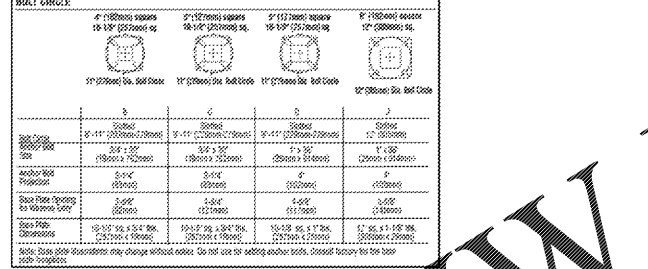
ASCE 7-10 Wind Speeds... Use ONLY with "Wind Speed Map for ASCE7-10"...

STEEL SQUARE POLES

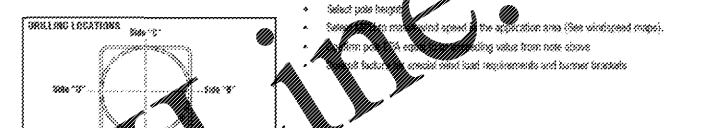
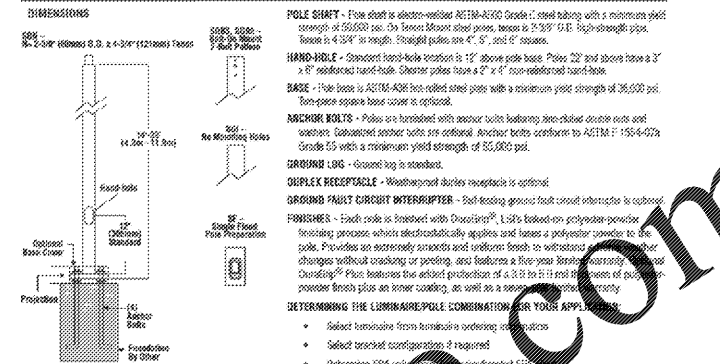
POLE ORDERING INFORMATION table with columns for Pole Size, Material, Height, Mounting Configuration, Pole Finish, and Options.



NECESSARY ORDERING INFORMATION... Pole Number... Description... Order Number... Pole Number... Description... Order Number...



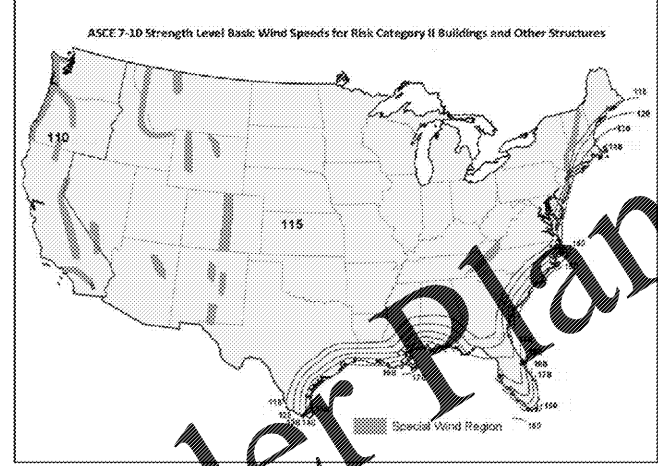
STEEL SQUARE POLES



Shipping Weights - Steel Square Poles table with columns for Pole Size, Weight per Foot, and Total Weight for various lengths.

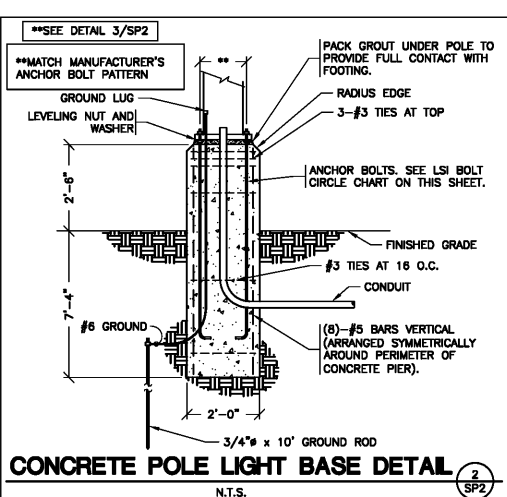
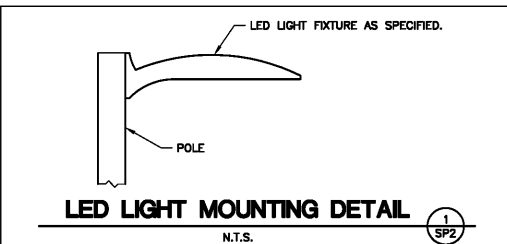
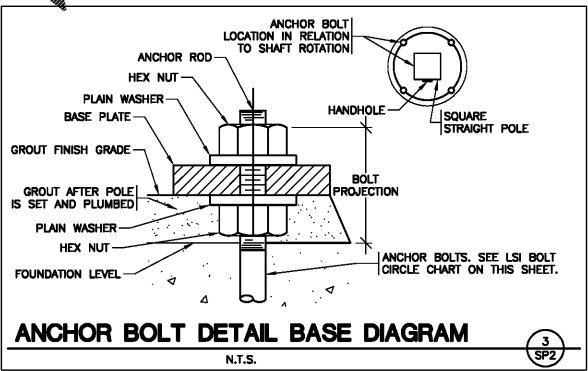
ARRA logo and a project information form with fields for Project Name, Revision, Date, Project Name, Flare Type, and Drawing #.

WINDSPEED MAP FOR ASCE7-10

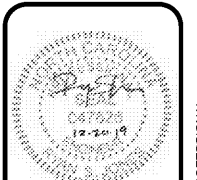


Wind Speed Map and Pole Design... Use ONLY with "Wind Speed Map for ASCE7-10"...

NOTES: 1. Pole height... 2. Pole spacing... 3. Foundation... 4. Local codes... 5. Local codes may require...



Project Name, Flare Type, Date, Drawing # form.



ENGINEER OF RECORD: RYAN S. JONES, ENGINEER LICENSE NUMBER 44769.

CJD Engineering | Energy | Innovation, 2225 West Chesfield Blvd., Suite 200, Springfield, MO 65807, P: 417.877.1700, www.cjd-eng.com

PROJECT: O'REILLY AUTO PARTS STORE, 2801 SOUTH MIAMI BLVD., DURHAM, NC 27703, SITE LIGHTING DETAILS

O'Reilly AUTO PARTS, CORPORATE OFFICES: 233 SOUTH PATTERSON, SPRINGFIELD, MISSOURI 65802, (417) 862-2674 TELEPHONE

DRAWN BY: JBR, CHECKED BY: CRF, DATE: 12/20/19, PROJECT NUMBER: 19261-DC1, SHEET NUMBER: SP2

REPRODUCTION PROHIBITED WITHOUT THE EXPRESSED WRITTEN CONSENT OF THE DESIGN PROFESSIONAL.