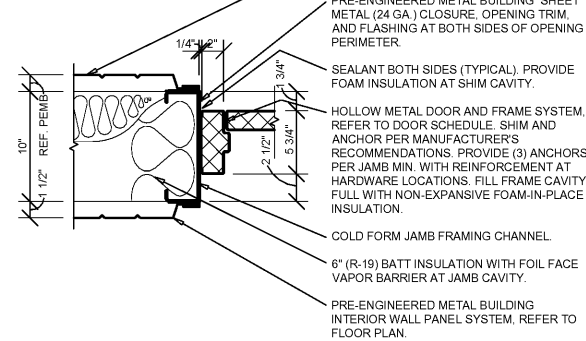


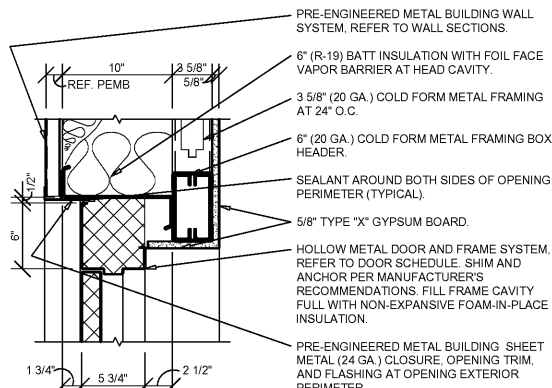
1 HEAD DETAIL

A5.1 SCALE: 1 1/2" = 1'-0"



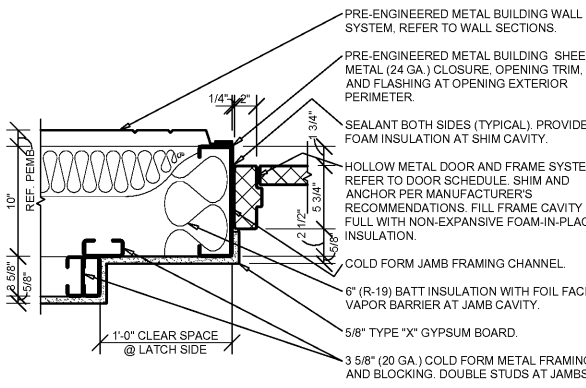
2 JAMB DETAIL

A5.1 SCALE: 1 1/2" = 1'-0"



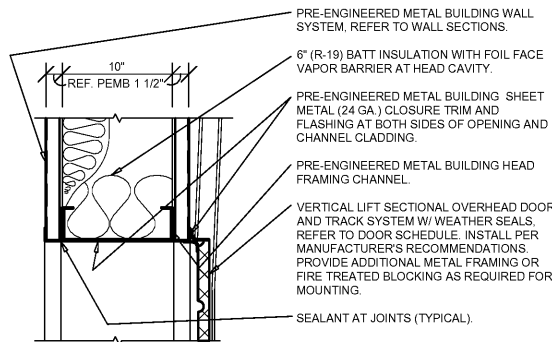
3 HEAD DETAIL

A5.1 SCALE: 1 1/2" = 1'-0"



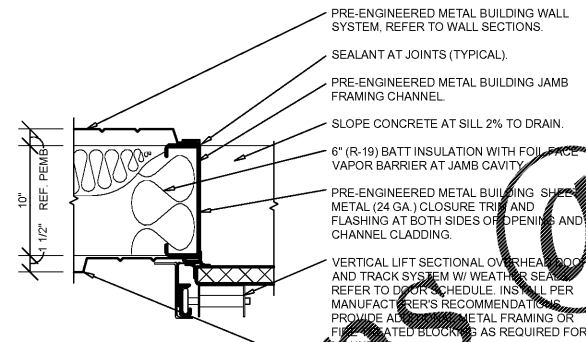
4 JAMB DETAIL

A5.1 SCALE: 1 1/2" = 1'-0"



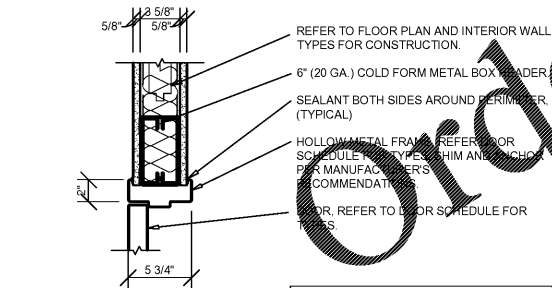
5 HEAD DETAIL

A5.1 SCALE: 1 1/2" = 1'-0"



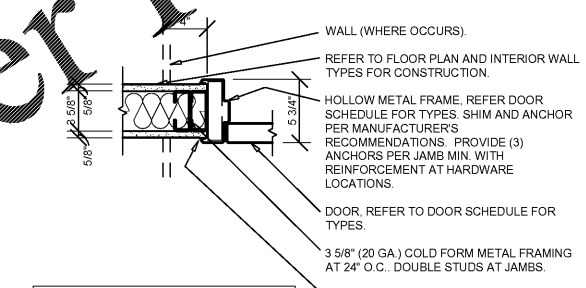
6 JAMB DETAIL

A5.1 SCALE: 1 1/2" = 1'-0"



7 HEAD DETAIL

A5.1 SCALE: 1 1/2" = 1'-0"



8 JAMB DETAIL

A5.1 SCALE: 1 1/2" = 1'-0"

DOOR SCHEDULE

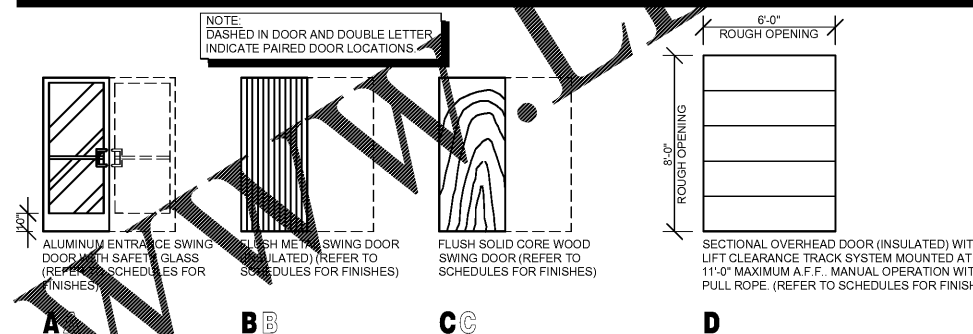
MK	DOOR			DOOR HARDWARE			FRAME			DETAILS			FIRE RATING	REMARKS (REFER NOTES)
	SIZE (W x H x D)	TYPE	SWING	MATERIAL	GLAZ. TYPE	SET #	KEYED	TYPE	MATERIAL	HEAD WIDTH	HEAD	JAMB		
1	3'-0" X 7'-0" X 1-3/4"	A	REFER TO FLOOR PLAN	ALUMINUM	1	1	A	1	ALUMINUM		4/A5.2	4/A5.2	5/A5.2	1, 2, 5
2	3'-0" X 7'-0" X 1-3/4"	B	REFER TO FLOOR PLAN	INSULATED METAL		2	A	2	INSULATED METAL		1/A5.1	2/A5.1	5/A5.2 SIM	1, 2, 3
3	6'-0" X 8'-0"	D	SECTIONAL OVERHEAD	INSULATED METAL		3			MANUFACTURER'S STANDARDS		5/A5.1	6/A5.1		1
4	3'-0" X 7'-0" X 1-3/4"	C	REFER TO FLOOR PLAN	SOLID WOOD		4		2	HOLLOW METAL		7/A5.1	8/A5.1		1, 4
5	3'-0" X 7'-0" X 1-3/4"	C	REFER TO FLOOR PLAN	SOLID WOOD		5		2	HOLLOW METAL		7/A5.1	8/A5.1		1, 4
6	3'-0" X 7'-0" X 1-3/4"	C	REFER TO FLOOR PLAN	SOLID WOOD		5		2	HOLLOW METAL		7/A5.1	8/A5.1		1, 4
7	3'-0" X 7'-0" X 1-3/4"	B	REFER TO FLOOR PLAN	INSULATED METAL		6		2	INSULATED METAL		3/A5.1	4/A5.1	5/A5.2 SIM	1, 3
8	3'-0" X 7'-0" X 1-3/4"	A	REFER TO FLOOR PLAN	ALUMINUM		2	7	1	ALUMINUM		4/A5.2	4/A5.2	5/A5.2 SIM	1

NOTES:
 1. ALL EXTERIOR DOORS TO BE KEYPED ALIKE. CONTRACTOR TO FIELD VERIFY AND MATCH CORE OF DOOR MARKED "Z".
 2. EXTERIOR DOOR, FRAME AND HARDWARE OWNER FURNISHED AND CONTRACTOR INSTALLED. REFER TO SCOPE OF WORK SCHEDULE.
 3. CONTRACTOR'S OPTION TO PURCHASE INTERIOR DOORS, FRAMES, AND HARDWARE THROUGH PREFERRED VENDOR. REFER TO SCOPE OF WORK SCHEDULE.
 4. PROVIDE SIGN POSTED ON EGRESS SIDE ADJACENT TO DOOR STATING "THIS DOOR TO REMAIN UNLOCKED WHEN THIS SPACE IS OCCUPIED". SIGN CONSTRUCTION TO BE NON-GLARE 1" HIGH WHITE LETTERING ON CONTRASTING BLUE BACKGROUND. LOCATION TO COMPLY WITH ANSI A117.1. MOUNT 48" MINIMUM ABOVE FINISH FLOOR TO BOTTOM OF LOWEST CHARACTER AND 60" MAXIMUM ABOVE FINISH FLOOR TO BOTTOM OF HIGHEST CHARACTER.
 LOCKNET
 100 COURCHELLE DRIVE
 NICHOLASVILLE, KY 40356
 CONTACT: PAM PEEL
 PHONE 800-887-4307 EXT 133
 FAX 859-881-5499
 EMAIL: construction@locknet.com

SPECIAL NOTE:
 UNLESS OTHERWISE INDICATED, KNOCK DOWN (KD) TYPE DOOR FRAMES ARE NOT PERMITTED.

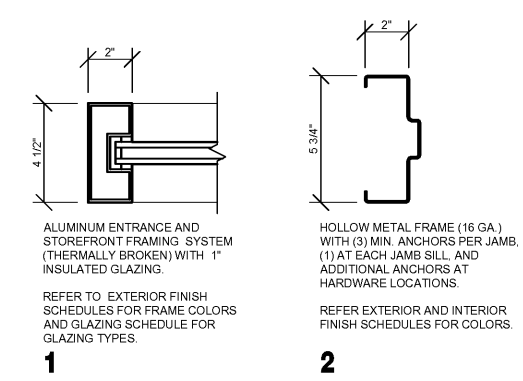
DOOR TYPES

(SCALE 1/4" = 1'-0")



FRAME TYPES

(SCALE 3" = 1'-0")



DOOR HARDWARE SCHEDULE

HARDWARE NOTES:
 1. ALL HARDWARE TO BE ADA AND ANSI COMPLIANT.
 2. VERIFY COMPATIBILITY OF HARDWARE SPECIFIED. NOTIFY ARCHITECT OF INCOMPATIBILITY ISSUES PRIOR TO ORDERING AND INSTALLATION.

SET NO. 1 (DR. 1)
 1 CYLINDER: 20-062 X 626 - "E" KEYWAY (REMOVABLE CORE)..... SCHLAGE

(FOLLOWING REQUIRED HARDWARE FURNISHED WITH WINDOW FRAMING DOOR SYSTEM)
 1 PAIR OFFSET PIVOTS: 195/188 X 626..... RIXON
 1 DEADLOCK: MS1850S X 626..... ADAMS RITE
 1 DEADLOCK LEVER (WITH "LOCKED" AND "OPEN" INDICATOR): 4550 X 626..... ADAMS RITE
 1 STRIKE: MS4002 X 626..... ADAMS RITE
 1 SET PUSH / OFFSET PULL: CO-12 X CP-11 X 626..... KAWNEER
 1 CLOSER: 404XP-3077-18TJ-TB X 689 (ADJ. TO 8.5 LBS.)..... LGN
 1 SET PERIMETER GASKETS: POLYMERIC BULB X LENGTH REQUIRED..... PEMKO
 1 SWEEP: 345AP X LENGTH REQUIRED..... PEMKO
 1 THRESHOLD: 270A X LENGTH REQUIRED (OFFSET NOT COMPLETABLE) (ANSI & ADA COMPLIANT)..... PEMKO

SET NO. 2 (DR. 2)
 1 CONTINUOUS HINGE: 780-18HD X 626 (LENGTH REQUIRED)..... HAGER
 1 CYLINDER: 20-050 - "E" KEYWAY (REMOVABLE CORE)..... SCHLAGE
 1 EXIT PANIC LOCK: 9300B X 689 (CORE KEY, (1) BITTED) (THROUGH SEX BOLT MOUNTING)..... DORMA
 1 CLOSER: 861DS-18TJ-FC X 811 X 689 (ADJ. TO 8.5 LBS.) (THROUGH SEX BOLT MOUNTING)..... DORMA
 1 SET PERIMETER GASKETS: 12002 X 1116 X LENGTH REQUIRED..... SCHLEGEL
 1 LATCH GUARD: LG100Z/SF X 663 (STRAIGHT W/ PIN AND SEX BOLTS)..... LATCHGUARD
 1 DOOR BOTTOM SWEEP: 31321 X 689 X LENGTH REQUIRED..... GLOBAL
 1 THRESHOLD: 31206 X 689 X LENGTH REQUIRED..... GLOBAL

SET NO. 3 (DR. 3)
 REQUIRED HARDWARE FURNISHED WITH OVERHEAD DOOR SYSTEM (LOCKING FROM INSIDE ONLY)
 1 HINGE: BB1279 X 4 1/2" X 4 1/2" X 626..... HAGER
 1 OFFICE LOCK (LEVER HANDLE): AU5307LN X 626..... YALE
 1 WALL BUMPER: 409 X 626..... ROCKWOOD

SET NO. 4 (DR. 4)
 3 HINGES: BB1279 X 4 1/2" X 4 1/2" X 626..... HAGER
 1 OFFICE LOCK (LEVER HANDLE): AU5307LN X 626..... YALE
 1 WALL BUMPER: 409 X 626..... ROCKWOOD

SET NO. 5 (DR. 5, 6)
 3 HINGES: BB1279 X 4 1/2" X 4 1/2" X 626..... HAGER
 1 PRIVACY LOCK (LEVER HANDLE): AU5302LN X 626..... YALE
 1 WALL BUMPER: 409 X 626..... ROCKWOOD

SET NO. 6 (DR. 7)
 3 HINGES: ECBB1100 X 4 1/2" X 4 1/2" X 626 X NRP..... HAGER
 1 EXIT ONLY PANIC LOCK: 8300B X 486 X 689..... DORMA
 1 CLOSER: 5300M/T X FC X SX2 X 689 (ADJ. TO 8.5 LBS.) (THROUGH SEX BOLT MOUNTING)..... HAGER
 1 SET PERIMETER GASKETS: 12002 X 1116 X LENGTH REQUIRED..... SCHLEGEL
 1 LATCH GUARD: LG100Z/SF X 663 (STRAIGHT W/ PIN AND SEX BOLTS)..... LATCHGUARD
 1 DOOR BOTTOM SWEEP: 31321 X 689 X LENGTH REQUIRED..... GLOBAL
 1 THRESHOLD: 31206 X 689 X LENGTH REQUIRED..... GLOBAL

SET NO. 7 (DR. 8)
 (FOLLOWING REQUIRED HARDWARE FURNISHED WITH WINDOW FRAMING DOOR SYSTEM)
 1 PAIR OFFSET PIVOTS: 195/188 X 626..... RIXON
 1 SET PUSH / OFFSET PULL: CO-12 X CP-11 X 626..... KAWNEER
 1 CLOSER: 404XP-3077-18TJ-TB X 689 (ADJ. TO 8.5 LBS.)..... LGN
 1 SET PERIMETER GASKETS: POLYMERIC BULB X LENGTH REQUIRED..... PEMKO

GENERAL NOTES

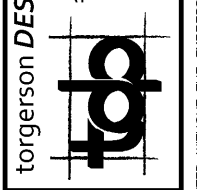
- A REFER TO PROJECT MANUAL FOR ADDITIONAL REQUIREMENTS.
- B REFER TO BUILDING CODE SUMMARY FOR PROJECT STRUCTURAL DESIGN CRITERIA. DOOR FRAMING AND ANCHORING SYSTEMS SHALL BE DESIGNED BY MANUFACTURER TO CONFORM TO PERFORMANCE AND TESTING REQUIREMENTS SPECIFIED.
- C REFER TO FLOOR PLAN, ELEVATIONS, AND SECTIONS FOR ADDITIONAL REQUIREMENTS.
- D REFER TO EXTERIOR AND INTERIOR FINISH SCHEDULES FOR COLORS. PERIMETER SEALANT COLOR TO MATCH FRAME COLOR UNLESS OTHERWISE INDICATED.



ARCHITECT OF RECORD
JOHN TORGERSON
 ARCHITECT LICENSE NUMBER
 13839

SHEETS BEARING THIS SEAL ARE AUTHENTICATED. RESPONSIBILITY FOR ALL OTHER PLANS, SPECIFICATIONS OR INSTRUMENTS ARE DISCLAIMED.

16 N. 2ND AVENUE
 OZARK, MO 65721
 P (417) 581-8889
 F (417) 581-9002



PROJECT:
NEW O'REILLY AUTO PARTS STORE
 2801 SOUTH MIAMI BLVD.
 DURHAM, NC 27703

DOOR SCHEDULE

O'Reilly AUTO PARTS

CORPORATE OFFICES
 833 SOUTH PATTERSON
 SPRINGFIELD, MISSOURI 65802
 (417) 882-2674 TELEPHONE

DRAWN BY: SM
 CHECKED BY: KR
 DATE: 12/20/19
 REVISION:
 PROJECT NUMBER: 19261-DC1
 SHEET NUMBER: A5.1

A5.1