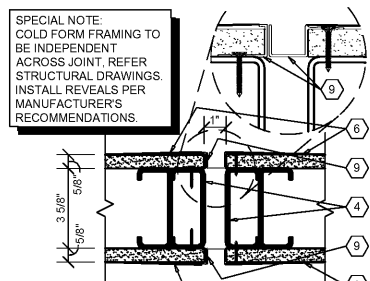
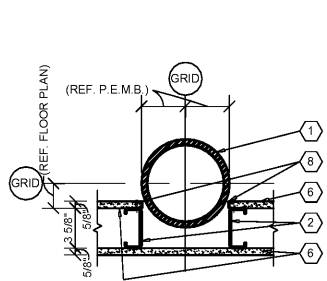


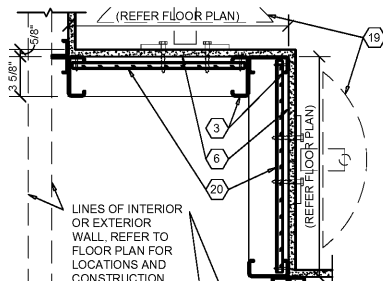
1 COLUMN DETAIL
A4.2 SCALE: 3/4" = 1'-0"



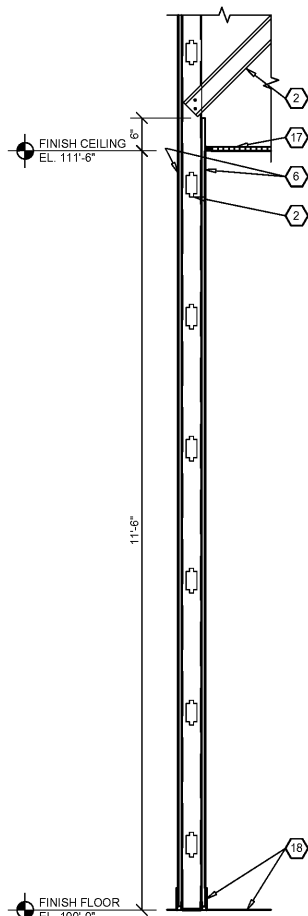
2 GYPSUM BOARD JOINT DETAIL
A4.2 SCALE: 3" = 1'-0"



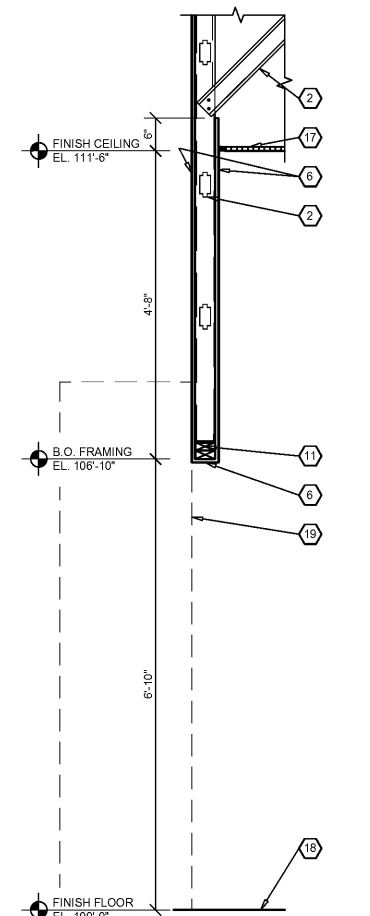
3 COLUMN DETAIL
A4.2 SCALE: 1 1/2" = 1'-0"



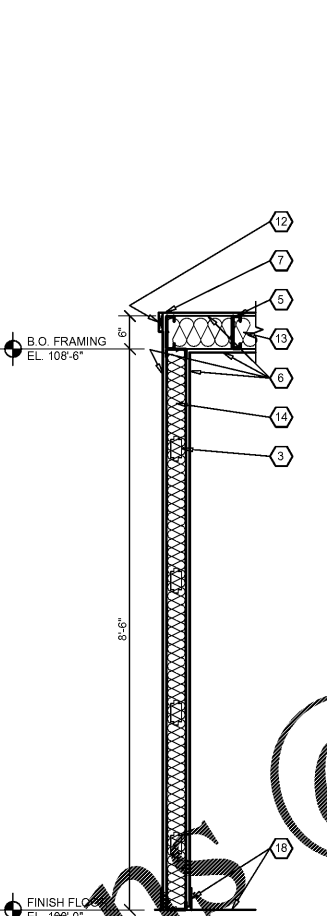
4 FRAMING DETAIL
A4.2 SCALE: 1 1/2" = 1'-0"



5 INTERIOR WALL SECTION
A4.2 SCALE: 3/4" = 1'-0"



6 INTERIOR WALL SECTION
A4.2 SCALE: 3/4" = 1'-0"



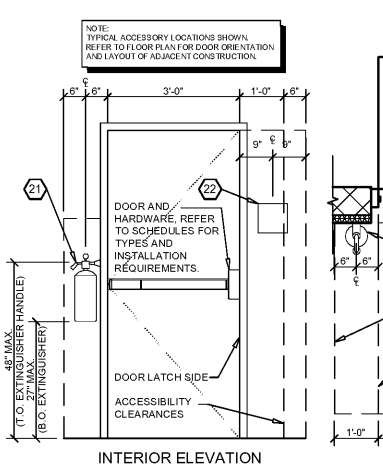
7 INTERIOR WALL SECTION
A4.2 SCALE: 3/4" = 1'-0"

8 (NOT USED)
A4.2 SCALE: NOT TO SCALE

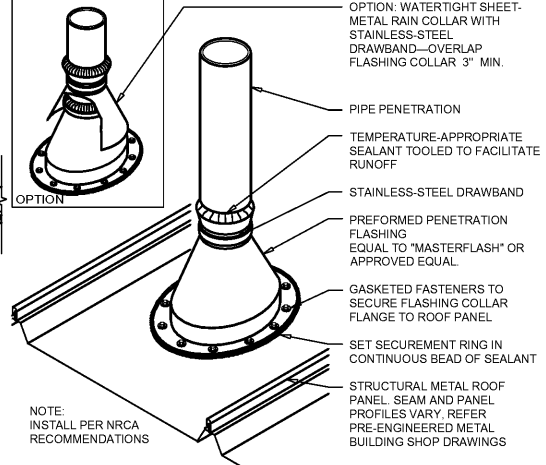
SPECIAL NOTE:
REFER TO SHEET G1.1 FOR PROJECT'S
DEFINED SEISMIC DESIGN CATEGORY
TO DETERMINE INSTALLATION
REQUIREMENTS.

9 SUSPENDED CEILING SEISMIC BRACING
A4.2 NOT TO SCALE

GENERAL INSTALLATION REQUIREMENTS
(REFER ALSO TO PROJECT MANUAL).
SEISMIC DESIGN CATEGORIES "A" AND "B".
CONFORM TO ASTM C636.



10 FIRE EXTINGUISHER DETAIL
A4.2 SCALE: 1/2" = 1'-0"



11 VENT THRU ROOF DETAIL
A4.2 NOT TO SCALE

GENERAL NOTES

- (A) REFER TO PROJECT MANUAL FOR ADDITIONAL REQUIREMENTS.
- (B) DIMENSIONS ARE TO ROUGH FACE OF CONCRETE, MASONRY, FRAMING, OR CENTER LINE OF STRUCTURE UNLESS OTHERWISE INDICATED.
- (C) REFER TO INTERIOR FINISH SCHEDULES FOR MATERIAL TYPES, COLORS AND FINISHES.

KEY NOTES

- (1) PRE-ENGINEERED METAL BUILDING STRUCTURAL STEEL COLUMN. REFER TO P.E.M.B. SHOP DRAWINGS FOR ADDITIONAL REQUIREMENTS. (WHERE INDICATED).
- (2) 3 5/8" COLD FORM METAL FRAMING ATTACHED TO ROOF STRUCTURE. REFER TO STRUCTURAL DRAWINGS FOR FRAMING REQUIREMENTS.
- (3) 5/8" (24 GA) COLD FORM METAL FRAMING AT 24" O.C. REFER TO INTERIOR WALL TYPES FOR ADDITIONAL REQUIREMENTS.
- (4) 3 5/8" COLD FORM METAL STUDS DOUBLED AT CONTROL JOINT.
- (5) 1" (600S162-54) COLD FORM METAL CEILING JOIST FRAMING AT 24" O.C..
- (6) 5/8" TYPE "X" GYPSUM BOARD. REFER TO INTERIOR WALL TYPES AND FOR ADDITIONAL REQUIREMENTS.
- (7) GYPSUM BOARD CORNER BEAD CONTINUOUS.
- (8) GYPSUM BOARD "J" MOLDING CONTINUOUS.
- (9) GYPSUM BOARD CONTIGUOUS EXPANSION JOINT. PROVIDE FRY REGLET "DRMF-625-75" AND "JDM-625" AT JOINT ON BOTH SIDES OF WALL AND BOTTOM.
- (10) FIRE TREATED 2X NAILERS OR BLOCKING.
- (11) (2) FIRE TREATED 2X NAILERS.
- (12) 1X4 WOOD TRIM (PAINT GRADE PINE) ATTACHED TO METAL STUD FRAMING WITH TECH 12 SCREWS AT 24" O.C. SET FLUSH. PAINT EXPOSED SURFACES TO MATCH WALL FINISH.
- (13) 6" UNFACED SOUND BATT INSULATION.
- (14) 3 1/2" UNFACED SOUND BATT INSULATION.
- (15) ALUMINUM WINDOW SYSTEM. REFER TO FLOOR PLAN AND WINDOW SCHEDULE FOR TYPES.
- (16) PRE-FINISHED SHEET METAL (24 GA.) COLUMN ENCLOSURE TO EXTEND THRU FINISH CEILING SYSTEM. COLOR TO MATCH WINDOW FRAMING FINISH. NO EXPOSED HORIZONTAL SEAMS PERMITTED.
- (17) SUSPENDED ACOUSTICAL CEILING SYSTEM. REFER TO INTERIOR FINISH SCHEDULE FOR TYPES AND LOCATIONS.
- (18) FINISH FLOORING AND BASE. REFER TO INTERIOR FINISH SCHEDULE FOR TYPES AND LOCATIONS.
- (19) OWNER FURNISHED AND INSTALLED FIXTURE. REFER TO INTERIOR FINISH PLAN FOR LAYOUT. (REFER TO SCOPE OF WORK SCHEDULE.)
- (20) 5/8" FIRE TREATED PLYWOOD BACKING TO BACK SIDE OF STUD INTERIOR FLANGE ON EACH EXPOSED WALL FACE FROM 8'-0" TO 10'-0" A.F.F. FOR INSTALLATION OF SECURITY MIRRORS (OWNER FURNISHED AND INSTALLED).
- (21) SURFACE MOUNTED PORTABLE FIRE EXTINGUISHER. FIRE EXTINGUISHERS SHALL BE UL LISTED ABC TYPE WITH 10 LBS. CAPACITY. SURFACE MOUNTING BRACKET QUICK RELEASE TYPE. REFER TO FLOOR PLAN FOR LOCATIONS. PROVIDE BLOCKING AS REQUIRED FOR MOUNTING.
- (22) TACTILE EXIT SIGN AT EXIT DISCHARGE DOOR STATING "EXIT" WITH BRAILLE (GRADE 2 CONTRACTED) LETTERING. SIGN CONSTRUCTION AND LOCATION TO COMPLY WITH ACCESSIBILITY CODE. MOUNT 48" MINIMUM ABOVE FINISH FLOOR TO BOTTOM OF LOWEST TACTILE CHARACTER AND 60" MAXIMUM ABOVE FINISH FLOOR TO BOTTOM OF HIGHEST TACTILE CHARACTER. REFER TO FLOOR PLAN FOR ADDITIONAL REQUIREMENTS.

Order Plans @ WWW.LDILine.com



ARCHITECT OF RECORD
JOHN TORGERSON
ARCHITECT LICENSE NUMBER
13895
SHEETS BEARING THIS SEAL ARE
AUTHENTICATED. RESPONSIBILITY FOR
ALL OTHER PLANS, SPECIFICATIONS
OR INSTRUMENTS ARE DISCLAIMED.

torgerson DESIGN partners
116 N. 2ND AVENUE
OZARK, MO 65721
P (417) 581-8889
F (417) 581-9002



PROJECT:
NEW O'REILLY AUTO PARTS STORE
2801 SOUTH MIAMI BLVD.
DURHAM, NC 27703
INTERIOR SECTIONS & DETAILS

O'Reilly AUTO PARTS
CORPORATE OFFICES
833 SOUTH PATTERSON
SPRINGFIELD, MISSOURI 65802
(417) 882-2674 TELEPHONE

DRAWN BY: SM
CHECKED BY: KR
DATE: 12/20/19
REVISION:
PROJECT NUMBER: 19261-DC1
SHEET NUMBER

A4.2

© COPYRIGHT 2016 - DESIGNS, DRAWINGS AND SPECIFICATIONS ARE INSTRUMENTS OF SERVICE AND ARE THE PROPERTY OF THE DESIGN PROFESSIONAL. REPRODUCTION PROHIBITED WITHOUT THE EXPRESSED WRITTEN CONSENT OF THE DESIGN PROFESSIONAL.