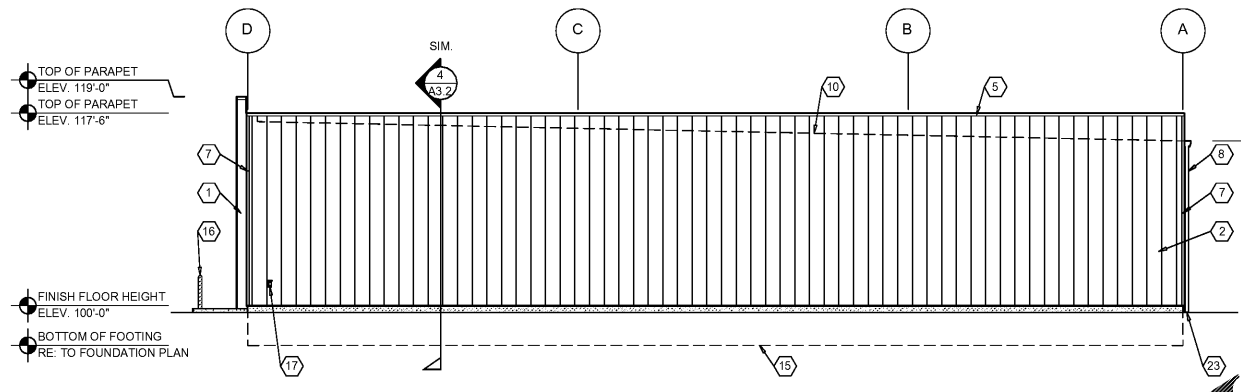


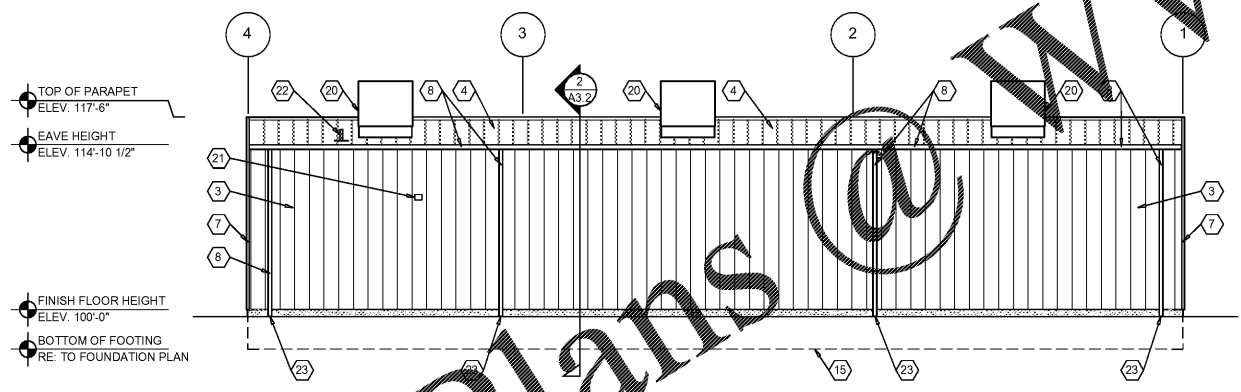
1 FRONT EXTERIOR ELEVATION

A2.1 SCALE: 1/8" = 1'-0"



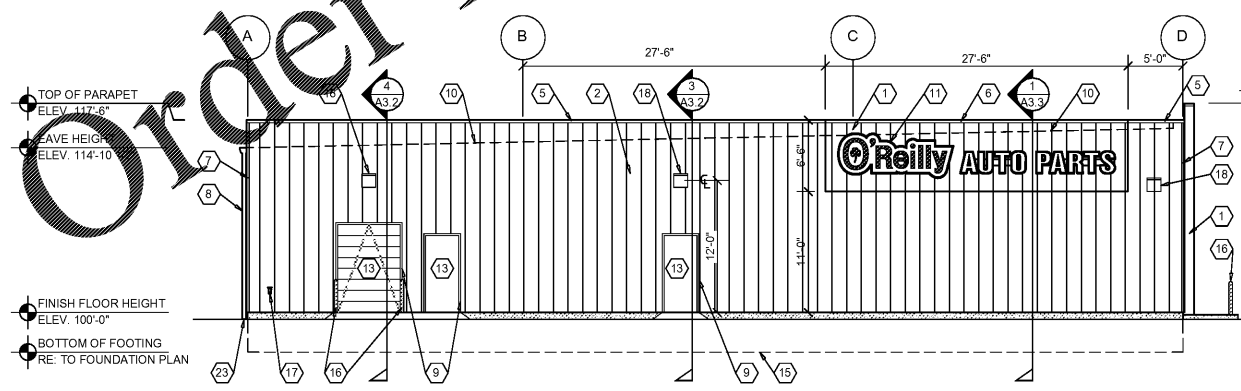
2 RIGHT EXTERIOR ELEVATION

A2.1 SCALE: 1/8" = 1'-0"



3 REAR EXTERIOR ELEVATION

A2.1 SCALE: 1/8" = 1'-0"



4 LEFT EXTERIOR ELEVATION

A2.1 SCALE: 1/8" = 1'-0"

EXTERIOR FINISH SCHEDULE

PRE-ENGINEERED METAL BUILDING WALL PANEL SYSTEMS

KEY NOTE NO. 1:
 TYPE: EXTERIOR WALL PANEL (TYPE 1)
 MFG. (REFER TO PRE-ENGINEERED METAL BUILDING SHOP DRAWINGS)
 SERIES: EQUAL TO BUTLER BUILDING "STYLWALL" OR CHIEF "STRUKTURROCK"
 FINISH: PREFINISHED
 COLOR: EQUAL TO SHERWIN WILLIAMS "POSITIVE RED" SW6871 GLOSS

KEY NOTE NO. 2:
 TYPE: EXTERIOR WALL PANEL (TYPE 2)
 MFG. (REFER TO PRE-ENGINEERED METAL BUILDING SHOP DRAWINGS)
 SERIES: EQUAL TO BUTLER BUILDING "STYLWALL" OR CHIEF "STRUKTURROCK"
 FINISH: PREFINISHED
 COLOR: EQUAL TO BUTLER BUILDING "COOL BIRCH WHITE"

KEY NOTE NO. 3:
 TYPE: EXTERIOR WALL PANEL (TYPE 3)
 MFG. (REFER TO PRE-ENGINEERED METAL BUILDING SHOP DRAWINGS)
 SERIES: EQUAL TO BUTLER BUILDING "SHADOWALL" OR CHIEF "CS WALL PANEL"
 FINISH: PREFINISHED
 COLOR: EQUAL TO BUTLER BUILDING "COOL BIRCH WHITE"

FLASHING AND SHEET METAL
KEY NOTE NO. 4:
 TYPE: STANDING SEAM ROOFING SYSTEM
 MFG. (REFER TO PRE-ENGINEERED METAL BUILDING SHOP DRAWINGS)
 COLOR: GALVALUME

KEY NOTE NO. 5:
 TYPE: CAP FLASHING AT WALL PANELS (TYPE 2 AND TYPE 3)
 MFG. (REFER TO PRE-ENGINEERED METAL BUILDING SHOP DRAWINGS)
 FINISH: PREFINISHED
 COLOR: EQUAL TO BUTLER BUILDING "COOL BIRCH WHITE"

KEY NOTE NO. 6:
 TYPE: CAP FLASHING AT WALL PANELS (TYPE 1)
 MFG. (REFER TO PRE-ENGINEERED METAL BUILDING SHOP DRAWINGS)
 FINISH: PREFINISHED
 COLOR: SHERWIN WILLIAMS "POSITIVE RED" SW6871 (SHER-CRYL) GLOSS WITH SHERWIN WILLIAMS THREE COMPONENT (B65T105 / B65V105 / B65C105) CLEAR URETHANE

KEY NOTE NO. 7:
 TYPE: WALL PANEL TRIM
 MFG. (REFER TO PRE-ENGINEERED METAL BUILDING SHOP DRAWINGS)
 FINISH: PREFINISHED
 COLOR: EQUAL TO BUTLER BUILDING "COOL BIRCH WHITE"

KEY NOTE NO. 8:
 TYPE: GUTTER AND DOWNSPOUTS
 MFG. (REFER TO PRE-ENGINEERED METAL BUILDING SHOP DRAWINGS)
 FINISH: PREFINISHED
 COLOR: EQUAL TO BUTLER BUILDING "COOL BIRCH WHITE"

KEY NOTE NO. 9:
 TYPE: DOOR TRIM
 MFG. (REFER TO PRE-ENGINEERED METAL BUILDING SHOP DRAWINGS)
 FINISH: PREFINISHED
 COLOR: EQUAL TO BUTLER BUILDING "COOL BIRCH WHITE"

DOORS AND WINDOWS
KEY NOTE NO. 13:
 TYPE: STEEL DOORS AND FRAMES (DOORS NO. 2 AND 7)
 MFG. (OWNER FURNISHED / CONTRACTOR INSTALLED)
 FINISH: FACTORY PRIMED AND FIELD PAINTED
 COLOR: SHERWIN WILLIAMS (MATCH ADJACENT PANEL COLOR) (SEMI-GLOSS)

KEY NOTE NO. 13:
 TYPE: SECTIONAL OVERHEAD DOOR (DOOR NO. 3)
 MFG. (REFER PROJECT MANUAL)
 FINISH: FACTORY PRIMED AND FIELD PAINTED
 COLOR: SHERWIN WILLIAMS (MATCH ADJACENT PANEL COLOR) (SEMI-GLOSS)

KEY NOTE NO. 14:
 TYPE: (REFER TO WINDOW SCHEDULE)
 MFG: EFCO, KAWNEER, OR OLD CASTLE (VISTA WALL) (NO SUBSTITUTES)
 FINISH: PREFINISHED
 COLOR: EFCO "IVY", KAWNEER "DARK IVY", VISTA WALL "INTERSTATE GREEN"

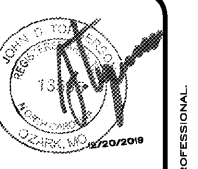
PAINTING
KEY NOTE NO. 16:
 TYPE: STEEL BOLLARDS (REFER TO CIVIL DRAWINGS)
 FINISH: FIELD PRIMED AND PAINTED
 COLOR: SHERWIN WILLIAMS "HUNT CLUB" SW6468 (SEMI-GLOSS)

GENERAL NOTES

- A REFER TO PROJECT MANUAL FOR ADDITIONAL REQUIREMENTS.
- B REFER TO CIVIL DRAWINGS FOR ADDITIONAL REQUIREMENTS.
- C REFER TO PLUMBING, MECHANICAL, AND ELECTRICAL DRAWINGS FOR SYSTEM TYPES AND ADDITIONAL REQUIREMENTS.
- D REFER TO EXTERIOR FINISH SCHEDULE FOR MATERIAL TYPES.
- E REFER TO PRE-ENGINEERED METAL BUILDING SHOP DRAWINGS FOR ADDITIONAL REQUIREMENTS.
- F REFER TO SCOPE OF WORK SCHEDULE FOR ADDITIONAL REQUIREMENTS.

KEY NOTES

- 1 PRE-ENGINEERED METAL BUILDING EXTERIOR WALL PANEL SYSTEM (TYPE 1).
- 2 PRE-ENGINEERED METAL BUILDING EXTERIOR WALL PANEL SYSTEM (TYPE 2).
- 3 PRE-ENGINEERED METAL BUILDING EXTERIOR WALL PANEL SYSTEM (TYPE 3).
- 4 PRE-ENGINEERED METAL BUILDING SHEET METAL ROOFING SYSTEM.
- 5 PRE-ENGINEERED METAL BUILDING SHEET METAL FLASHING WITH 3" VERTICAL FACE. (AT TYPE 2 AND TYPE 3 WALL PANELS).
- 6 PRE-ENGINEERED METAL BUILDING SHEET METAL FLASHING WITH 3" VERTICAL FACE (AT TYPE 1 WALL PANELS).
- 7 PRE-ENGINEERED METAL BUILDING SHEET METAL WALL PANEL TRIM.
- 8 PRE-ENGINEERED METAL BUILDING SHEET METAL GUTTER AND DOWNSPOUT SYSTEM.
- 9 PRE-ENGINEERED METAL BUILDING SHEET METAL DOOR TRIM.
- 10 LINE OF ROOF BEYOND WITH 1/4":12" SLOPE MINIMUM.
- 11 SURFACE MOUNTED SIGN OWNER FURNISHED AND INSTALLED. PROVIDE BACKING FOR MOUNTING AND ROUGH-IN ELECTRICAL COORDINATE REQUIREMENTS WITH OWNER. REFER TO SHEET SG2.1.
- 12 BUILDING ADDRESS NUMBERS IN 6" HIGH HELVETICA WHITE VINYL ADHERED TO EXTERIOR FACE OF GLAZING.
- 13 EXTERIOR DOOR AND FRAME SYSTEM. REFER TO FLOOR PLAN AND DOOR SCHEDULE FOR TYPES.
- 14 EXTERIOR WINDOW SYSTEM. REFER TO FLOOR PLAN AND WINDOW SCHEDULE FOR TYPES.
- 15 APPROXIMATE LINE OF FOUNDATION. REFER TO STRUCTURAL DRAWINGS.
- 16 STEEL BOLLARDS. REFER TO CIVIL AND STRUCTURAL DRAWINGS.
- 17 HOSE BIB. REFER TO PLUMBING DRAWINGS.
- 18 LIGHT FIXTURE. REFER TO ELECTRICAL DRAWINGS.
- 19 (NOT USED).
- 20 MECHANICAL ROOF TOP UNIT. REFER TO MECHANICAL DRAWINGS.
- 21 MECHANICAL WALL PENETRATIONS. REFER TO MECHANICAL DRAWINGS. PROVIDE FRAMING, FLASHING, AND SEALANT AS REQUIRED. INSTALL RESTROOM EXHAUST FANS 12" MINIMUM ABOVE INTERIOR CEILING FRAMING.
- 22 PLUMBING ROOF VENT. REFER TO PLUMBING DRAWINGS AND DETAIL 11/A4.2.
- 23 DOWNSPOUT TO TIE INTO STORM DRAIN PER CIVIL.



ARCHITECT OF RECORD
JOHN TORGERSON
 ARCHITECT LICENSE NUMBER
 13895

SHEETS BEARING THIS SEAL ARE AUTHENTICATED. RESPONSIBILITY FOR ALL OTHER PLANS, SPECIFICATIONS OR INSTRUMENTS ARE DISCLAIMED.

ARCHITECTURE DESIGN PARTNERS
 116 N. 2ND AVENUE
 OZARK, MO 65721
 P (417) 581-8889
 F (417) 581-9002

PROJECT:
NEW O'REILLY AUTO PARTS STORE
 2801 SOUTH MIAMI BLVD.
 DURHAM, NC 27703

O'Reilly AUTO PARTS
 CORPORATE OFFICES
 833 SOUTH PATTERSON
 SPRINGFIELD, MISSOURI 65802
 (417) 882-2674 TELEPHONE

DRAWN BY: **SM** CHECKED BY: **KR**
 DATE: **12/20/19**
 REVISION:
 PROJECT NUMBER: **19261-DC1**
 SHEET NUMBER

A2.1

Order Plans @ WWW.LDWORLDLINE.COM

© COPYRIGHT 2016 - DESIGNS, DRAWINGS AND SPECIFICATIONS ARE INSTRUMENTS OF SERVICE AND ARE THE PROPERTY OF THE DESIGN PROFESSIONAL. REPRODUCTION PROHIBITED WITHOUT THE EXPRESSED WRITTEN CONSENT OF THE DESIGN PROFESSIONAL.