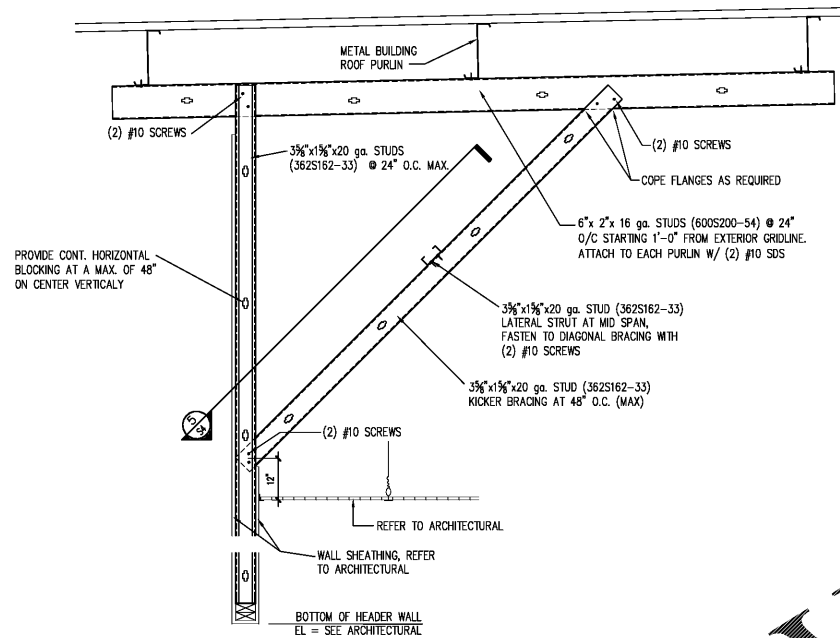


PROVIDE 16ga COLD-FORMED STEEL (CFS) FRAMING AT ENTRY LOCATION. WHERE APPLICABLE ALIGN FRAMING MEMBERS WITH METAL STUDS OVER STOREFRONT (SPACING NOT TO EXCEED 24" O.C.) ALL CFS-TO-CFS CONNECTIONS TO BE A MINIMUM OF (3) #8 SDS. REFER TO ARCHITECTURAL SECTIONS FOR FRAMING PROFILES AND MEMBER DEPTHS.

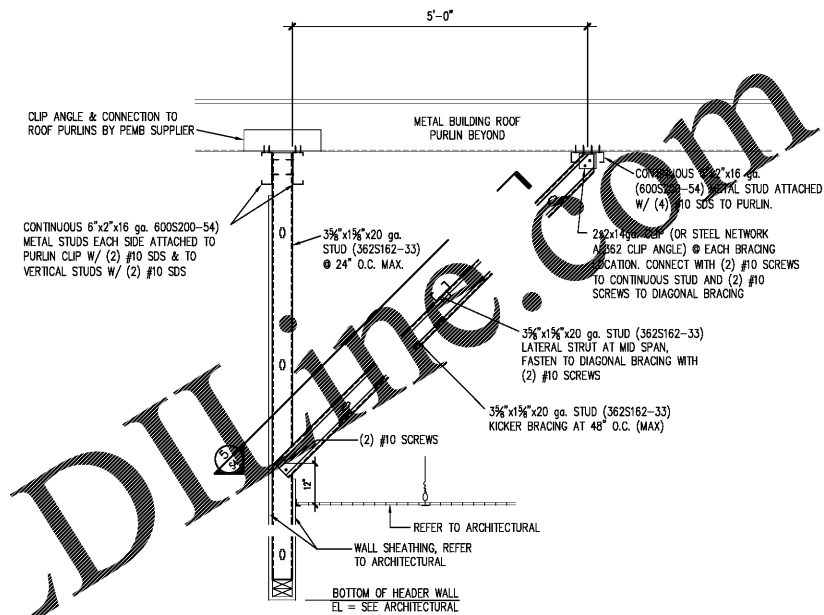
STRUCTURAL PLAN

SCALE: NONE



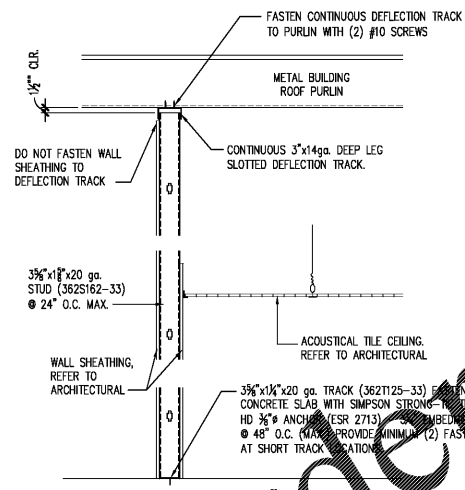
1 SECTION

S4 SCALE: 3/4" = 1'-0"



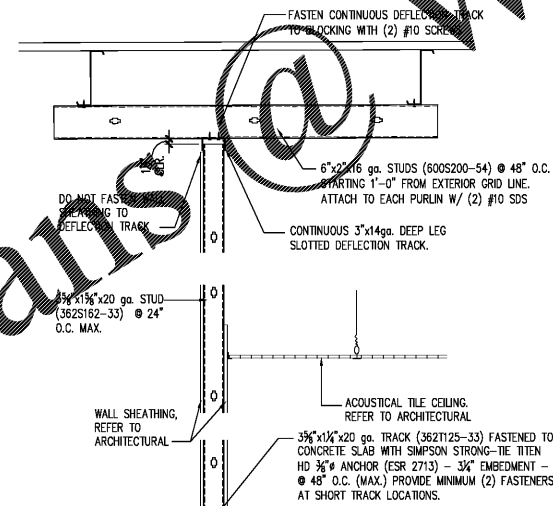
2 SECTION

S4 SCALE: 3/4" = 1'-0"



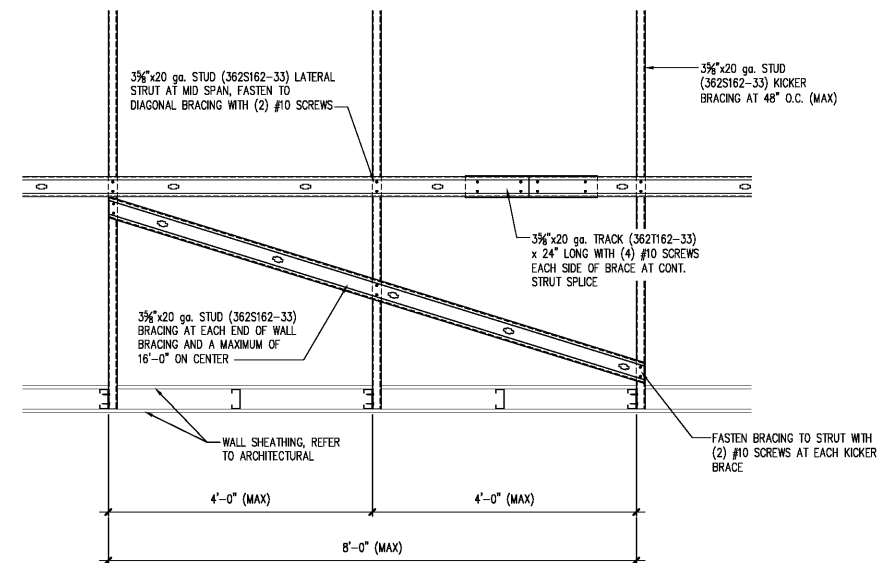
3 SECTION

S4 SCALE: 3/4" = 1'-0"



4 SECTION

S4 SCALE: 3/4" = 1'-0"



5 SECTION

S4 SCALE: 3/4" = 1'-0"



SHEETS BEARING THIS SEAL ARE AUTHENTICATED. RESPONSIBILITY FOR ALL OTHER PLANS, SPECIFICATIONS OR INSTRUMENTS ARE DISCLAIMED.

Jeffrey S. Smith, P.E.
Jeffrey S. Smith P.E., 2812
JLOPLIN, MISSOURI 64802
P.O. Box 8102 JOPLIN, MISSOURI 64802
PHONE: 417-824-0444 • FAX: 417-824-0430



PROJECT:
NEW O'REILLY AUTO PARTS STORE
2801 SOUTH MIAMI BLVD.
DURHAM, NC 27703

O'Reilly AUTO PARTS
CORPORATE OFFICES
233 SOUTH PATTERSON
SPRINGFIELD, MISSOURI 65802
(417) 862-2674 TELEPHONE

DRAWN BY: MW
CHECKED BY: AS, JS
DATE: 12/20/19
REVISION:
PROJECT NUMBER: 19281-DC1
SHEET NUMBER

S4

REPRODUCTION PROHIBITED WITHOUT THE EXPRESSED WRITTEN CONSENT OF THE DESIGN PROFESSIONAL. © COPYRIGHT 2019 - DESIGNS, DRAWINGS AND SPECIFICATIONS ARE INSTRUMENTS OF SERVICE AND ARE THE PROPERTY OF THE DESIGN PROFESSIONAL.