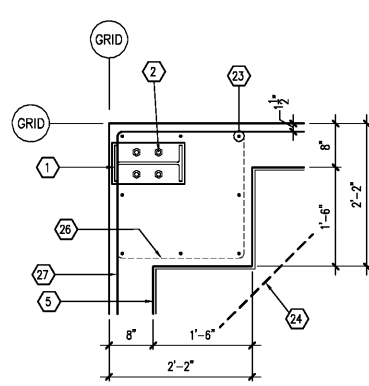


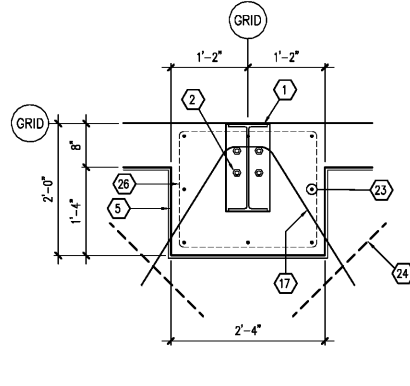
NOTE: ANCHOR BOLT ASSEMBLY TO BE PLACED IN FORM PRIOR TO POURING CONCRETE. BOLT MATERIAL MAY BE F1554 GR. 36, OR CONTINUOUSLY THREADED A36 ROD. ALL ANCHOR BOLTS SHALL BE CLEAN AND FREE OF ALL OIL, GREASE, ICE, ETC.

1 SHOP FABRICATED ANCHOR ASSEMBLY
 S3.2 SCALE: NONE
 (DO NOT SHIP UNASSEMBLED TO FIELD)

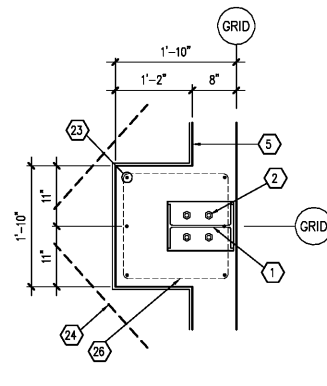
Order Plans @ www.drawing.com



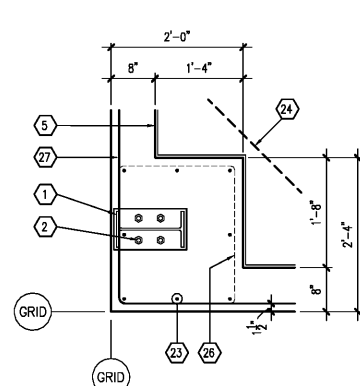
2 DETAIL
 S3.2 SCALE: 3/4" = 1'-0"



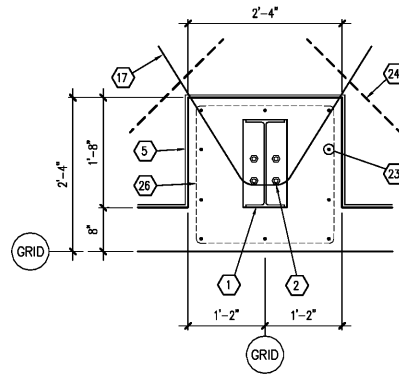
3 DETAIL
 S3.2 SCALE: 3/4" = 1'-0"



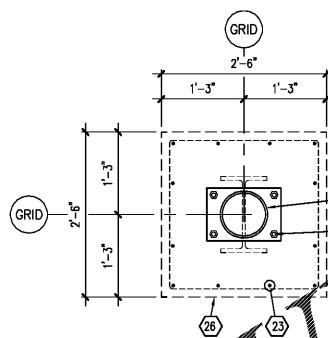
4 DETAIL
 S3.2 SCALE: 3/4" = 1'-0"



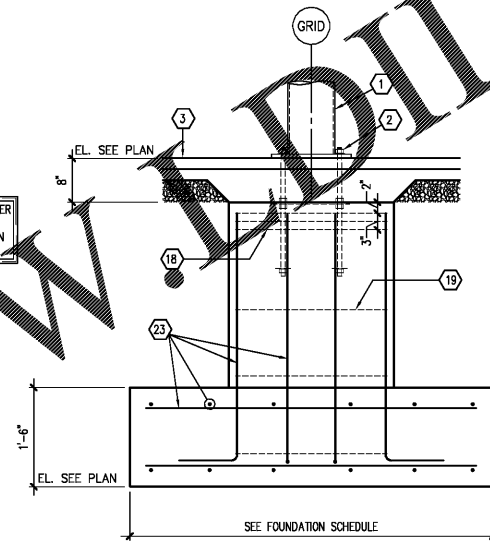
5 DETAIL
 S3.2 SCALE: 3/4" = 1'-0"



6 DETAIL
 S3.2 SCALE: 3/4" = 1'-0"



7 DETAIL
 S3.2 SCALE: 3/4" = 1'-0"



8 SECTION
 S3.2 SCALE: 3/4" = 1'-0"

KEYNOTES

- 1 PRE-ENGINEERED METAL BUILDING STRUCTURAL SYSTEM. SEE P.E.M.B. SHOP DRAWINGS FOR ADDITIONAL INFORMATION.
- 2 ANCHOR BOLTS. SEE FOUNDATION SCHEDULE AND PRE-ENGINEERED METAL BUILDING DRAWINGS FOR SIZE, QUANTITY AND PLAN LOCATION. SEE 1/S3.2 FOR TYPICAL SHOP FABRICATED ANCHOR ASSEMBLY.
- 3 INTERIOR CONCRETE SLAB SEE FOUNDATION PLAN.
- 4 #4 CONTINUOUS
- 5 1/2" ISOLATION JOINT WITH ASPHALTIC FILLER & SEALANT
- 6 TAPER TOP OF RIGID INSULATION 45 DEGREES AS SHOWN. POUR SLAB OVER INSULATION.
- 7 RIGID INSULATION BOARD LOCATED AS SHOWN WITH PERIMETER OF BUILDING. (R-10 MINIMUM REQUIRED).
- 8 #4'S CONTINUOUS AT 10" O.C.
- 9 #4 BENT DOWELS @ 18" O.C. STAGGERED HOOK AS SHOWN
- 10 (3) #4'S CONTINUOUS
- 11 SEE GRADING PLAN FOR FINISHED GRADES.
- 12 PAVING, SEE SITE DEVELOPMENT DRAWINGS FOR ADDITIONAL INFORMATION.
- 13 DRILL 6" DIA. HOLES FOR #4x1'-6" DOWELS @ 24" O.C. DRILL AND PLACE INTO FOUNDATION. USE ADHESIVE INSTRUCTIONS SPECIFIED BY MANUFACTURER.
- 14 #3x1'-0" DOWEL @ 18" O.C. FIELD BEND AS SHOWN
- 15 EXTERIOR SLAB, SEE PLAN.
- 16 EXTERIOR CONCRETE SLAB OR SIDEWALK SEE FOUNDATION PLAN. REFER TO SITE DEVELOPMENT DRAWINGS FOR ALL EXTERIOR TOP OF CONCRETE ELEVATIONS.
- 17 #5 SLAB HAIRPIN. SEE DETAIL 4/S3.1
- 18 (3) #3 TIES @ 12" O.C.
- 19 #3 TIES @ 12" O.C.
- 20 PROVIDE EXTERIOR FINISH AT TOP OF STEM WALL (SLOPE AS NECESSARY) WITH SMOOTH TRANSITION BETWEEN TOP OF STEM WALL AND TOP OF SLAB.
- 21 STEM WALL AND FOOTING REINFORCEMENT TO RUN CONTINUOUS THROUGH COLUMN PILASTERS AND SPREAD FOOTINGS.
- 22 ADDITIONAL #4 CONTINUOUS
- 23 SEE FOUNDATION SCHEDULE FOR FOOTING & PILASTER REINFORCEMENT.
- 24 #4x4'-0" DOWEL CENTERED IN SLAB. TURN 45 DEGREES AS SHOWN
- 25 STEEL BOLLARD SEE SITE PLAN.
- 26 REFER TO SECTIONS FOR REBAR TIE SIZE AND SPACING.
- 27 #4 CORNER REINFORCEMENT TO MATCH STEM WALL BAR SPACING.



Jeffrey S. Smith, P.E.
 Jeffrey S. Smith P.E., 12812
 P.O. Box 8102, JOPLIN, MISSOURI 64802
 PHONE: 417-824-0444 • FAX: 417-824-0430

PROJECT: **O'Reilly AUTO PARTS**
NEW O'REILLY AUTO PARTS STORE
2801 SOUTH MIAMI BLVD.
DURHAM, NC 27703

O'Reilly AUTO PARTS
 CORPORATE OFFICES
 233 SOUTH PATTERSON
 SPRINGFIELD, MISSOURI 65802
 (417) 862-2674 TELEPHONE

DRAWN BY: **MW** CHECKED BY: **AS, JS**
 DATE: **12/20/19**
 REVISION:
 PROJECT NUMBER:
19281-DC1

SHEET NUMBER
S3.2

© COPYRIGHT 2019 - DESIGNS, DRAWINGS AND SPECIFICATIONS ARE INSTRUMENTS OF SERVICE AND ARE THE PROPERTY OF THE DESIGN PROFESSIONAL. REPRODUCTION PROHIBITED WITHOUT THE EXPRESSED WRITTEN CONSENT OF THE DESIGN PROFESSIONAL.