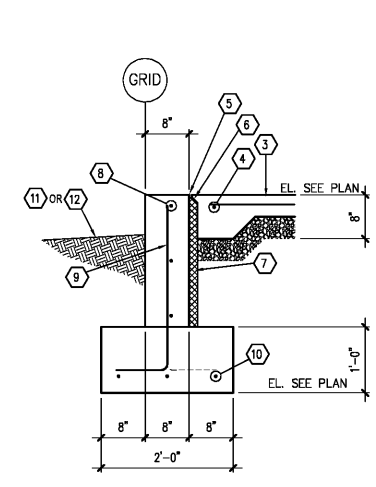
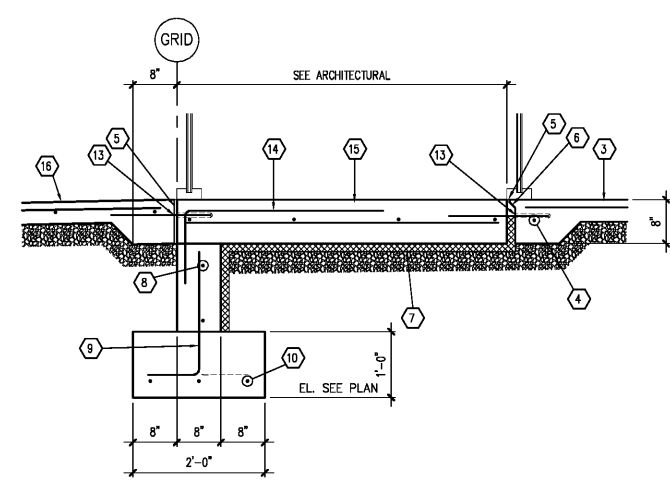


KEYNOTES

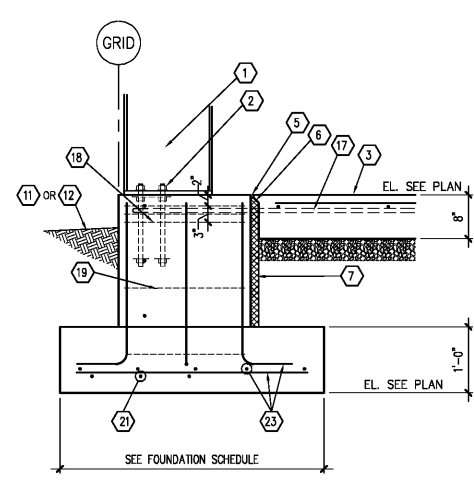
- 1 PRE-ENGINEERED METAL BUILDING STRUCTURAL SYSTEM. SEE P.E.M.B. SHOP DRAWINGS FOR ADDITIONAL INFORMATION.
- 2 ANCHOR BOLTS. SEE FOUNDATION SCHEDULE AND PRE-ENGINEERED METAL BUILDING DRAWINGS FOR SIZE, QUANTITY AND PLAN LOCATION. SEE 1/S3.2 FOR TYPICAL SHOP FABRICATED ANCHOR ASSEMBLY.
- 3 INTERIOR CONCRETE SLAB SEE FOUNDATION PLAN.
- 4 #4 CONTINUOUS
- 5 1/2" ISOLATION JOINT WITH ASPHALTIC FILLER & SEALANT
- 6 TAPER TOP OF RIGID INSULATION 45 DEGREES AS SHOWN. POUR SLAB OVER INSULATION.
- 7 RIGID INSULATION BOARD LOCATED AS SHOWN WITH RADIUS OF BUILDING (R-10 MINIMUM REQUIRED).
- 8 #4'S CONTINUOUS AT 10" O.C.
- 9 #4 BENT DOWELS @ 18" O.C. STAGGERED HOOK AS SHOWN
- 10 (3) #4'S CONTINUOUS
- 11 SEE GRADING PLAN FOR FINISHED GRADES.
- 12 PAVING, SEE SITE DEVELOPMENT DRAWINGS FOR ADDITIONAL INFORMATION.
- 13 DRILL 6" DIA. HOLES FOR #4x1'-6" DOWELS @ 24" O.C. DRILL AND PLACE INTO FOUNDATION. USE ADHESIVE INSTRUCTIONS SPECIFIED BY MANUFACTURER.
- 14 #3x1'-0" DOWEL @ 18" O.C. FIELD BEND AS SHOWN
- 15 ENTRY SLAB, SEE PLAN.
- 16 EXTERIOR CONCRETE SLAB OR SIDEWALK SEE FOUNDATION PLAN. REFER TO SITE DEVELOPMENT DRAWINGS FOR ALL EXTERIOR TOP OF CONCRETE ELEVATIONS.
- 17 #5 SLAB HAIRPIN. SEE DETAIL 4/S3.1
- 18 (3) #3 TIES @ 12" O.C.
- 19 #3 TIES @ 12" O.C.
- 20 PROVIDE EXTERIOR FINISH AT TOP OF STEMWALL (SLOPE AS NECESSARY) WITH SMOOTH TRANSITION BETWEEN TOP OF STEMWALL AND TOP OF SLAB.
- 21 STEM WALL AND FOOTING REINFORCEMENT TO RUN CONTINUOUS THROUGH COLUMN PILASTERS AND SPREAD FOOTINGS.
- 22 ADDITIONAL #4 CONTINUOUS
- 23 SEE FOUNDATION SCHEDULE FOR FOOTING & PILASTER REINFORCEMENT.
- 24 #4x4'-0" DOWEL CENTERED IN SLAB. TURN 45 DEGREES AS SHOWN
- 25 STEEL BOLLARD SEE SITE PLAN.
- 26 REFER TO SECTIONS FOR REBAR TIE SIZE AND SPACING.
- 27 #4 CORNER REINFORCEMENT TO MATCH STEM WALL BAR SPACING.



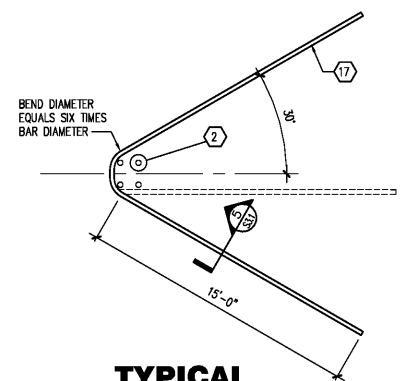
1 SECTION
S3.1 SCALE: 3/4" = 1'-0"



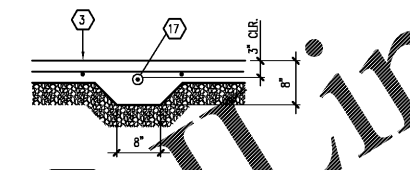
2 SECTION
S3.1 SCALE: 3/4" = 1'-0"



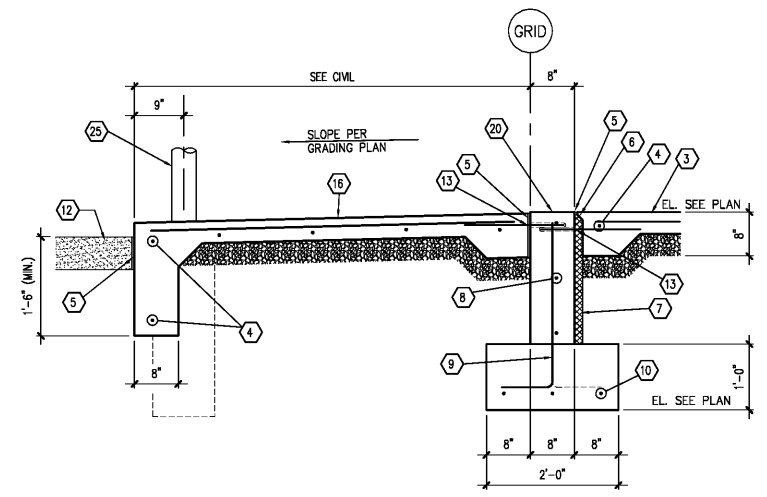
3 SECTION
S3.1 SCALE: 3/4" = 1'-0"



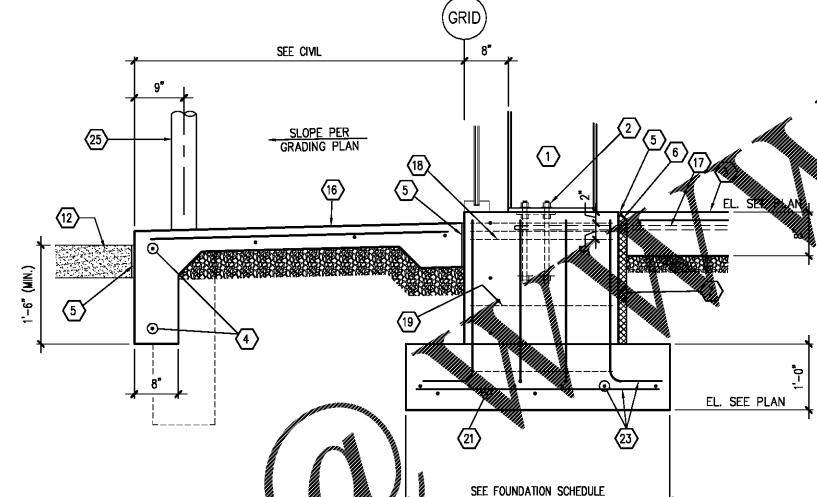
4 TYPICAL HAIRPIN DETAIL
S3.1 SCALE: NONE



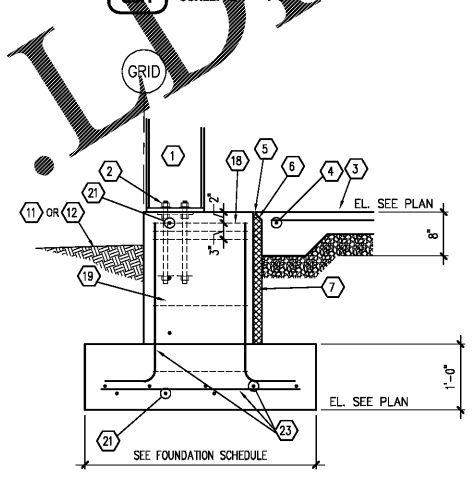
5 SECTION
S3.1 SCALE: 3/4" = 1'-0"



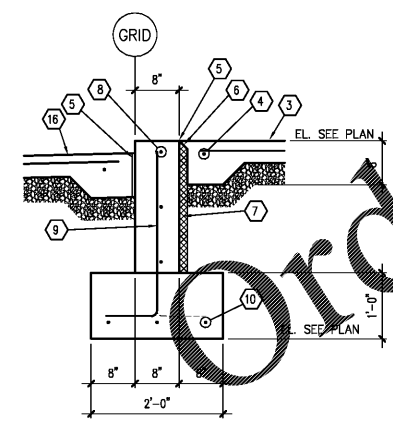
6 SECTION
S3.1 SCALE: 3/4" = 1'-0"



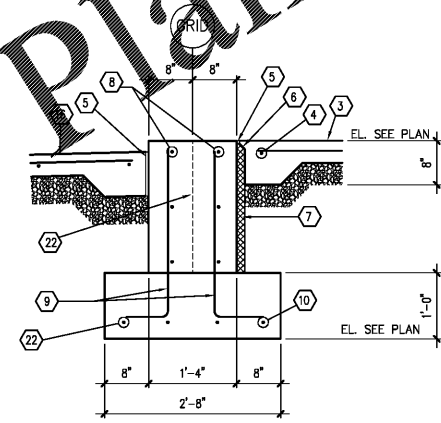
7 SECTION
S3.1 SCALE: 3/4" = 1'-0"



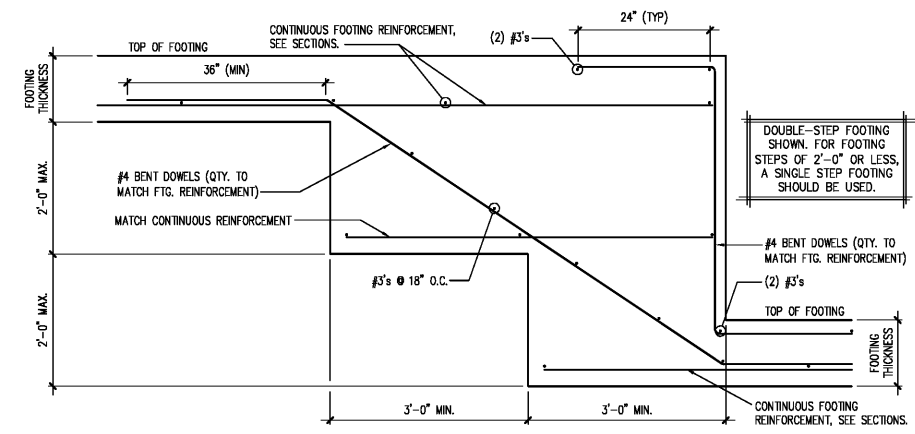
8 SECTION
S3.1 SCALE: 3/4" = 1'-0"



9 SECTION
S3.1 SCALE: 3/4" = 1'-0"



10 SECTION
S3.1 SCALE: 3/4" = 1'-0"



11 TYPICAL STEPPED FOOTING
S3.1 SCALE: 3/4" = 1'-0" (IF NEEDED)

Order Plans @ WWW.LDOnline.com

Jeffrey S. Smith, P.E.
 Jeffrey S. Smith P.E. 12812
 P.O. Box 8102 JOPLIN, MISSOURI 64802
 PHONE 417-824-0444 FAX 417-824-0430

PROJECT:
 NEW O'REILLY AUTO PARTS STORE
 2801 SOUTH MIAMI BLVD.
 DURHAM, NC 27703

O'Reilly AUTO PARTS
 CORPORATE OFFICES
 293 SOUTH PATTERSON
 SPRINGFIELD, MISSOURI 65802
 (417) 862-2674 TELEPHONE

DRAWN BY: **MW** CHECKED BY: **AS, JS**
 DATE: **12/20/19**
 REVISION:
 PROJECT NUMBER:
19281-DC1

S3.1