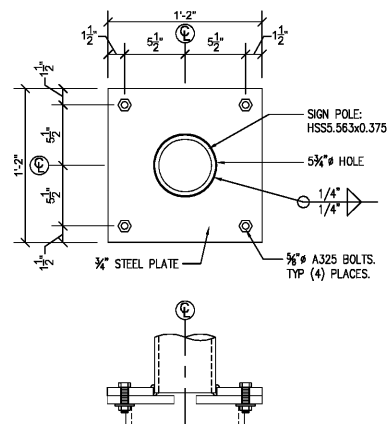
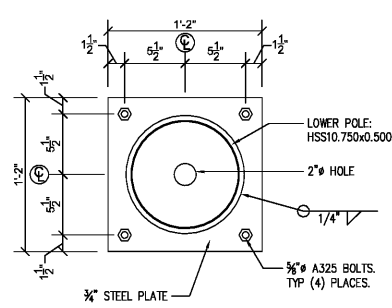


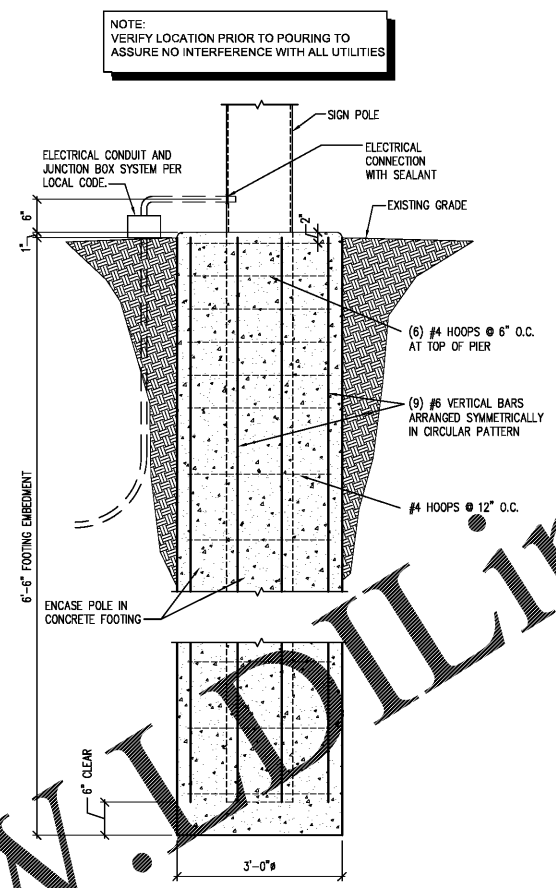
**1 GROUND SIGN ELEVATION**  
 S1.2 SCALE: 1/4" = 1'-0" (SEE SITE PLAN FOR LOCATION)



**2 SIGN MATCH PLATE**  
 S1.2 SCALE: 1 1/2" = 1'-0"



**3 POLE CAP PLATE**  
 S1.2 SCALE: 1 1/2" = 1'-0"



**4 POLE FOUNDATION SECTION**  
 S1.2 SCALE: 3/4" = 1'-0"

**GENERAL NOTES**

- A. REFER TO PROJECT MANUAL FOR ADDITIONAL REQUIREMENTS.
- B. CONTACT OWNER'S OR TENANT'S DESIGNATED PROJECT ADMINISTRATOR FOR QUESTIONS OR CLARIFICATIONS.
- C. SITE SIGN FOUNDATIONS AND ROUGH-IN ELECTRICAL TO BE PROVIDED BY CONTRACTOR.
- D. REQUIRED GOVERNMENTAL PERMITS FOR PERMANENT TYPE SIGNAGE TO BE PROVIDED BY OWNER OR OTHERS (N.I.C.).

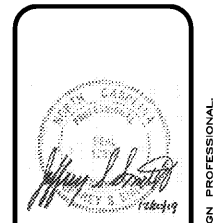
**DESIGN CRITERIA**

- A. GOVERNING BUILDING CODE: 2018 NORTH CAROLINA BUILDING CODE (2015 IBC)
- B. WIND CRITERIA:
  - B.1. RISK CATEGORY II
  - B.2.  $V_w = 115$  mph
  - B.3.  $V_{w0} = 99$  mph
  - B.4. EXPOSURE "C"
- C. SEISMIC CRITERIA:
  - C.1. SITE CLASS = D
  - C.2. SDC = 0
  - C.3.  $S_s = 0$
  - C.4.  $S_1 = 0.07$
  - C.5.  $S_{m1} = 0.183$
  - C.6.  $S_{m2} = 0.122$

**STRUCTURAL NOTES**

- A. A GEOTECHNICAL ANALYSIS HAS BEEN PERFORMED ON THIS SITE. SEE PROJECT MANUAL FOR GEOTECHNICAL INFORMATION. APPROPRIATE RECOMMENDATIONS STATED IN THE GEOTECHNICAL REPORT ISSUED BY BUILDING & EARTH SCIENCES, LLP DATED OCTOBER, 2 2019 SHALL BE FOLLOWED.
- B. THESE FOUNDATIONS HAVE BEEN DESIGNED FOR A VERTICAL SOIL BEARING OF 2500 psf AND LATERAL BEARING OF 325 psf/ft. (NOTE: LATERAL EARTH PRESSURE INCREASED IN ACCORDANCE WITH DESIGN PROVISIONS FOR ISOLATED POLE FOUNDATIONS SUBJECT TO TRANSIENT LATERAL LOADS.)
- C. BRACE POLE SIGN AGAINST LATERAL FORCES UNTIL CONCRETE HAS REACHED SPECIFIED COMPRESSIVE DESIGN STRENGTH.
- D. ALL READY MIX CONCRETE SHALL BE 4000 psi FOR ALL CONCRETE PLACEMENT. DO NOT ADD WATER TO THE MIX DESIGN AFTER DELIVERY TO THE PROJECT SITE.
- E. EXPOSED EXTERIOR CONCRETE SHALL BE AIR-ENTRAINED (TOTAL AIR CONTENT = 5%).
- F. HOT OR COLD WEATHER CONCRETING SHALL BE IN ACCORDANCE WITH ACI 305-89 AND ACI 305-1-90, RESPECTIVELY.
- G. ANY CONCRETE PLACED BY MEANS OF PUMPING SHALL BE DONE IN ACCORDANCE WITH ACI 304.2R (82).
- H. CEMENT SHALL CONFORM TO A.S.T.M. C-150 TYPE III.
- I. AGGREGATES SHALL CONFORM TO A.S.T.M. C-33 FOR NORMAL WEIGHT CONCRETE.
- J. READY MIX CONCRETE SHALL BE MIXED AND DELIVERED IN ACCORDANCE WITH A.S.T.M. C-94.
- K. ADMIXTURES MAY BE USED WITH THE APPROVAL OF THE STRUCTURAL ENGINEER. ADMIXTURES USED TO INCREASE THE WORKABILITY OF THE CONCRETE SHALL NOT BE CONSIDERED TO REDUCE THE CEMENT CONTENT. NO CALCIUM CHLORIDE ADMIXTURES ALLOWED.
- L. FABRICATOR QUALIFICATIONS: FABRICATOR MUST PARTICIPATE IN THE AISC QUALITY CONTROL PROGRAM AND BE DESIGNATED AN AISC-CERTIFIED PLANT.
- M. MATERIALS:
  - STRUCTURAL STEEL..... ASTM A992, GRADE 50ksi
  - PLATES, ANGLES, AND MISC STEEL..... ASTM A36ksi
  - ANCHOR RODS..... ASTM F1554, GRADE 38
  - HIGH STRENGTH BOLTS..... ASTM F3125
  - WELDING ELECTRODES..... AWS A5.1 (E70XX)
  - PIPE..... ASTM A53, GRADE B
  - ROUND HSS..... ASTM A500, GRADE B, Fy = 42ksi

Order Plans @ WWW.IDLine.com



Jeffrey S. Smith, P.E.  
 Jeffrey S. Smith P.E. 12812  
 P.O. Box 8102 • JOPLIN, MISSOURI 64802  
 PHONE: 417-824-0444 • FAX: 417-824-0438

PROJECT:  
 NEW O'REILLY AUTO PARTS STORE  
 2801 SOUTH MIAMI BLVD.  
 DURHAM, NC 27703

**O'Reilly AUTO PARTS**  
 CORPORATE OFFICES  
 233 SOUTH PATTERSON  
 SPRINGFIELD, MISSOURI 65802  
 (417) 962-2674 TELEPHONE

DRAWN BY: MW  
 CHECKED BY: AS, JS  
 DATE: 12/20/19  
 REVISION:  
 PROJECT NUMBER: 19261-DC1  
 SHEET NUMBER: S1.2

DESIGNS, DRAWINGS AND SPECIFICATIONS ARE INSTRUMENTS OF SERVICE AND ARE THE PROPERTY OF THE DESIGN PROFESSIONAL. REPRODUCTION PROHIBITED WITHOUT THE EXPRESSED WRITTEN CONSENT OF THE DESIGN PROFESSIONAL. © COPYRIGHT 2019