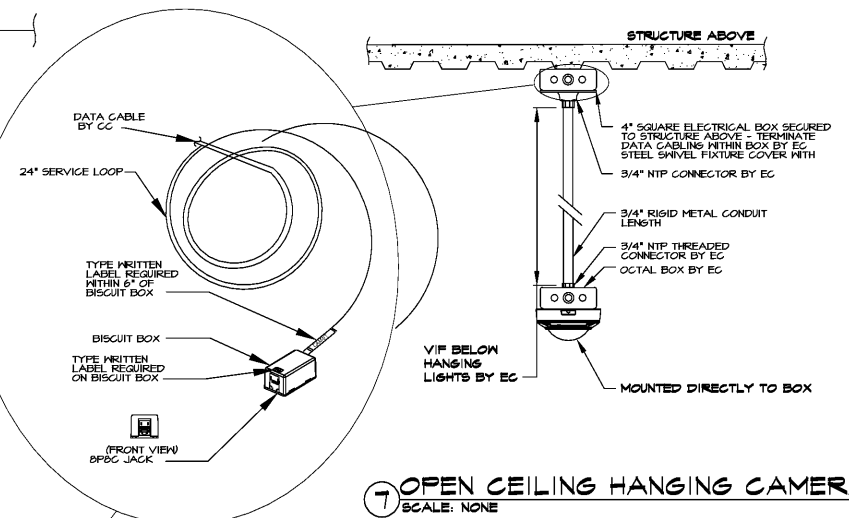
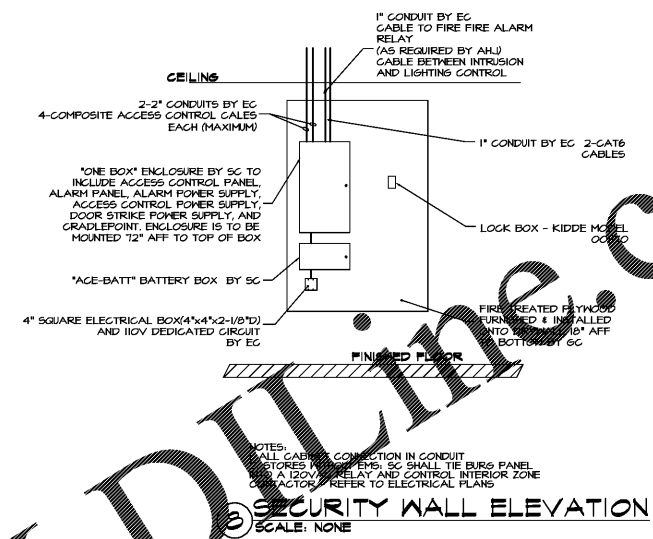


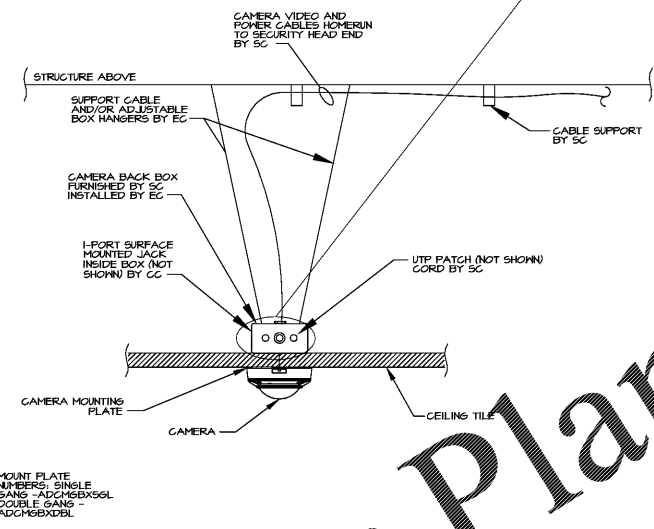
6 WALL MOUNT CAMERA DETAIL
 SCALE: NONE



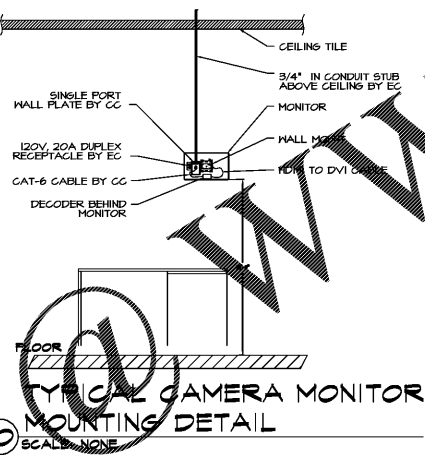
7 OPEN CEILING HANGING CAMERA
 SCALE: NONE



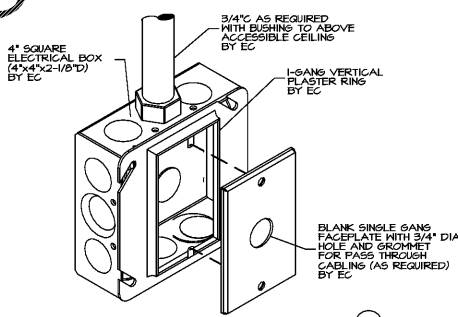
8 SECURITY WALL ELEVATION
 SCALE: NONE



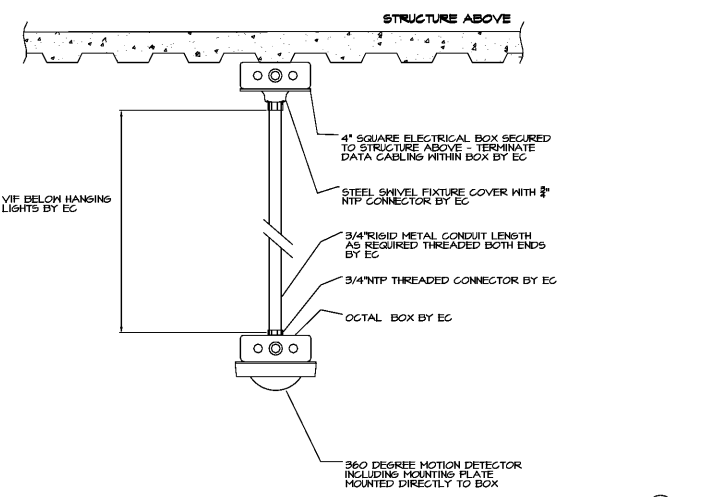
9 PANORAMIC CEILING MOUNT CAMERA DETAIL
 SCALE: NONE



10 TYPICAL CAMERA MONITOR MOUNTING DETAIL
 SCALE: NONE



11 ELECTRICAL BOX DETAIL
 SCALE: NONE



12 OPEN CEILING HANGING MOTION DETECTOR
 SCALE: NONE

SCOPE DELINEATION

ALL WORK SHALL BE THE RESPONSIBILITY OF THE CONTRACTOR UNLESS NOTED OTHERWISE AS FOLLOWS:

EC - ELECTRICAL CONTRACTOR
 GC - GENERAL CONTRACTOR

DS
 KP CR
 (SYMBOLS)

MS
 (SYMBOL)

© CONTENTS COPYRIGHT 2020
 TELECENT ENGINEERING, INC.

NO.	REVISION	DATE
FILE	DRAWN	ISSUED
20013J	CBH	06/19/2020

SHEET TITLE

Security Details

SHEET NUMBER

93.06

Bid/Permit Documents