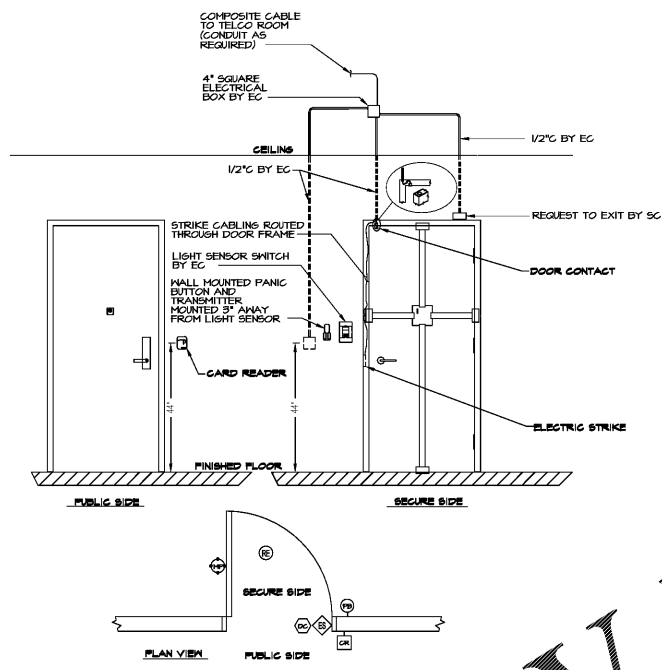
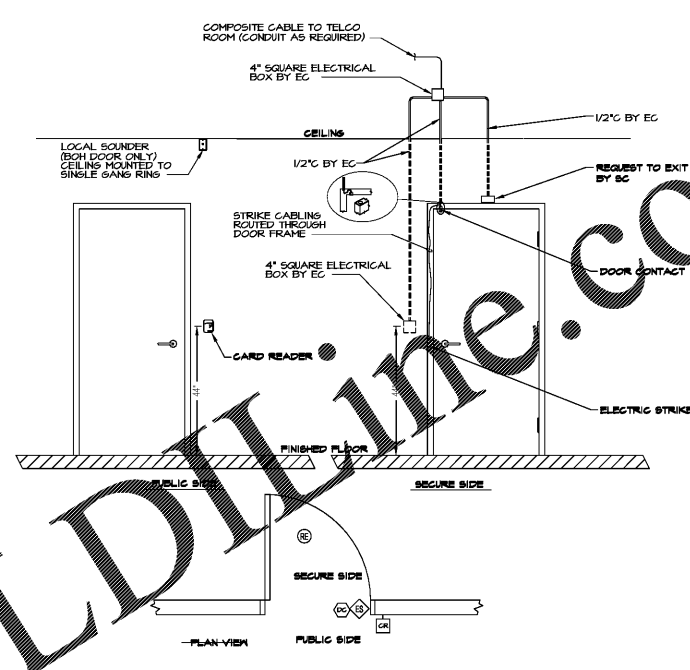


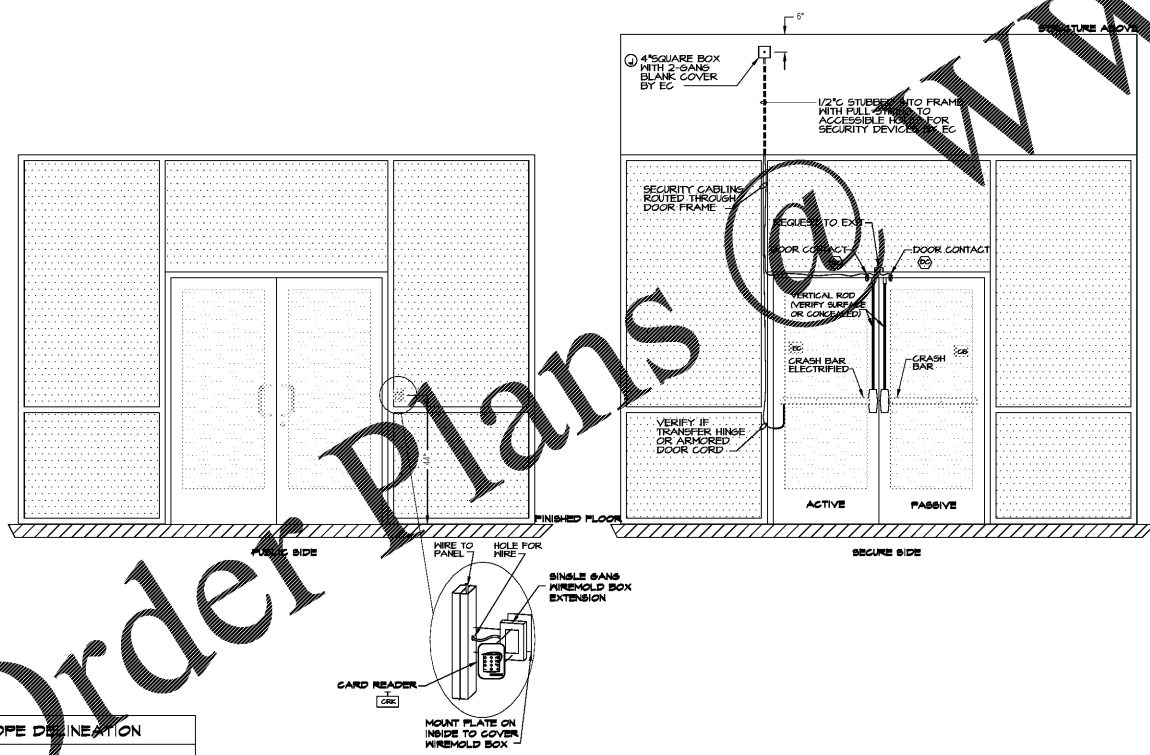
① PERIMETER SOLID ENTRY DOOR
SCALE: NONE



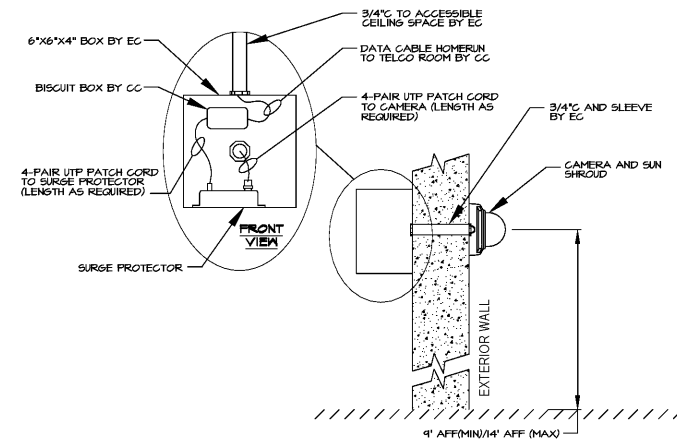
② CENTRALIZED INVENTORY STORAGE ROOM
SCALE: NONE



③ INTERIOR CARD READER DOOR
SCALE: NONE



④ DOUBLE DOOR TYPICAL STOREFRONT ELEVATION
SCALE: NONE



⑤ OUTDOOR WALL MOUNT CAMERA DETAIL
SCALE: NONE

SCOPE DELINEATION
ALL WORK BY THE SECURITY CONTRACTOR UNLESS NOTED OTHERWISE AS FOLLOWS:
EC - ELECTRICAL CONTRACTOR
GC - GENERAL CONTRACTOR

- NOTES:**
- CAMERA SHALL BE MOUNTED MINIMUM OF 3' FROM EXTERIOR LIGHTING. EC SHALL COORDINATE WITH GC AND ARCHITECT FOR FINAL LOCATION OF ALL EXTERIOR CAMERAS.
 - ALL FIRESTOPPING AND WEATHERPROOFING SHALL BE FURNISHED AND INSTALLED BY GC.

NO.	REVISION	DATE
FILE	DRAWN	ISSUED
20013J	CBH	06/19/2020

Security Details

SHEET NUMBER

93.05

Bid/Permit Documents