

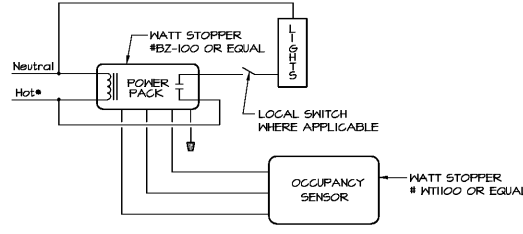
Order Plans

GENERAL NOTES:

1. CONTRACTOR SHALL PROVIDE LOCKING TYPE BREAKERS ON ALL EMERGENCY BACK-UP/NIGHT LIGHT LIGHTING FIXTURES AND EXIT CIRCUITS.
2. CONNECT ALL EXIT LIGHTS AND NIGHT LIGHTS TO UNSWITCHED CIRCUIT INDICATED.
3. ALL EMERGENCY LIGHTS (BATTERY PACKS) SHALL BE CONNECTED TO THE UNSWITCHED LIGHTING CIRCUIT SERVING AREA.
4. REFER TO OCCUPANCY SENSOR WIRING DIAGRAM FOR SENSOR MODELS & WIRING DETAILS.
5. REFER TO ARCHITECTURAL DRAWINGS (REFLECTED CEILING PLAN AND FURNITURE FLOOR PLAN) FOR FINAL EQUIPMENT (FURNITURE/FIXTURE) LOCATIONS.
6. REFER TO LIGHTING CONTROL SYSTEM SCHEMATIC DIAGRAM.
7. PHOTOCELL (OSA SENSOR) IS PROVIDED WITH ENERGY MANAGEMENT SYSTEM (EMS) AND PROPOSED TO BE MOUNTED TO ROOF TOP UNIT.
8. REFER TO SHEET 90.02 FOR LIGHTING SEQUENCE OF OPERATIONS.

DRAWING NOTES

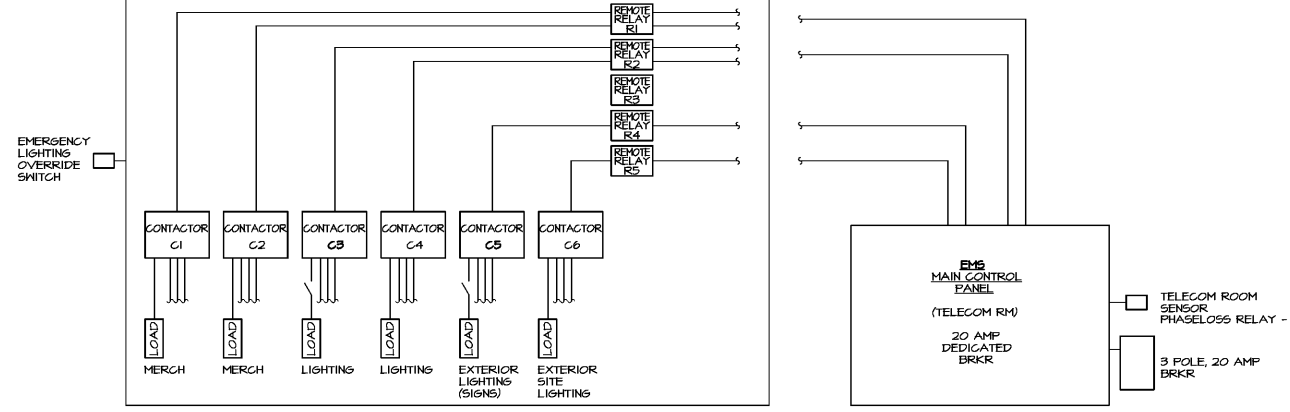
- ① ALL LIGHTING FIXTURES THAT ARE EXISTING TO REMAIN ARE SHOWN LIGHT, SOLID. ALL NEW LIGHTING FIXTURES ARE SHOWN BOLD, SOLID.
- ② PANELBOARD, REFER TO PANEL SCHEDULES ON SHEET 94.01 FOR ADDITIONAL INFORMATION.
- ③ PROPOSED ENERGY MANAGEMENT SYSTEM (EMS) CONTROL PANEL AND LIGHTING CONTROL PANEL (LCP), REFER TO EMS DETAILS ON SHEET 93.02 AND CONTACTOR SCHEDULE ON SHEET 94.01.
- ④ EXTEND LIGHT CIRCUITS INDICATED VIA LIGHTING CONTROLS, AS REQUIRED, FOR CONNECTION THROUGH ENERGY MANAGEMENT SYSTEM (EMS). REFER TO THE EMS CONTROL DIAGRAM ON SHEET 93.02 AND CONTACTOR SCHEDULE ON SHEET 94.01.
- ⑤ PROVIDE HALL MOUNTED (SINGLE POLE, DIMMER, DUAL TECHNOLOGY OCCUPANCY SENSOR, VACANCY) SWITCH AS INDICATED. EXTEND WIRINGS AS REQUIRED TO CONTROL LIGHTING FIXTURES WITHIN DESIGNATED SPACE AND OR AS INDICATED WITH SUBSCRIPTS ("a", "b", "c", "d", "e", "f", "g", "h", "i", "j", "k", "l", "m", "n", "o", "p", "q", "r", "s", "t", "u", "v", "w", "x", "y", "z", "aa", "ab", "ac", "ad", "ae", "af", "ag", "ah", "ai", "aj", "ak", "al", "am", "an", "ao", "ap", "aq", "ar", "as", "at", "au", "av", "aw", "ax", "ay", "az", "ba", "bb", "bc", "bd", "be", "bf", "bg", "bh", "bi", "bj", "bk", "bl", "bm", "bn", "bo", "bp", "bq", "br", "bs", "bt", "bu", "bv", "bw", "bx", "by", "bz", "ca", "cb", "cc", "cd", "ce", "cf", "cg", "ch", "ci", "cj", "ck", "cl", "cm", "cn", "co", "cp", "cq", "cr", "cs", "ct", "cu", "cv", "cw", "cx", "cy", "cz", "da", "db", "dc", "dd", "de", "df", "dg", "dh", "di", "dj", "dk", "dl", "dm", "dn", "do", "dp", "dq", "dr", "ds", "dt", "du", "dv", "dw", "dx", "dy", "dz", "ea", "eb", "ec", "ed", "ee", "ef", "eg", "eh", "ei", "ej", "ek", "el", "em", "en", "eo", "ep", "eq", "er", "es", "et", "eu", "ev", "ew", "ex", "ey", "ez", "fa", "fb", "fc", "fd", "fe", "ff", "fg", "fh", "fi", "fj", "fk", "fl", "fm", "fn", "fo", "fp", "fq", "fr", "fs", "ft", "fu", "fv", "fw", "fx", "fy", "fz", "ga", "gb", "gc", "gd", "ge", "gf", "gg", "gh", "gi", "gj", "gk", "gl", "gm", "gn", "go", "gp", "gq", "gr", "gs", "gt", "gu", "gv", "gw", "gx", "gy", "gz", "ha", "hb", "hc", "hd", "he", "hf", "hg", "hh", "hi", "hj", "hk", "hl", "hm", "hn", "ho", "hp", "hq", "hr", "hs", "ht", "hu", "hv", "hw", "hx", "hy", "hz", "ia", "ib", "ic", "id", "ie", "if", "ig", "ih", "ii", "ij", "ik", "il", "im", "in", "io", "ip", "iq", "ir", "is", "it", "iu", "iv", "iw", "ix", "iy", "iz", "ja", "jb", "jc", "jd", "je", "jf", "jg", "jh", "ji", "jj", "jk", "jl", "jm", "jn", "jo", "jp", "jq", "jr", "js", "jt", "ju", "jv", "jw", "jx", "jy", "jz", "ka", "kb", "kc", "kd", "ke", "kf", "kg", "kh", "ki", "kj", "kk", "kl", "km", "kn", "ko", "kp", "kq", "kr", "ks", "kt", "ku", "kv", "kw", "kx", "ky", "kz", "la", "lb", "lc", "ld", "le", "lf", "lg", "lh", "li", "lj", "lk", "ll", "lm", "ln", "lo", "lp", "lq", "lr", "ls", "lt", "lu", "lv", "lw", "lx", "ly", "lz", "ma", "mb", "mc", "md", "me", "mf", "mg", "mh", "mi", "mj", "mk", "ml", "mm", "mn", "mo", "mp", "mq", "mr", "ms", "mt", "mu", "mv", "mw", "mx", "my", "mz", "na", "nb", "nc", "nd", "ne", "nf", "ng", "nh", "ni", "nj", "nk", "nl", "nm", "nn", "no", "np", "nq", "nr", "ns", "nt", "nu", "nv", "nw", "nx", "ny", "nz", "oa", "ob", "oc", "od", "oe", "of", "og", "oh", "oi", "oj", "ok", "ol", "om", "on", "oo", "op", "oq", "or", "os", "ot", "ou", "ov", "ow", "ox", "oy", "oz", "pa", "pb", "pc", "pd", "pe", "pf", "pg", "ph", "pi", "pj", "pk", "pl", "pm", "pn", "po", "pp", "pq", "pr", "ps", "pt", "pu", "pv", "pw", "px", "py", "pz", "qa", "qb", "qc", "qd", "qe", "qf", "qg", "qh", "qi", "qj", "qk", "ql", "qm", "qn", "qo", "qp", "qq", "qr", "qs", "qt", "qu", "qv", "qw", "qx", "qy", "qz", "ra", "rb", "rc", "rd", "re", "rf", "rg", "rh", "ri", "rj", "rk", "rl", "rm", "rn", "ro", "rp", "rq", "rr", "rs", "rt", "ru", "rv", "rw", "rx", "ry", "rz", "sa", "sb", "sc", "sd", "se", "sf", "sg", "sh", "si", "sj", "sk", "sl", "sm", "sn", "so", "sp", "sq", "sr", "ss", "st", "su", "sv", "sw", "sx", "sy", "sz", "ta", "tb", "tc", "td", "te", "tf", "tg", "th", "ti", "tj", "tk", "tl", "tm", "tn", "to", "tp", "tq", "tr", "ts", "tt", "tu", "tv", "tw", "tx", "ty", "tz", "ua", "ub", "uc", "ud", "ue", "uf", "ug", "uh", "ui", "uj", "uk", "ul", "um", "un", "uo", "up", "uq", "ur", "us", "ut", "uu", "uv", "uw", "ux", "uy", "uz", "va", "vb", "vc", "vd", "ve", "vf", "vg", "vh", "vi", "vj", "vk", "vl", "vm", "vn", "vo", "vp", "vq", "vr", "vs", "vt", "vu", "vv", "vw", "vx", "vy", "vz", "wa", "wb", "wc", "wd", "we", "wf", "wg", "wh", "wi", "wj", "wk", "wl", "wm", "wn", "wo", "wp", "wq", "wr", "ws", "wt", "wu", "wv", "ww", "wx", "wy", "wz", "xa", "xb", "xc", "xd", "xe", "xf", "xg", "xh", "xi", "xj", "xk", "xl", "xm", "xn", "xo", "xp", "xq", "xr", "xs", "xt", "xu", "xv", "xw", "xx", "xy", "xz", "ya", "yb", "yc", "yd", "ye", "yf", "yg", "yh", "yi", "yj", "yk", "yl", "ym", "yn", "yo", "yp", "yq", "yr", "ys", "yt", "yu", "yv", "yw", "yx", "yy", "yz", "za", "zb", "zc", "zd", "ze", "zf", "zg", "zh", "zi", "zj", "zk", "zl", "zm", "zn", "zo", "zp", "zq", "zr", "zs", "zt", "zu", "zv", "zw", "zx", "zy", "zz").
- ⑥ UNDERCABINET (TYPE "M-08") LIGHTING SHALL BE CONTROLLED BY OCCUPANCY SENSOR WIRED AHEAD OF THE LOCAL SWITCHES (SWITCHES ARE INTEGRAL WITH FIXTURES).
- ⑦ EXTEND BRANCH CIRCUIT WIRING VIA TRACK LIGHTING 120 VOLT CURRENT LIMITING DEVICE (TYP EACH RUN OF TRACK). DEVICE SHALL LIMIT EACH TRACK TO 240W MAX (LINO LIGHTING TRAC-MASTER SERIES TLG2 OR APPROVED EQUAL). PROVIDE ALL TRACK ACCESSORIES FOR FULLY FUNCTIONAL SYSTEM AS REQUIRED.
- ⑧ EXTEND BRANCH CIRCUIT WIRING VIA TRACK LIGHTING 120 VOLT CURRENT LIMITING DEVICE (TYP EACH RUN OF TRACK). DEVICE SHALL LIMIT EACH TRACK TO 360W MAX (LINO LIGHTING TRAC-MASTER SERIES TLG2 OR APPROVED EQUAL). PROVIDE ALL TRACK ACCESSORIES FOR FULLY FUNCTIONAL SYSTEM AS REQUIRED.
- ⑨ EXISTING EXTERIOR LIGHTING FIXTURES TO REMAIN, CONTRACTOR SHALL INSPECT, CLEAN, REPAIR AS NEEDED AND REPLACE WHERE REQUIRED.
- ⑩ BOTTOM OF SUSPENDED LINEAR PENDANTS 8'-6" A.F.F. JUNCTION BOX TO BE LOCATED ON FIXTURE AND FURTHEST FROM ENTRY.
- ⑪ BOTTOM OF SUSPENDED CORD PENDANTS 5'-5" A.F.F. POWER CORD COMES IN 6'-10". ARCHITECT ON RECORD TO VERIFY DROP HEIGHT DOES NOT EXCEED CORD LENGTH.
- ⑫ BOTTOM OF TRACK LIGHTING 11'-0" A.F.F.
- ⑬ DUAL HEAD HONO POINT LED LIGHT CONNECTION AT 11'-0" A.F.F.
- ⑭ ELECTRICAL CONTRACTOR SHALL PROVIDE 120V CONNECTION TO EXISTING JUNCTION BOX FOR FUTURE TENANT EXTERIOR SIGNAGE. CONFIRM FINAL LOCATION WITH VERIZON CONSTRUCTION MANAGER BEFORE INSTALLATION. PROVIDE WEATHERPROOF SWITCH FOR EQUIPMENT SERVICE.
- ⑮ ELECTRICAL CONTRACTOR SHALL PROVIDE 120V CONNECTION TO PROPOSED JUNCTION BOX FOR FUTURE TENANT EXTERIOR SIGNAGE. CONFIRM FINAL LOCATION WITH VERIZON CONSTRUCTION MANAGER BEFORE INSTALLATION. PROVIDE WEATHERPROOF SWITCH FOR EQUIPMENT SERVICE.
- ⑯ PROVIDE TS-48/TS-60 PLUG-IN TRANSFORMERS FOR MILLWORK LIGHTING AS NEEDED. MILLWORK LIGHTING SHALL BE "ALWAYS ON".
- ⑰ NOTE: ALL LIGHT FIXTURES SHALL BE AIMED/CONFIGURED AT THE COMPLETION OF PROJECT TO MEET VERIZON LIGHTING GUIDELINES. SEE LIGHTING DETAIL SHEET 93.03 FOR ADDITIONAL INFORMATION.
- ⑱ NOTE: ALL BRANCH CIRCUIT WIRINGS RUN IN EXPOSED CEILING SHALL BE RUN PERPENDICULAR TO AND CONCEALED PARALLEL WITH EXISTING STRUCTURAL BEAMS/JOISTS. ALL WIRINGS/CONDUIT SHALL BE MINIMALLY VISIBLE FROM RETAIL SALES FLOOR.



OCCUPANCY SENSOR WIRING DIAGRAM
NO SCALE

WWW.LDDI.COM

LCP - LIGHTING CONTACTOR PANEL



LIGHTING CONTROL SYSTEM SCHEMATIC DIAGRAM
NO SCALE

© CONTENTS COPYRIGHT 2020 TELECENT ENGINEERING, INC.

NO.	REVISION	DATE
FILE 20013J	DRAWN CBH	ISSUED 06/19/2020

SHEET TITLE

