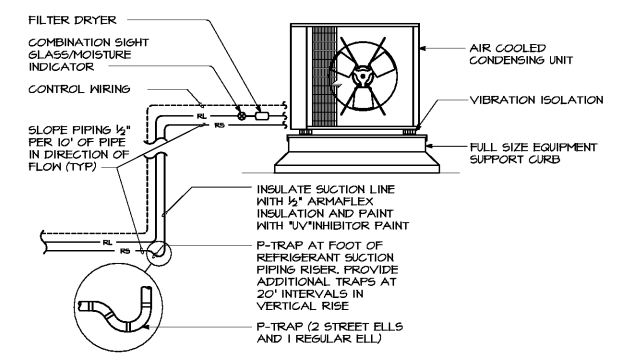


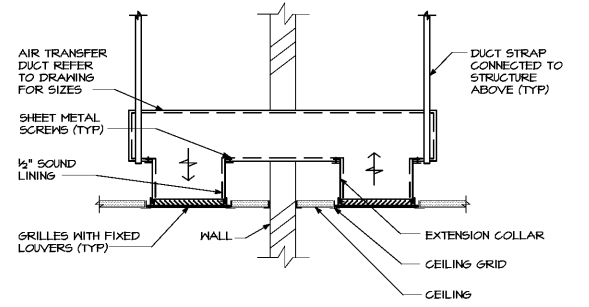
**DETAIL - CONDENSATE DRAIN TRAP**  
 NO SCALE

- NOTES:
1. CONTRACTOR SHALL SLOPE PIPING DOWN TOWARDS PLUMBING DRAIN.
  2. RUNNING TRAPS ARE NOT ALLOWED.
  3. CONTRACTOR SHALL TEST FLOAT SWITCH IN THE DRAIN PAN FOR PROPER OPERATION.

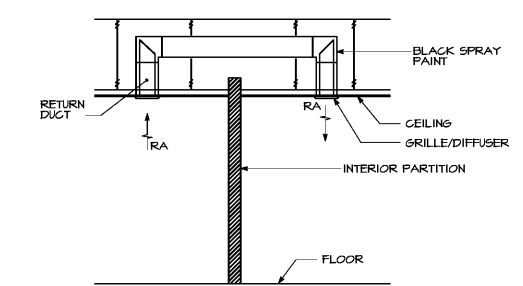


**DETAIL - HORIZONTAL DISCHARGE ROOF MOUNTED CONDENSING UNIT**  
 NO SCALE

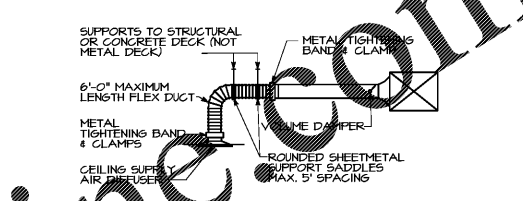
- NOTE:
1. PAINT EXTERIOR REFRIGERANT PIPING WITH 1/4" INHIBITOR PAINT



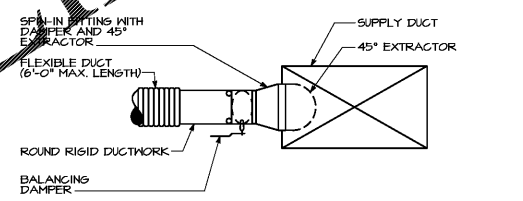
**DETAIL - AIR TRANSFER DUCT THRU WALL WITH GRILLES**  
 NO SCALE



**DETAIL - TRANSFER DUCT**  
 NO SCALE

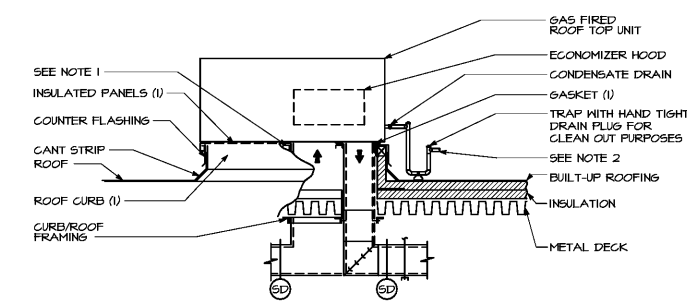


**DETAIL - ROUND NECK DIFFUSER**  
 NO SCALE (SECTION VIEW)



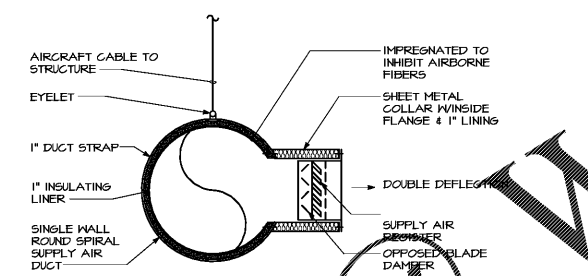
**DETAIL - SPIN-IN FITTING**  
 NO SCALE

- NOTES:
1. USE SPIN-IN FITTING WHERE TAP SIZE IS 2" SMALLER THAN DUCT RAIL DIMENSION.
  2. USE BELLMOUTH FITTING WHERE TAP SIZE IS 3" SMALLER THAN DUCT RAIL DIMENSION.
  3. ALL CONNECTIONS SHALL BE CONSISTENT WITH FIRE RATINGS.

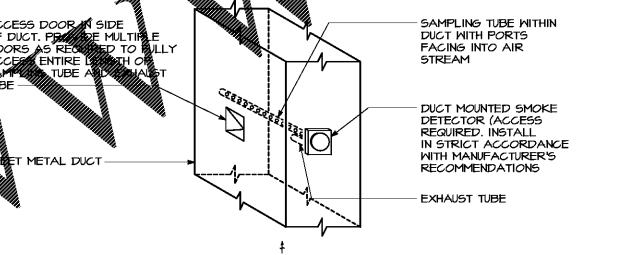


**DETAIL - ROOFTOP UNIT INSTALLATION**  
 NO SCALE

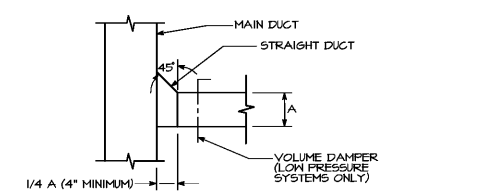
- NOTES:
1. FILL THE REMAINING PORTION OF ROOF CURB OPENING WITH MIN 12" THICKNESS FIBERGLASS INSULATION MATERIAL.
  2. TRAP AND PIPING SHALL BE SAME SIZE AS UNIT CONNECTION - ROUTE TO NEAREST PLUMBING DRAIN - SEE PLANS FOR CONTINUATION.
  3. COORDINATE STRUCTURAL AND ROOFING REQUIREMENTS W/ LANDLORD AND GENERAL CONTRACTOR.
  4. CONTRACTOR SHALL BE RESPONSIBLE TO FOLLOW STRUCTURAL DRAWINGS/SKETCHES FOR PROPER SUPPORT OF ROOF MOUNTED UNIT. THIS DETAIL IS FOR GENERAL REFERENCE PURPOSES ONLY.



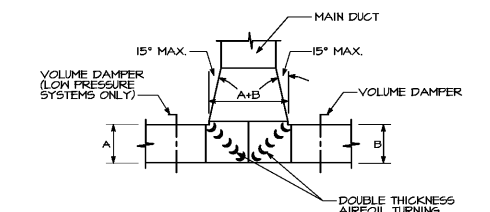
**DETAIL - EXPOSED SPIRAL DUCT WITH SUPPLY AIR REGISTER**  
 NO SCALE



**DETAIL - SMOKE DETECTOR INSTALLATION**  
 NO SCALE

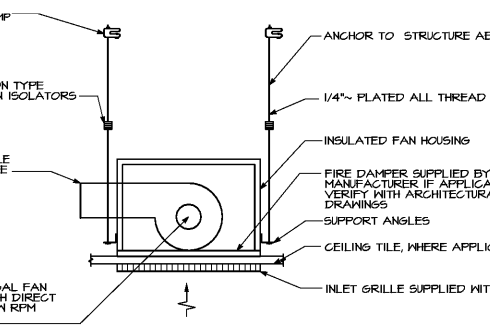


**DETAIL - MINOR DUCT BRANCH**  
 NO SCALE

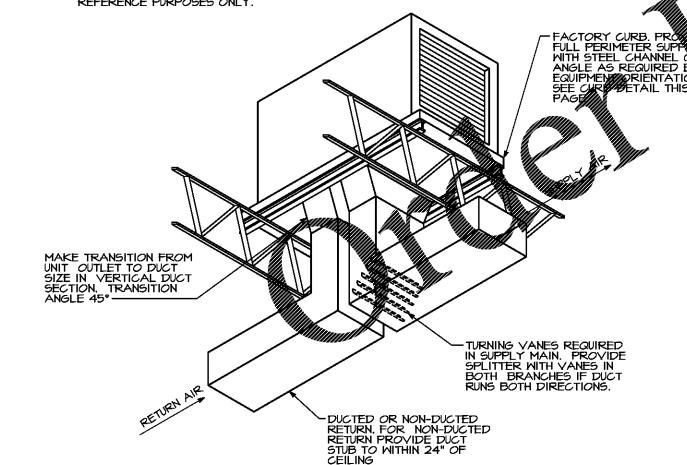


**DETAIL - RECTANGULAR ELBOW DUCT TEE**  
 NO SCALE

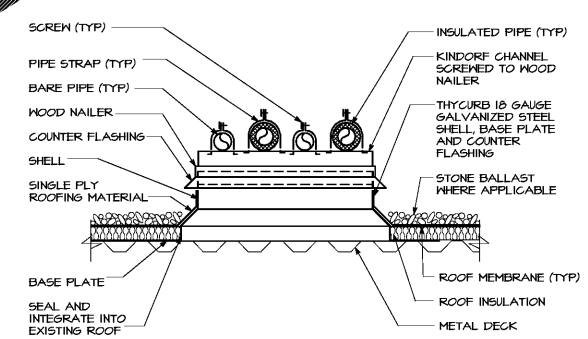
- NOTE: THIS DETAIL APPLIES TO BOTH ELBOWS & TEES IN VERTICAL AND HORIZONTAL APPLICATIONS.



**DETAIL - CEILING MOUNTED VENTILATION FAN**  
 NO SCALE

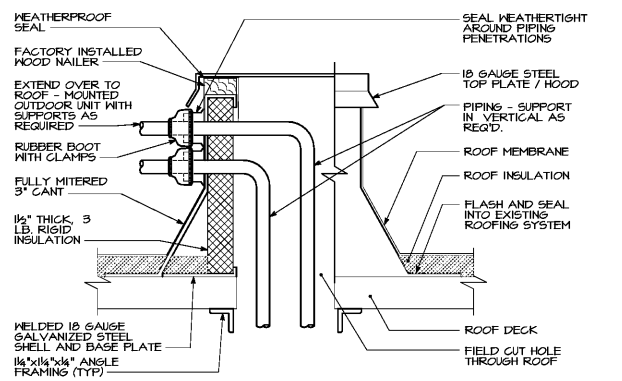


**DETAIL - ROOFTOP UNIT DUCTING/MOUNTING**  
 NO SCALE



**DETAIL - PIPE SUPPORT ON ROOF**  
 NO SCALE

- NOTES:
1. ROOFING CONTRACTOR TO INSTALL ROOF CURB AND MECHANICAL CONTRACTOR SHALL SUPERVISE THE INSTALLATION AND PAY ALL COSTS.
  2. FINISH OF TOP PLATE/HOOD SHALL BE SELECTED BY ARCHITECT.



**DETAIL - PIPING CURB INSTALLATION**  
 NO SCALE

- NOTES:
1. ROOFING CONTRACTOR TO INSTALL ROOF CURB AND MECHANICAL CONTRACTOR SHALL SUPERVISE THE INSTALLATION AND PAY ALL COSTS.
  2. FINISH OF TOP PLATE/HOOD SHALL BE SELECTED BY ARCHITECT.

Order Plans