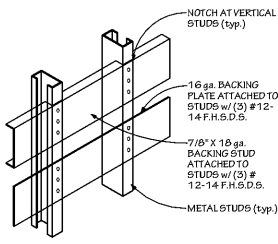


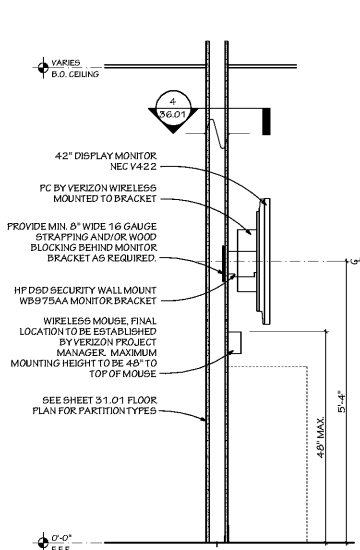
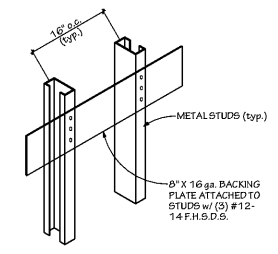
NOTES:

1. BLOCKING FOR UPPER WALL HUNG CABINETS (UP TO 2 SHELVES) BASE CABINETS, FULL HEIGHT CABINETS, HANDRAILS, GUARDRAILS, GRAB BARS, WALL HUNG EQUIPMENT, ETC. (max.) WEIGHT 250 LBS./FT.
2. SEE TYPICAL WALL FRAMING FOR GAUGE OF STUDS, VERIFY LENGTH, HEIGHT, LOCATION OF BLOCKING PLATE AND NUMBER.
3. USE #12 SELF TAPPING SHEET METAL SCREWS WHEN ATTACHING ITEMS TO BLOCKING PLATE.
4. WALL STUD FLANGES ARE CONTINUOUS AT BACKING STUD OR PLATE.

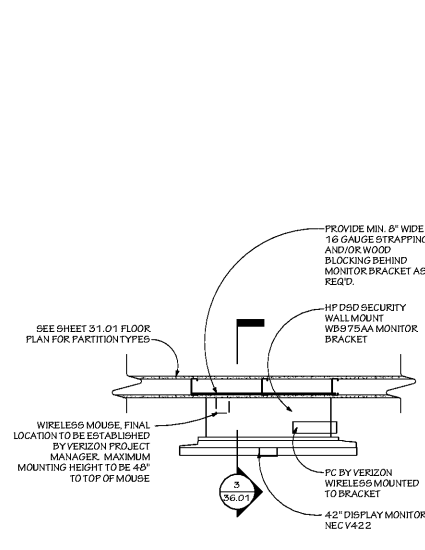


NOTES:

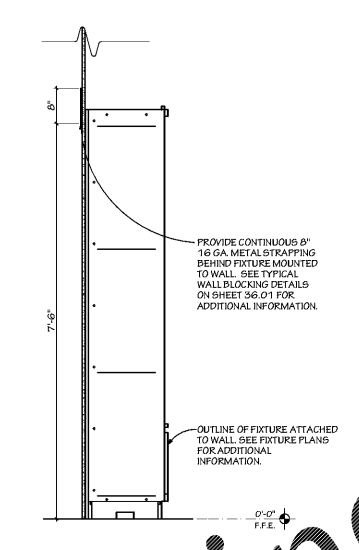
1. BLOCKING FOR MISC. ITEMS, IE SURFACE MTD. MIRRORS, WASTE RECEPTACLES, TOWEL DISPENSERS, ETC. (max.) WEIGHT 60 LBS.
2. SEE TYPICAL WALL FRAMING FOR GAUGE OF STUDS, VERIFY LENGTH, HEIGHT, LOCATION OF BLOCKING PLATE AND NUMBER.
3. USE #12 SELF TAPPING SHEET METAL SCREWS WHEN ATTACHING ITEMS TO BLOCKING PLATE.
4. WALL STUD FLANGES ARE CONTINUOUS AT BACKING STUD OR PLATE.



3 SECURITY MONITOR DISPLAY SECTION
SCALE: 3/4\"/>



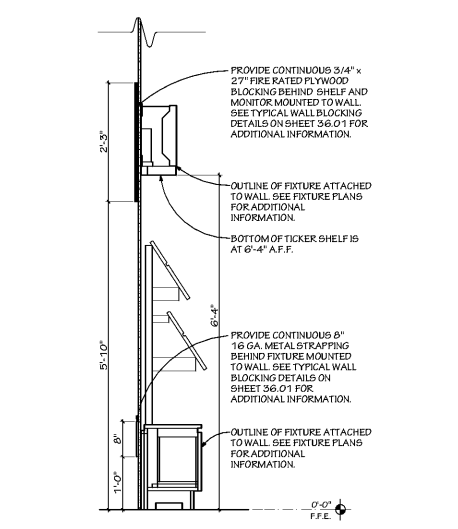
4 SMART BOARD/SECURITY MONITOR DISPLAY PLAN
SCALE: 3/4\"/>



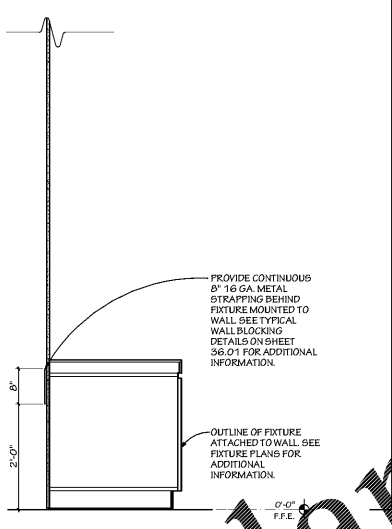
5 WALL CASE DISPLAY SECTION
SCALE: 3/4\"/>

1 TYPICAL SLIDE CLIP DETAIL
SCALE: 3\"/>

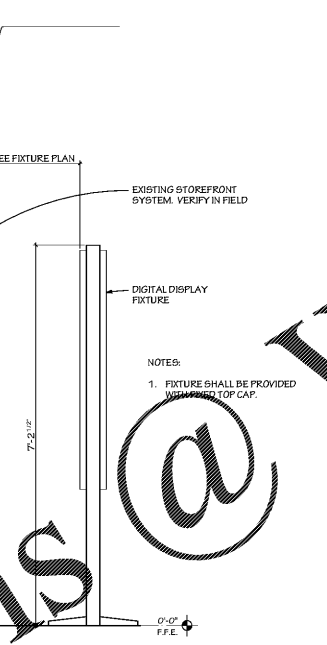
2 TYPICAL WALL BLOCKING DETAILS
SCALE: 3/4\"/>



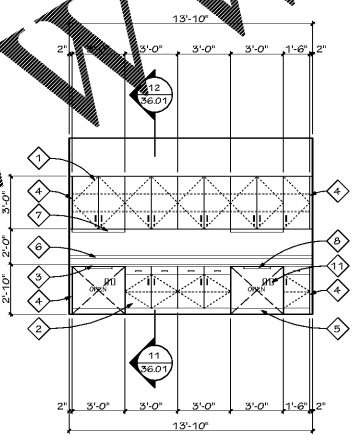
6 DEVICE RACK FIXTURE w/SHELF AND MONITOR DISPLAY SECTION
SCALE: 3/4\"/>



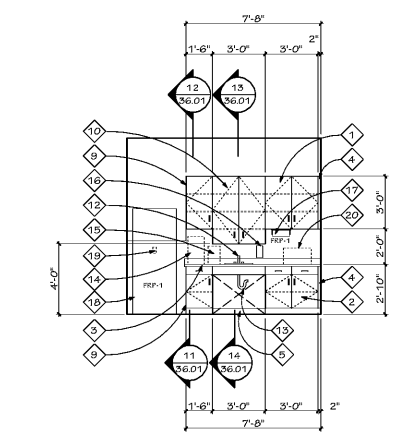
7 WORKSTATION POS SECTION
SCALE: 3/4\"/>



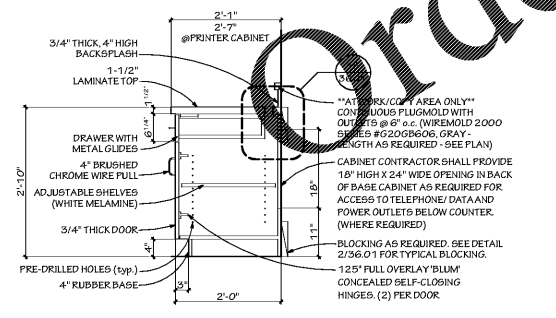
8 DIGITAL DISPLAY SECTION
SCALE: 3/4\"/>



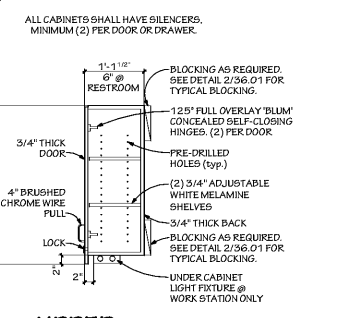
9 INTERIOR ELEVATION - WORK AREA
SCALE: 1/4\"/>



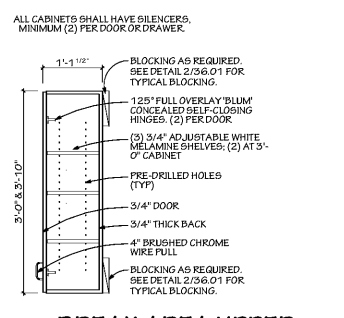
10 INTERIOR ELEVATION - BREAK AREA
SCALE: 1/4\"/>



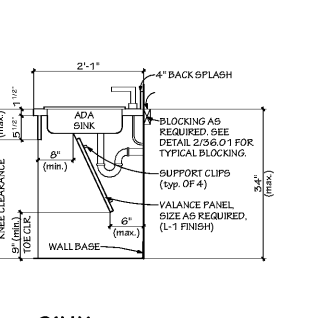
11 BASE CABINET SECTION
SCALE: 3/4\"/>



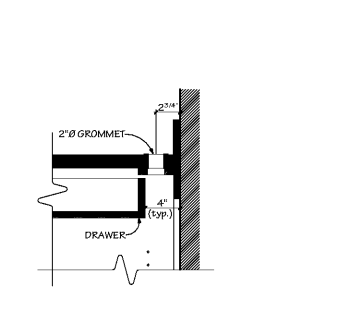
12 UPPER CABINET SECTION
SCALE: 3/4\"/>



13 BREAK AREA UPPER CABINET SECTION
SCALE: 3/4\"/>



14 SINK CLEARANCE DETAIL
SCALE: 3/4\"/>



15 TYP. GROMMET DETAIL
SCALE: 1-1/2\"/>

GENERAL NOTES

THIS SHEET ONLY

1. ALL CABINETS AND DRAWERS SHALL HAVE SILENCERS, MINIMUM (2) PER DOOR OR DRAWER.
2. ALL UPPER CABINET DOORS WITHIN OPERATIONS AREA SHALL BE EQUIPPED WITH SELF-LOCKING CABINET LOCKS. ALL CABINETS SHALL BE KEYPAD ALIKE, EXCEPT FOR LOCKERS. ALL LOCKERS SHALL BE KEYPAD SEPARATELY AND HAVE (1) MASTER KEY.
3. CABINET CONTRACTOR SHALL PROVIDE OPENING IN BACK OF BASE CABINETS (WHERE SHOWN) AS REQUIRED FOR POWER (V.I.F.), EXCEPT BREAK AREA. SHALL HAVE NO OPENING IN BACK OF BASE CABINET.
4. CABINETS WITHIN BREAK AREA SHALL HAVE NO LOCKS, NO OPENING IN BACK OF BASE CABINET AND 5-1/2\"/>

KEYNOTES

THIS SHEET ONLY

1. UPPER CABINETS WITH (2) ADJUSTABLE SHELVES (L-1 FINISH ON CABINETS).
2. 24\"/>



Buildings Group
MRA ARCHITECTURAL SERVICES, INC.
Architects, Planners, Urban Designers, Landscape Architects, Engineers and Surveyors
1414 Key Highway, Suite M301
Baltimore, Maryland 21239
443-490-7281



TELEBENT ENGINEERING INC.
2216 COMMERCE ROAD
FOREST HILL, MD 21050
PHONE: 410-692-2816
FAX: 410-692-5853
WWW.TE-ENG.COM

Client
Verizon
Jared Vieg
3700 Arco Corporate Drive
Charlotte, North Carolina 28273

Verizon
Simpsonville
NextGen
340 Harrison Bridge Road
Simpsonville, SC 29680

© CONTENTS COPY RIGHT 2020
MRA ARCHITECTURAL SERVICES, INC.

NO.	REVISION	DATE
FILE	DRAWN	ISSUED
17759x101	SKJ	06/19/2020

Fixture Sections, Casework & Details

SHEET NUMBER

36.01

Permit Documents

Order Plans @ WWW.LDILine.com