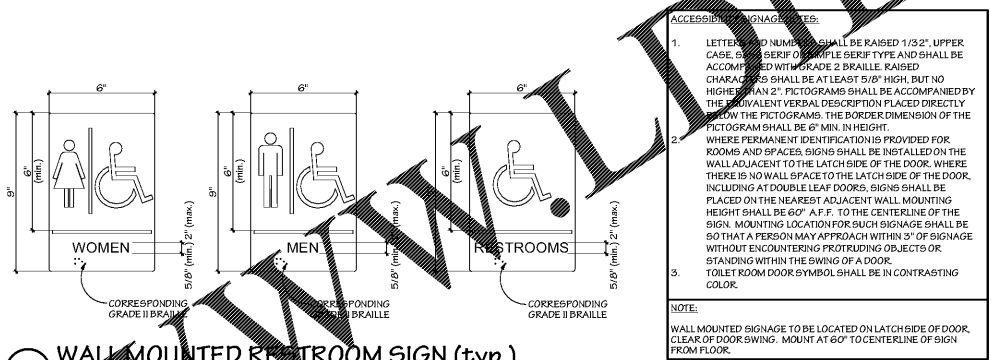
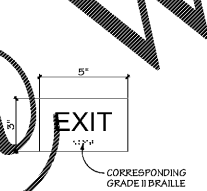


2 TYPICAL FIXTURE MOUNTING HEIGHTS
SCALE: 1/2" = 1'-0"



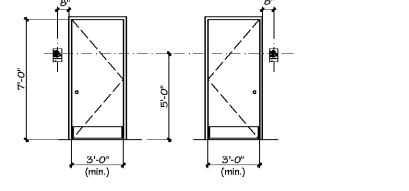
A WALL MOUNTED RESTROOM SIGN (typ.)
SCALE: 3" = 1'-0"



B TACTILE SIGN
SCALE: 3" = 1'-0"



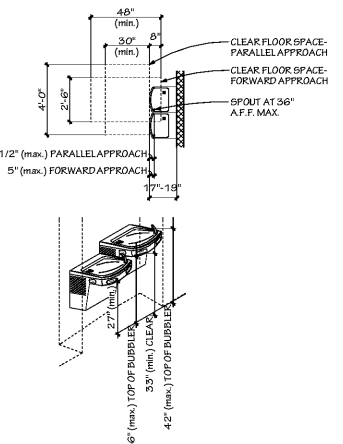
C INTERNATIONAL ACCESSIBILITY SYMBOL
SCALE: 3" = 1'-0"



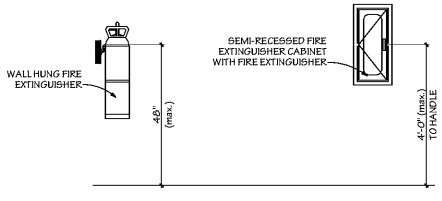
D TYPICAL MOUNTING HEIGHTS
SCALE: 1/4" = 1'-0"

3 TYPICAL SIGN DETAILS
SCALE: 3" = 1'-0"

DRINKING FOUNTAIN NOTE:
IF THE WATER COOLER IS LOCATED IN THE PATH OF TRAVEL, i.e. NOT LOCATED IN AN ALCOVE, PROVIDE CANE DETECTION APRON ON HIGHER DRINKING FOUNTAIN BUBBLER IS TO BE ACTIVATED BY A HANDICAP PUSH BAR ON FRONT FACE OF UNIT. WATER COOLERS ARE TO BE LOCATED WITHIN ALCOVES SO AS NOT TO BE IN THE CORRIDOR WALK. COOLERS MUST BE APPROACHED FROM THE FRONT. WATER COOLER SHALL CONFORM TO REQUIREMENTS OF THE 2010 ADA STANDARDS FOR ACCESSIBLE DESIGN.



4 TYPICAL DRINKING FOUNTAIN NOTES
SCALE: 1/4" = 1'-0"



5 FIRE EXTINGUISHER DETAILS
SCALE: 1/2" = 1'-0"

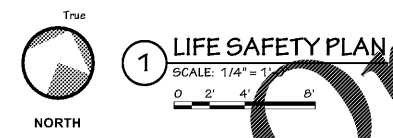
GROUND FLOOR EXIT TRAVEL DISTANCE CHART

EXIT ACCESS TRAVEL DISTANCE ALLOWED:
200 FEET W/O SPRINKLER, 250 FEET W/SPRINKLER
COMMON PATH OF TRAVEL ALLOWED: 75 FEET

EXIT PATH START POINT	EXIT NUMBER	TOTAL DISTANCE TO EXIT	NOTES
A	EXIT #1	65'-11"	NEW
	EXIT #3	68'-7"	EXISTING
B	EXIT #1	34'-2"	NEW
	EXIT #2	46'-8"	EXISTING
	EXIT #3	51'-10"	EXISTING

GROUND FLOOR OCCUPANT LOAD CALCULATIONS AND LEGEND
THIS SHEET ONLY

DESCRIPTION	SF	(1) OCC / sq SF	OCCUPANTS
MERCANTILE	1,996 SF	(1) OCC / 60 SF	= 34 OCC
BUSINESS	914 SF	(1) OCC / 100 SF	= 10 OCC
STORAGE/TELECOM/ELECTRICAL AREAS	363 SF	(1) OCC / 300 SF	= 2 OCC
ASSEMBLY, CONCENTRATED	41 SF	(1) OCC / 7 SF	= 6 OCC
TOTAL OCCUPANT LOAD			= 52 OCC
REQUIRED EGRESS WIDTH (INCHES)			= 10.4"
PROVIDED EGRESS WIDTH (INCHES)			= 13.6"



Order Plans