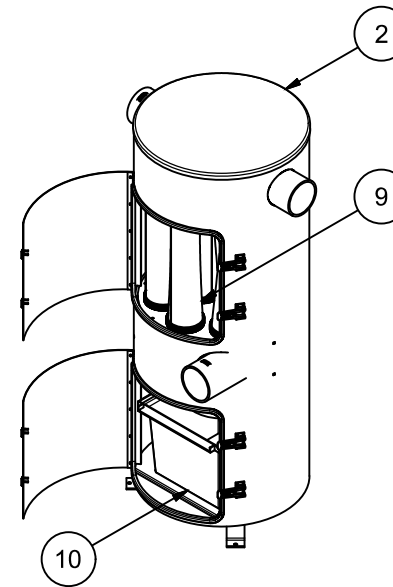
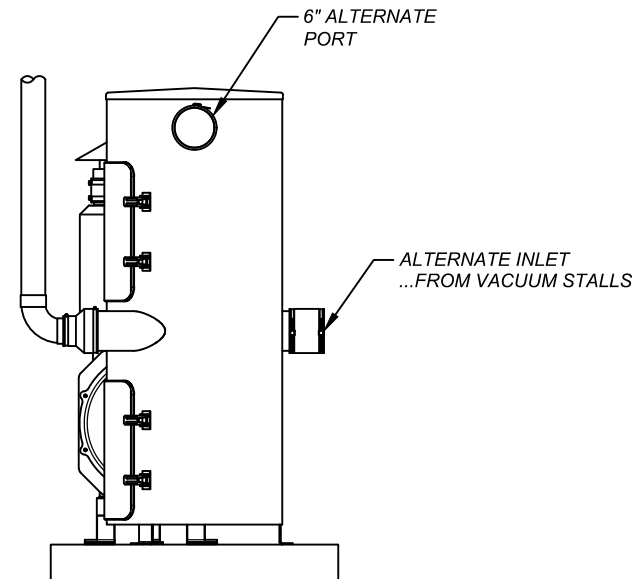
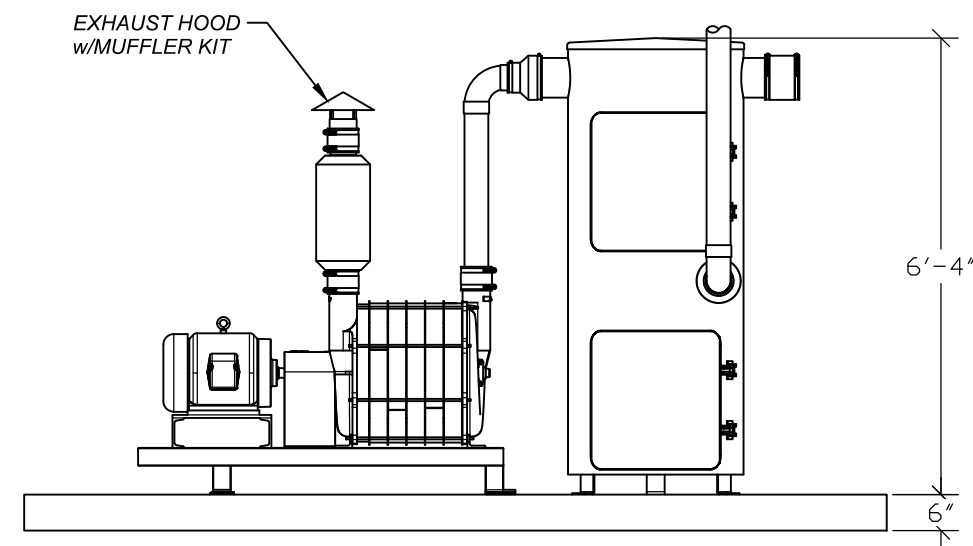


PARTS LIST	
ITEM	DESCRIPTION
1	6" x 4" Reducer Coupling
2	Vacuum Separator Universal w/10 Bags
3	Vacuum, Turbine 4" Kit
4	Vacuum, 25hp Producer w/Tank
5	Concrete Pad for Vacuum Producers
6	4" Schedule 40 PVC 90deg Elbow
7	4" Schedule 40 PVC Pipe
8	6" Coupler
9	Vacuum Separator Filter Bag 6inD x 32inL
10	Vacuum Separator Debris Cleanout Tank



NOT FOR CONSTRUCTION UNTIL APPROVED BELOW.

APPROVED BY. _____ DATE _____

DISCLAIMER
ALTHOUGH BUILDING CODES HAVE BEEN CONSIDERED IN DEVELOPING THIS DRAWING, VERIFICATION OF SITE SPECIFIC CONDITIONS AND COMPLIANCE WITH FEDERAL, STATE AND LOCAL BUILDING CODES IS THE EXCLUSIVE RESPONSIBILITY OF THE CUSTOMER AND/OR ARCHITECT AND ENGINEER. THESE DRAWINGS REFLECT REQUIREMENTS FOR SONNY'S FURNISHED EQUIPMENT ONLY UNLESS OTHERWISE NOTED. PLEASE REFER TO OTHER MANUFACTURERS, IF ANY, FOR THEIR EQUIPMENT REQUIREMENTS.

CONFIDENTIAL WARNING:
THIS SHEET CONTAINS AND CONSTITUTES CONFIDENTIAL INFORMATION, IMAGES AND TRADE SECRETS OF SONNY'S ENTERPRISES INC. ANY UNAUTHORIZED USE OR DISCLOSURE OF ANY OR PORTION THEREOF, IS STRICTLY PROHIBITED. THIS WORK IS THE EXCLUSIVE PROPERTY OF SONNY'S ENTERPRISES INC. ALL RIGHTS RESERVED.

19581-D9-CALIBER LAKE WALES

SCALE: N.T.S.

LOCATION: -FL-

Sheet	Rev.
10.8	--

VAC. PRODUCER ASSEMBLY DETAIL; GC



© 2020 SONNY'S ENTERPRISES, INC. 5605 Hiatus Road, Tamarac, FL. 33321 USA. TEL. 800-327-8723

DATE: 09.25.19
REVISION DATE: 03.06.20
CREATED BY: LV
REVISED BY: FAO
CHECKED BY: Luis V.