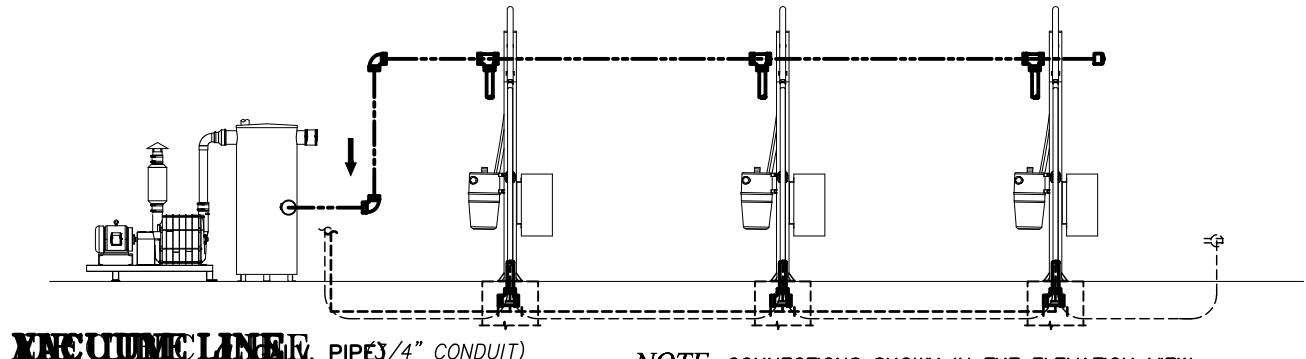


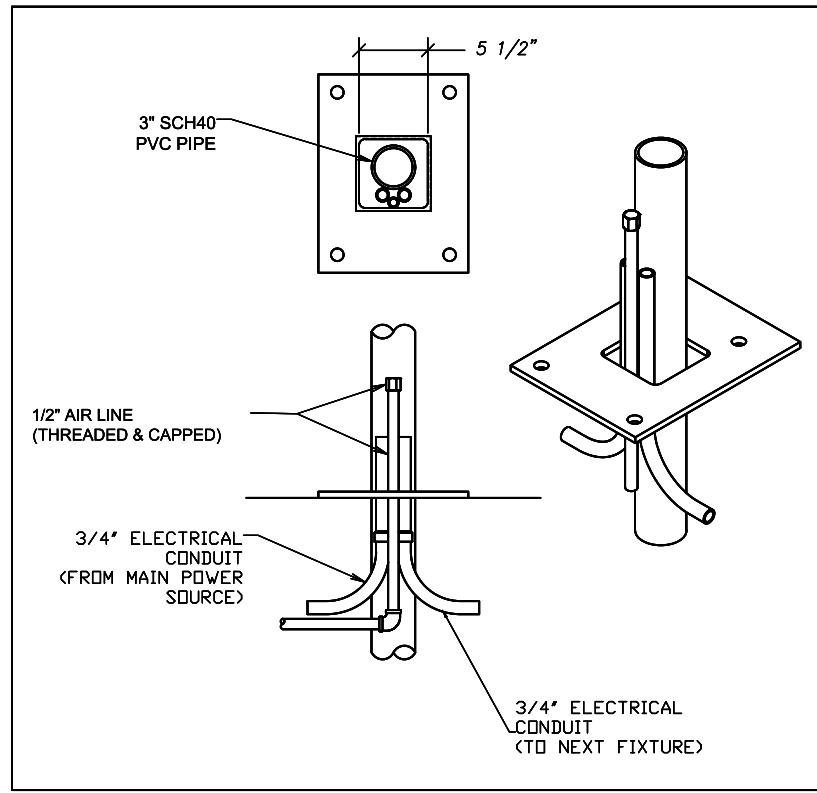
VACUUM LINE (PIPE) 1/4" CONDUIT)

NOTE: CONNECTIONS SHOWN IN THE ELEVATION VIEW ARE SCHEMATIC ONLY. REFER TO PLAN VIEWS FOR PLACEMENT.



VACUUM LINE (PIPE) 1/4" CONDUIT)

NOTE: CONNECTIONS SHOWN IN THE ELEVATION VIEW ARE SCHEMATIC ONLY. REFER TO PLAN VIEWS FOR PLACEMENT.



NOT FOR CONSTRUCTION UNTIL APPROVED BELOW.

APPROVED BY: _____ DATE _____

DISCLAIMER
ALTHOUGH BUILDING CODES HAVE BEEN CONSIDERED IN DEVELOPING THIS DRAWING, VERIFICATION OF SITE SPECIFIC CONDITIONS AND COMPLIANCE WITH FEDERAL, STATE AND LOCAL BUILDING CODES IS THE EXCLUSIVE RESPONSIBILITY OF THE CUSTOMER AND/OR ARCHITECT AND ENGINEER. THESE DRAWINGS REFLECT REQUIREMENTS FOR SONNY'S FURNISHED EQUIPMENT ONLY UNLESS OTHERWISE NOTED. PLEASE REFER TO OTHER MANUFACTURERS, IF ANY, FOR THEIR EQUIPMENT REQUIREMENTS.

CONFIDENTIAL WARNING:
THIS SHEET CONTAINS AND CONSTITUTES CONFIDENTIAL INFORMATION, IMAGES AND TRADE SECRETS OF SONNY'S ENTERPRISES INC. ANY UNAUTHORIZED USE OR DISCLOSURE OF ANY OR PORTION THEREOF, IS STRICTLY PROHIBITED. THIS WORK IS THE EXCLUSIVE PROPERTY OF SONNY'S ENTERPRISES INC. ALL RIGHTS RESERVED.

19581-D9-CALIBER LAKE WALES

SCALE: N.T.S. LOCATION: -FL-

Sheet	Rev.
10.1	+-

VACUUM LAYOUT; GC

DATE:	09.25.19
REVISION DATE:	03.09.20
CREATED BY:	LV
REVISED BY:	
CHECKED BY:	Luis V.

SONNY'S
The CarWash Factory
<http://www.SonnysDirect.com>

© 2020 SONNY'S ENTERPRISES, INC. 5605 Hiatus Road, Tamarac, FL 33321 USA. TEL. 800-327-8723